

Roof Exhausters

MODEL NV8 – INDUSTRIAL ROOF EXHAUSTER – BELT DRIVE

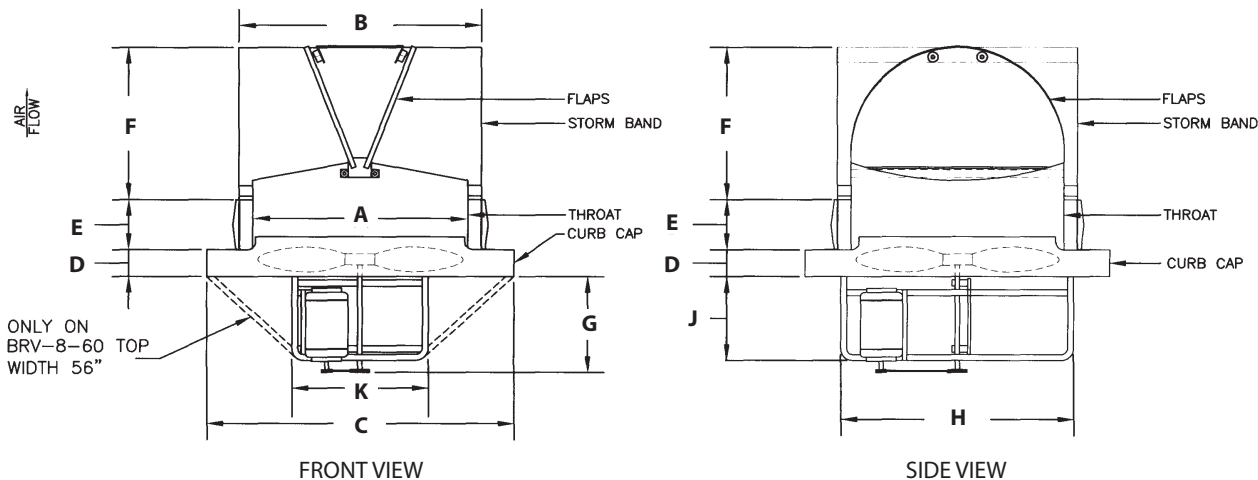


APPLICATION

Designed for general ventilation in production or warehouse areas where efficient, quiet air flow is required.

FEATURES AND BENEFITS

- Ruggedly constructed steel curb cap including spun venturi section for efficient air flow.
- Heavy gauge fabricated steel propellers are standard.
- Cast aluminum spark-resistant propellers available for hazardous locations.
- Butterfly damper section, mill galvanized construction, with damper blades that open when fan is energized and close weather-tight when unit is off. Dampers rotate in nylon bearings on a stainless steel axle.
- Belt driven for quiet operation.
- Industrial grade cast iron pillow block ball bearings with locking collars.



DIMENSIONS **subject to change without notice*

MODEL	A	B	C	D	E	F	G	H	J	K	HP
NV824	25"	30"	39" sq.	2 1/2"	3"	19"	16 3/4"	28"	10 1/2"	15 1/2"	1/3-3/4
NV830	31"	36"	45" sq.	2 1/2"	3"	22"	17 3/4"	34"	10 1/2"	15 1/2"	1/2-1 1/2
NV836	37"	42"	51" sq.	2 1/2"	3"	25"	18 3/4"	39 1/2"	12 1/2"	20 1/4"	1/2-2
NV842	43"	48"	57" sq.	2 1/2"	3"	27"	18 3/4"	45 1/2"	12 1/2"	20 1/4"	3/4-3
NV848	49"	54"	63" sq.	2 1/2"	3"	30"	21 3/4"	51 1/2"	15 1/2"	20 1/4"	3/4-5
NV854	55"	60"	69" sq.	2 1/2"	3"	36"	23 3/4"	57 1/2"	18"	27 1/4"	1-5
NV860	61"	66"	75" sq.	2 1/2"	3"	42"	23 3/4"	63 1/2"	18"	27 1/4"	1 1/2-5

OPTIONAL ACCESSORIES

- Weatherproof non-fused disconnect switches
- Insulated roof curbs for flat or pitched roofs



MODEL NV8 – INDUSTRIAL ROOF EXHAUSTER – BELT DRIVE

PERFORMANCE DATA

Blade Dia.	Model	Prop	HP	RPM	Free Air	CAPACITY C.F.M.			
						1/8" SP	1/4" SP	3/8" SP	1/2" SP
24"	NV824-B	S-24	1/3	780	4900	4222	2807	1576	800
	NV824-C	S-24	1/2	980	6219	5716	5661	4043	2600
	NV824-D	S-24	3/4	1140	7090	6648	6144	5518	4413
30"	NV830-C	S-30	1/2	640	8507	7170	4486	2724	1373
	NV830-D	S-30	3/4	770	10235	9192	7657	5108	3833
	NV830-E	X-30	1	975	10668	9959	8626	6828	5184
	NV830-F	X-30	1 1/2	1140	12473	11867	11112	9656	8135
36"	NV836-C	S-36	1/2	530	10500	8821	5985	3642	2084
	NV836-D	S-36	3/4	605	11985	10583	8563	5545	4017
	NV836-E	S-36	1	665	13174	11932	10299	7913	5729
	NV836-F	X-36	1 1/2	720	13660	12012	9579	7240	5000
	NV836-G	X-36	2	870	16554	15376	14088	11942	9691
42"	NV842-D	S-42	3/4	435	14040	11530	7633	4847	3311
	NV842-E	S-42	1	490	15429	13194	10438	6414	4668
	NV842-F	S-42	1 1/2	550	17420	15421	13117	9980	7289
	NV842-G	X-42	2	725	20653	19128	17503	15264	11319
	NV842-H	X-42	3	830	23645	22296	20984	19406	17290
48"	NV848-D	S-48	3/4	370	17339	13700	7389	4238	2244
	NV848-E	S-48	1	410	19188	16078	10903	6378	4037
	NV848-F	S-48	1 1/2	465	21731	19010	14991	10950	7081
	NV848-G	S-48	2	520	24274	21943	19080	15532	10125
	NV848-H	X-48	3	680	28150	25683	23615	20820	16930
	NV848-I	X-48	5	800	33160	30900	29290	27380	25000
54"	NV854-E	X-54	1	410	23130	20588	17500	11640	9600
	NV854-F	X-54	1 1/2	450	25400	22600	19300	12782	10316
	NV854-G	X-54	2	480	27200	24312	20660	13642	11010
	NV854-H	X-54	3	550	31213	28722	25830	21730	15420
	NV854-I	X-54	5	660	37458	35238	32843	30298	26538
60"	NV860-F	X-60	1 1/2	340	28068	23203	15624	11434	8000
	NV860-G	X-60	2	390	32200	26710	17924	13118	9380
	NV860-H	X-60	3	450	37183	32356	25324	18705	15013
	NV860-I	X-60	5	540	44600	41232	35819	29000	23237

MODEL NUMBER SCHEMATIC

