

# Roof Exhausters

## MODEL NBV – INDUSTRIAL ROOF EXHAUSTER – BELT DRIVE

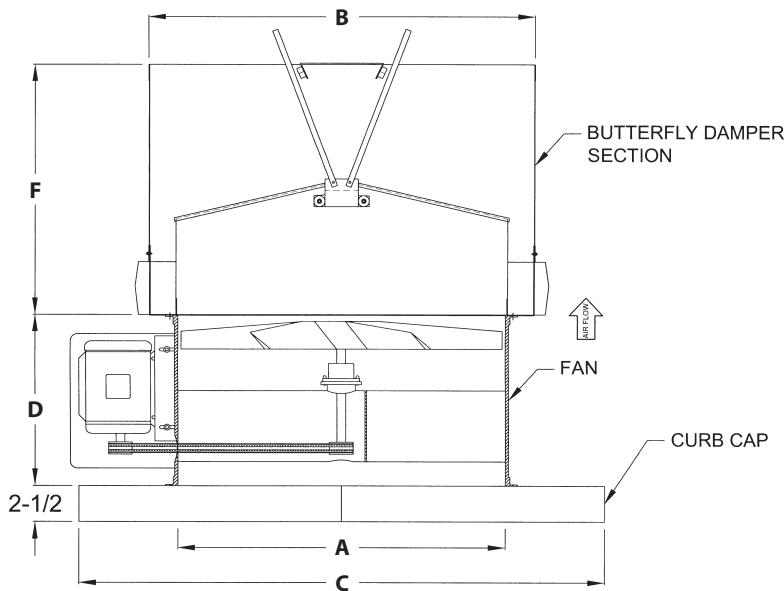


### APPLICATION

Designed for smoke, heat and fume removal in situations requiring the motor and drive components to be located outside the airstream.

### FEATURES AND BENEFITS

- Utilizes Model B tube axial duct fan with cast aluminum spark-resistant propeller standard.
- Heavy gauge curb cap continuously welded to prevent water penetration.
- Butterfly damper section, mill galvanized construction, with damper blades that open when fan is energized and close weather-tight when unit is off. Dampers rotate in nylon bearings on a stainless steel axle.
- Butterfly damper section removable as a complete unit for access to propeller.
- Combination weather cover/belt guard.
- Motor and drive components located outside the airstream.
- Fan suitable for use in dry environments up to 180°F.



### OPTIONAL ACCESSORIES

- Weatherproof non-fused disconnect switches
- Insulated roof curbs for flat or pitched roofs

### DIMENSIONS *\*subject to change without notice*

MODEL	A	B	C	D	F	HP
NBV18	18"	24"	33" sq.	12"	20"	1/3-1 1/2
NBV24	24"	30"	39" sq.	12"	24"	3/4-1
NBV24	24"	30"	39" sq.	16"	24"	1 1/2-3
NBV30	30"	36"	45" sq.	16"	26"	1-5

MODEL	A	B	C	D	F	HP
NBV34	34"	40"	49" sq.	16"	29"	2-5
NBV36	36"	42"	51" sq.	18"	30 1/2"	3-7 1/2
NBV42	42"	48"	57" sq.	18"	33"	2-5



# MODEL NBV- INDUSTRIAL ROOF EXHAUSTER – BELT DRIVE

## PERFORMANCE DATA

Blade Dia.	Model	Prop	HP	RPM	Free Air	CAPACITY C.F.M.							
						1/8" SP	1/4" SP	3/8" SP	1/2" SP	3/4" SP	1" SP	1-1/4" SP	1-1/2" SP
18"	NBV18-B	CA235	1/3	1725	3375	3000	2600	2000	1400	---	---	---	---
	NBV18-C	CA235	1/2	1890	3850	3500	3100	2500	2000	---	---	---	---
	NBV18-D	CA107	3/4	1600	4100	3985	3440	3050	2500	---	---	---	---
	NBV18-E	CA107	1	1725	4600	4375	4080	3600	3000	2100	1550	---	---
	NBV18-F	CA107	1-1/2	1990	5350	5060	4830	4550	3950	3000	2500	---	---
	24"	NBV24-D	CA144	3/4	1600	6906	6510	5900	5440	4650	2750	---	---
NBV24-E		CA144	1	1725	7425	7000	6350	5850	5000	3300	1775	---	---
NBPV24-F		CA196	1-1/2	1540	8200	7900	7650	7280	6850	5500	---	---	---
NBV24-G		CA191	2	1600	9760	9114	8830	8460	8090	7000	4400	---	---
NBV24-H		CA191	3	1725	10500	9800	9500	9100	8700	7800	5000	3600	---
30"	NBV30-E	CA113	1	1298	9897	8970	7980	6050	4120	---	---	---	---
	NBPV30-F	CA115	1-1/2	1035	11100	10600	9700	8600	7500	3500	---	---	---
	NBPV30-G	CA115	2	1176	12100	11660	11000	10121	9322	6700	---	---	---
	NBV30-H	CA115	3	1350	13480	12982	12498	12042	11465	10380	9470	7500	---
	NBV30-I	CA115	5	1650	16440	15832	15242	14686	13982	12659	11550	9200	---
34"	NBV34-G	CA190	2	1027	14657	13652	12590	11500	10000	8000	---	---	---
	NBV34-H	CA190	3	1175	17580	16750	15896	14600	14095	12000	9500	---	---
	NBV34-I	CA190	5	1416	20500	19800	19000	18325	17500	16000	14200	12250	---
36"	NBPV36-H	CA198	3	930	17500	16800	15900	14740	14100	12200	---	---	---
	NBPV36-I	CA198	5	1100	20600	19950	19200	18500	17800	16020	14300	---	---
	NBPV36-J	CA198	7-1/2	1250	22500	21900	21200	20750	20050	19008	17000	15200	---
42"	NBPV42-G	CA119	2	820	20700	18900	17002	14700	11400	4000	---	---	---
	NBPV42-H	CA119	3	890	23700	22100	20200	18960	16970	9950	3600	---	---
	NBPV42-I	CA199	5	850	26900	25600	24403	23450	22250	18400	13900	---	---

## MODEL NUMBER SCHEMATIC

