



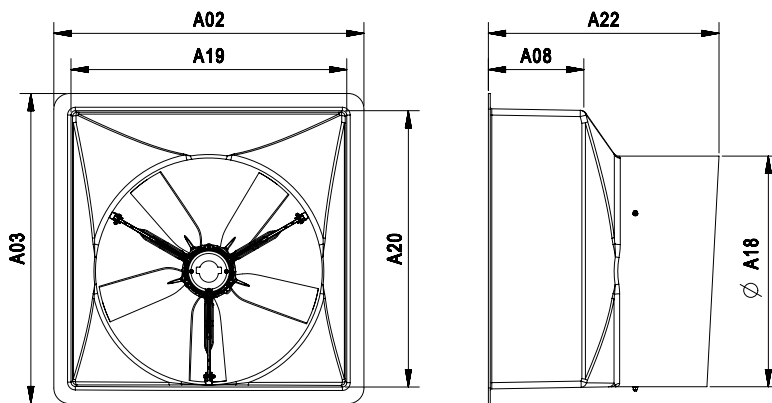
System-4

The System 4 is a economical fan package, including fan, housing, wireguard and shutter. Flush mounting housing designed to slide through the wall leaves flat square sides where the housing is in contact with the wall. This allows for a clean neat finished look, while providing air flow directly away from the building, keeping walls clean and dry. The system is CSA approved, with a TEAO, washdown capable, motor and polypropylene impeller.

Advantages:

- The variable speed motor of each fan is designed to turn a specific blade to achieve optimum efficiency
- Each motor is totally enclosed in an air-over design (TEAO) with die cast aluminium housing, featuring automatic thermal protection and heat resistance to 311°F
- All fan motors carry a 3-year warranty
- Outer fan housing is UV-treated polyethylene; sturdy and corrosion-free
- New slant design projects 12" outside of barn
- Condensation flows down and away from barn, keeping walls clean and dry
- Inside mounting is flush, eliminating obstructions along walkways
- Aerodynamic housing funnel encourages free air flow
- CSA approved

Dimensions



Dimensions (inch)							
∅ (inch)	A02	A03	A08	A18	A19	A20	A22
12	19.3	19.3	9.5	12.8	15.0	15.0	24.0
16	23.3	23.3	9.0	17.0	19.0	19.0	24.0
18	25.3	25.3	9.0	19.0	21.0	21.0	25.0
20	27.3	27.3	9.0	21.0	23.0	23.0	25.3
24	35.8	35.8	9.0	25.0	31.5	31.5	27.6
28	39.0	39.0	12.0	29.0	34.8	34.8	29.0
36	44.5	44.5	12.0	36.0	40.0	40.0	30.0

Technical data

	Partnumber	Ø impeller (inch)	RPM	I _{nom} (A)	I _{max} (A)	P _{in} (W)	CFM		Controllability**
							at 0" S.P.	at 0.20" S.P.	
1~120V 60 HZ	S4124E1I	12	1655	1.0	1.2	100	1,300	1,100	E/T
	S4164E1I	16	1635	2.2	2.5	250	2,950	2,550	E/T
	S4184E1I	18	1655	2.9	3.2	300	3,750	3,250	E/T
	S4204E1I	20	1600	3.3	4.2	410	4,900	4,200	E/T
	S4246E1I	24	1070	5.9	6.7	710	7,350	6,400	E/T
1~240V 60 HZ	S4124E2A or S4124E2I	12	1680	0.5	0.6	110	1,400	1,200	E/T
	S4164E2A or S4164E2I	16	1635	0.5	0.6	110	1,400	1,200	E/T
	S4184E2A or S4184E2I	18	1655	1.1	1.3	260	3,000	2,600	E/T
	S4204E2A or S4204E2I	20	1580	1.1	1.3	260	3,000	2,600	E/T
	S4246E2A or S4246E2I	24	1100	2.8	3.1	660	7,100	6,300	E/T
	S4286E2A or S4286E2I	28	1090	3.0	3.4	720	7,900	6,900	E/T
	S4368E2A or S4368E2I	36	780	3.1	3.3	690	11,700	8,200	E/T

(*) Controllable Electronically (E) or by Transformer (T)



VOSTERMANS VENTILATION

Vostermans Ventilation B.V.
P.O. Box 3025
NL-5902 RA Venlo – Holland
Tel. +31 (0)77 389 32 32
Fax +31 (0)77 382 08 93
ventilation@vostermans.com
www.vostermans.com

Vostermans Ventilation S.A.R.L.
B.P. 1801
27018 Evreux Cedex
France
Tel. +33 (0)2 32 38 11 00
Fax +33 (0)2 32 33 37 12
ventilation@vostermansfrance.com
www.vostermans.com

All rights reserved. Vostermans Companies is not responsible for inaccurate or incomplete data. In case of questions and / or regards, please contact ventilation@vostermans.com

Vostermans Ventilation Inc.
2439 S.Main St. – USA
Bloomington, IL 61704
Tel. +1 309 827 - 9798
Fax +1 309 829 - 1993
ventilation@vostermansusa.com
www.vostermansusa.com

Vostermans Ventilation Sdn. Bhd.
330, Lot 2593, Jln Seruling 59, Kws3,
Tmn Klang Jaya, 41200, Klang,
Selangor D.E., Malaysia
Tel. +60 (0)33324 3638 (HL)
Fax +60 (0)33324 1239
ventilation@vostermansasia.com
www.vostermans.com

Vostermans Ventilation B.V. develops, manufactures and distributes the full line of:

Multifan 

