

INSTALLATION AND



KB *PLATINUM* Series Field Installed Disconnect Switch

DANGER

ELECTRIC SHOCK OR FIRE HAZARD

READ ALL WIRE SIZING, VOLTAGE REQUIREMENTS AND SAFETY DATA TO AVOID PROPERTY DAMAGE AND PERSONAL INJURY



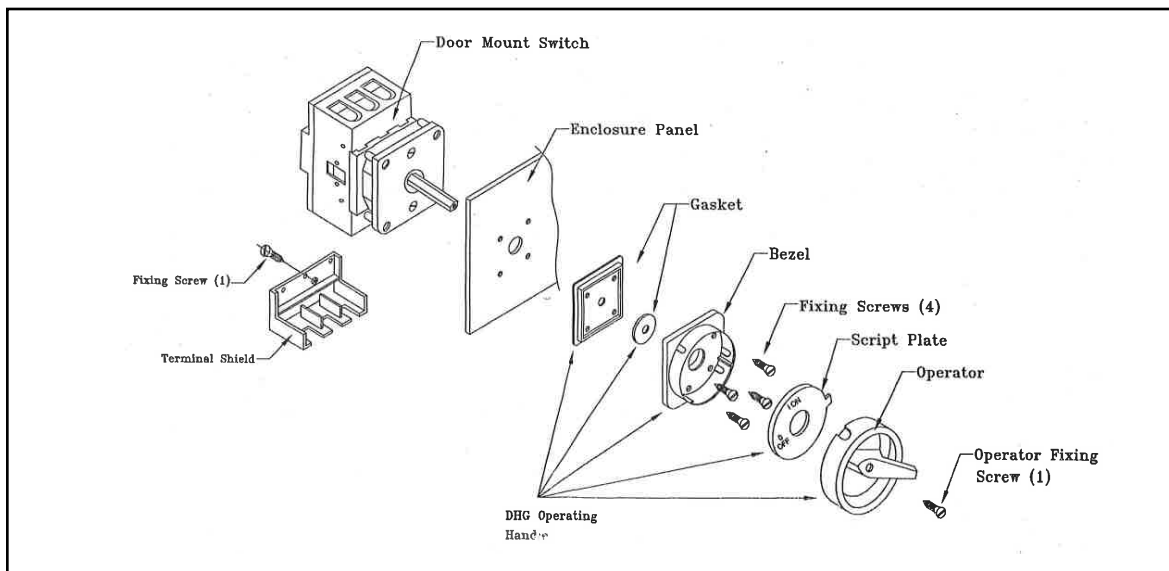
⚠ WARNING ⚠

READ CAREFULLY - Use the heater only as described in this manual. Any other use is not recommended and could result in fire, electric shock, and personal injury. Following these instructions will prevent difficulties that might occur during the installation and use of the heater. Please study the instructions first, as they may save considerable time and trouble during use addition to providing important safety information. Make sure to save these instructions for future use.

NEVER LEAVE HEATER UNATTENDED WHILE CONNECTED TO A POWER SOURCE

- ⚠ WARNING** To prevent a possible electrical shock, disconnect all power coming to heater at main service panel before wiring or servicing.
- ⚠ WARNING** All wiring must be in accordance with the National Electrical Code (Canadian Electrical Code in Canada) and all applicable local codes. The heater must be grounded as a precaution against electrical shock. Supply wiring must be copper and suitable for at least 75° C.
- ⚠ WARNING** Verify power supply and control voltages coming to the heater match the ratings printed on the heater nameplate before energizing.

DISCONNECT SWITCH ASSEMBLY DRAWING



KB PLATINUM DISCONNECT INSTALLATION

NOTE: Before installing disconnect switch, check heater data label to ensure that heater electrical rating does not exceed the switch electrical rating. **NOTE:** All wiring must be done in accordance with National and Local Electrical Codes. Supply conductors to unit must be copper.

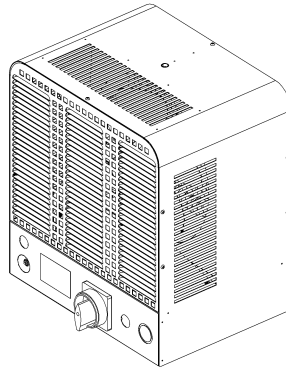
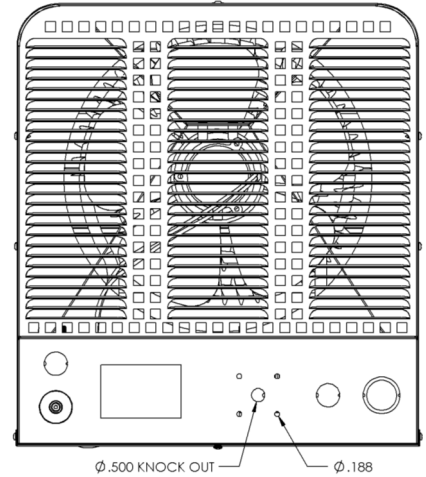


Figure 1



- 1.) Disconnect heater from power supply.
- 2.) Locate and remove 1/2" diameter (.500") knockout on the bottom right side on the back of the heater where switch is to be mounted. **See Figure 1.**
- 3.) Remove the knob and mounting plate from switch assembly per the manufacturer's assembly instructions included with the disconnect switch. Remove terminal shield. (NOTE: Terminal shield must be installed on disconnect switch after incoming supply wiring has been connected).
- 4.) Connect the incoming power supply leads to terminals L1-L2-L3 of the disconnect switch. Connect the incoming ground lead to the grounding screw (or lug).
- 5.) Place the switch inside the heater control compartment with the shaft extending through the 1/2" diameter knockout. The switch must be oriented so the T1-T2-T3 terminals are facing the L1-L2-L3 terminals on the contactor inside the heater. Data and caution labels must be plainly visible from open end of compartment. Align switch assembly and mounting plate with the 3/16" holes in unit and secure with the #6 or #8 screws provided.
- 6.) Connect the lead wires on the switch, marked T1-T2-T3 to the contactor lugs marked L1-L2-L3. **See Figure 2.** (Note: For single phase units remove center lead wire marked L2).
- 7.) Attach the "On-Off" cover to the mounting plate. Install knob and tighten screw.
- 8.) Check all connectors for tightness and electrical clearances. Close cover and latch, then restore electrical power and check heater in each mode of operation.

Important Note:
Install switch so that T1, T2, T3 are facing towards contactor.

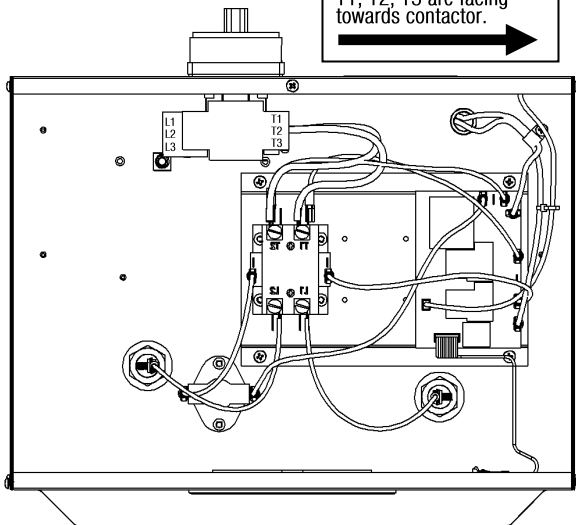


FIGURE 2.

