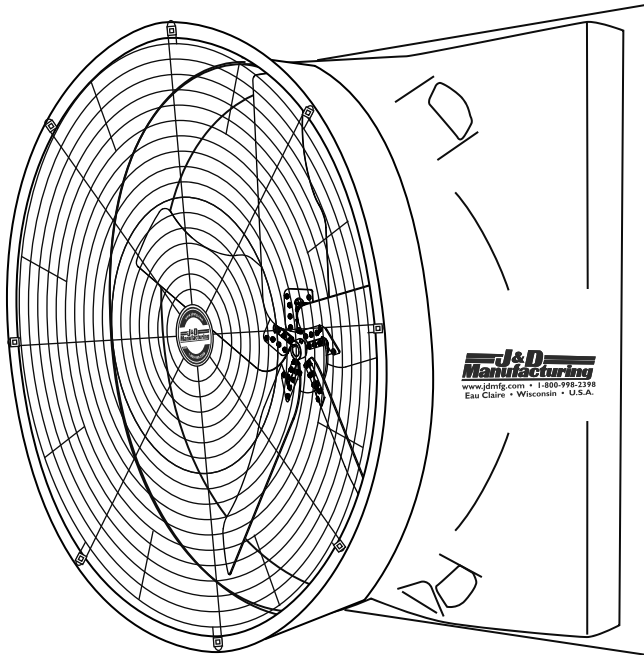
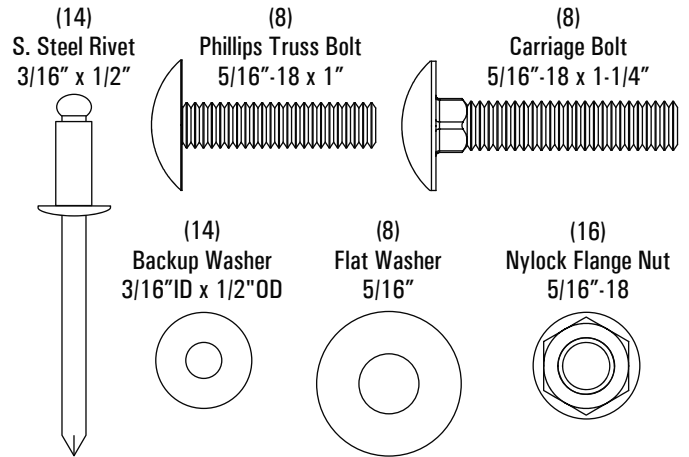


J&D Manufacturing

MEGA STORM II WITH CONE 72" FIBERGLASS EXHAUST FAN



INCLUDED ASSEMBLY HARDWARE - TO SCALE

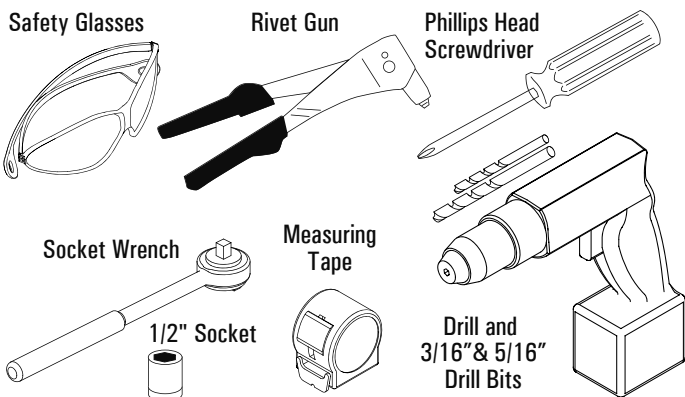


INSTALLATION HARDWARE IS NOT PROVIDED

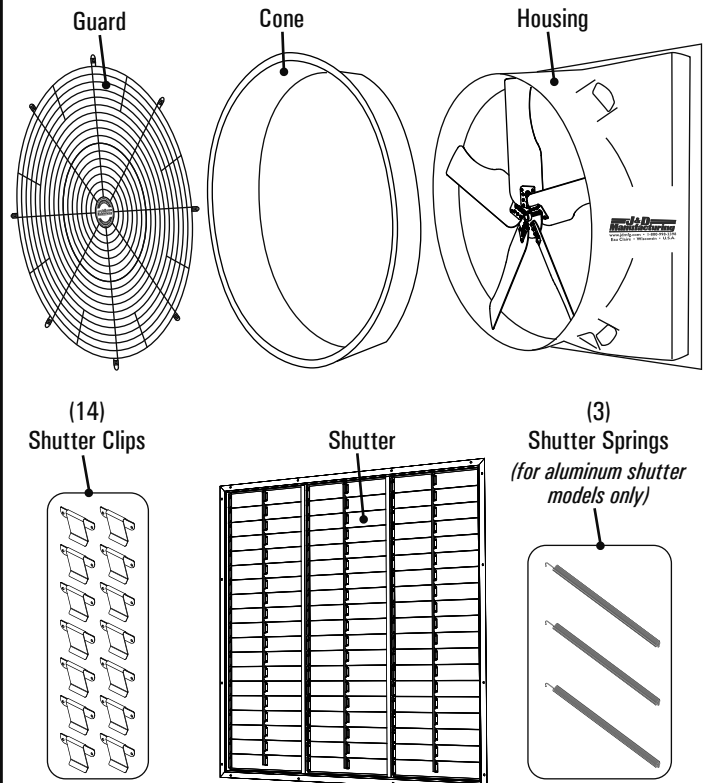
WARRANTY

J&D Manufacturing warrants all products are free from defects in materials and workmanship under normal use for the period of one year from date of purchase. Our warranty does not cover normal or regular wear and tear. J&D Manufacturing can repair or replace at our option, any product or part of the product that is found to be defective. Our warranty applies to materials only, and does not include return freight, delivery, loss or damage to personal property, cost of removal or installation, any incidental or consequential damages or labor. This warranty does not apply to products which are misused, abused, altered, improperly installed or subject to negligence. All warranties must be approved through our warranty department. The original purchaser must present a copy of the invoice for the defective product. One year is our standard warranty unless specified on our literature or in the installation instructions or user manuals.

RECOMMENDED TOOLS FOR INSTALLATION AND ASSEMBLY (NOT PROVIDED)



PARTS LEGEND

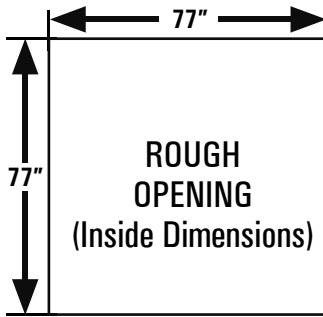


INSTALLATION

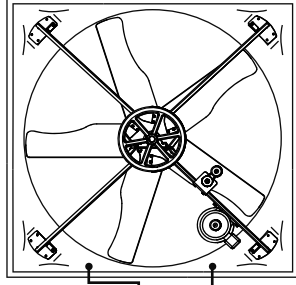
Please read over all instructions carefully before you begin. If you have any questions please call your local dealer, or contact J&D Manufacturing at 1-800-998-2398.

Construct structurally sound 77" square rough opening.

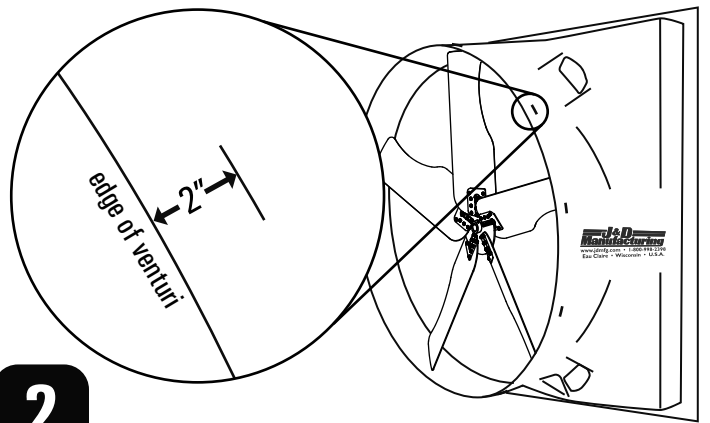
Correct orientation of fan. Drainage holes down. NOTE: Drainage holes **MUST** be free from obstruction.



View from inlet side of fan

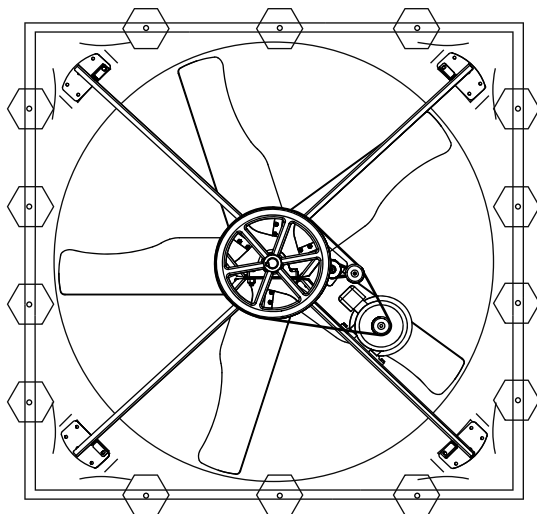


Measure and mark the exterior of the venturi 2" from edge of opening as shown in illustration. These will be your guides for properly installing the cone in **Step 6**.

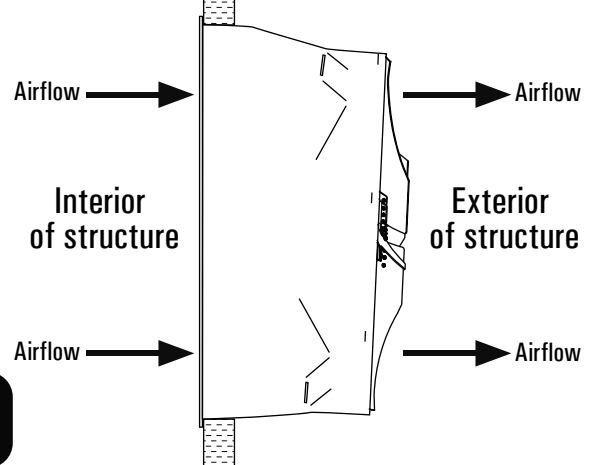


2

Using the 14 pre-drilled holes in the housing flange attach all (14) shutter clips with a rivet gun using (14) 3/16" rivets and (14) 3/16" backup washers. Review the illustrations below for placement and assembly.

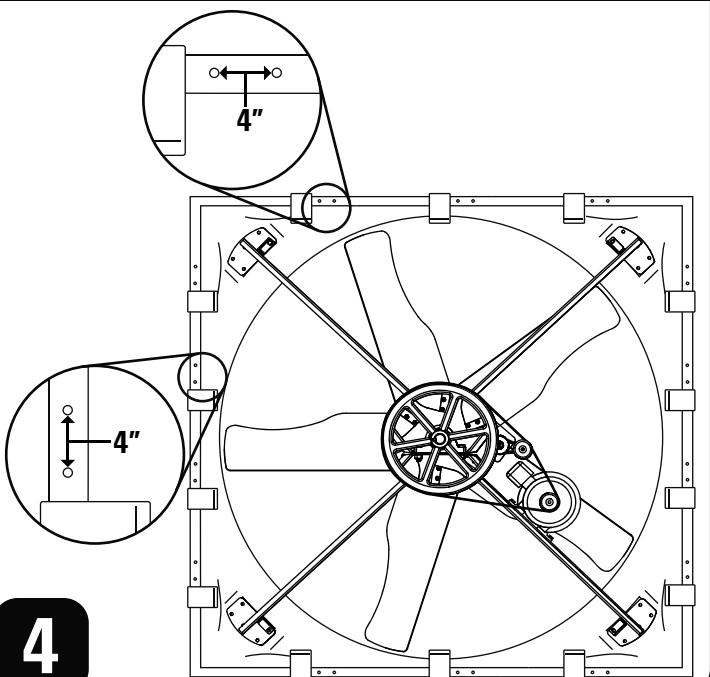


From the inside of your structure, insert fan into the finished opening.



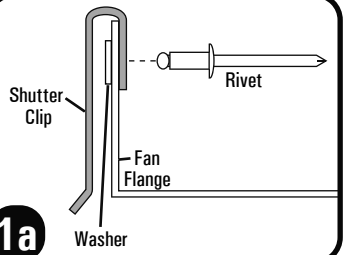
3

On the mounting flange measure and mark 4" from each of the 14 pre-drilled mounting holes used for attaching the shutter clips as shown.

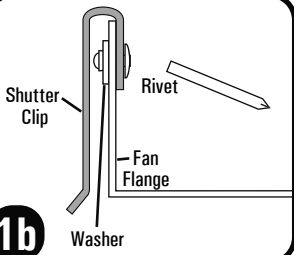


4

1a



1b



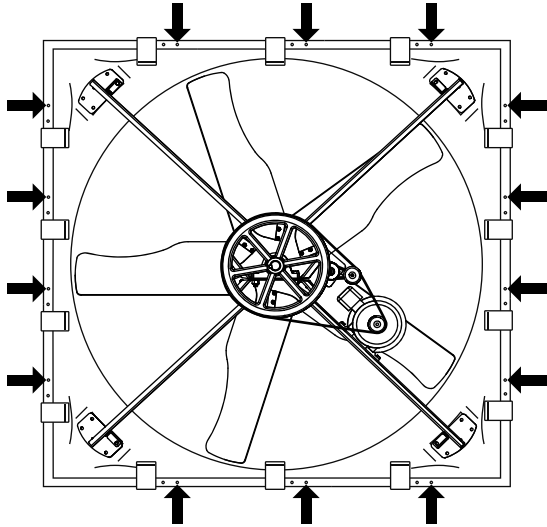
1

Using marks made in **Step 4** as your guide secure housing to structure using hardware suitable for your structure (not included) and washers compatible with your hardware (not included).

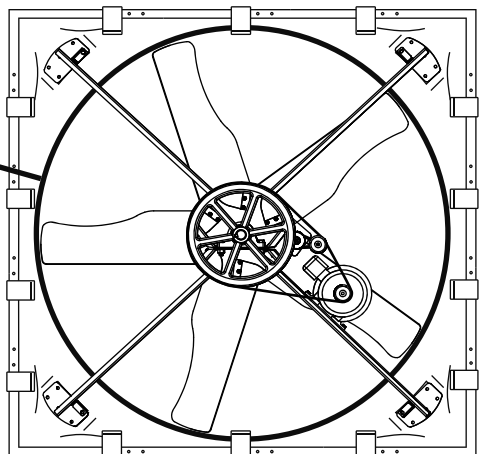
DO NOT secure through the sidewalls of the housing

DO NOT distort the housing

Venturi must not be distorted and prop must be able to rotate freely and not come in contact with the housing

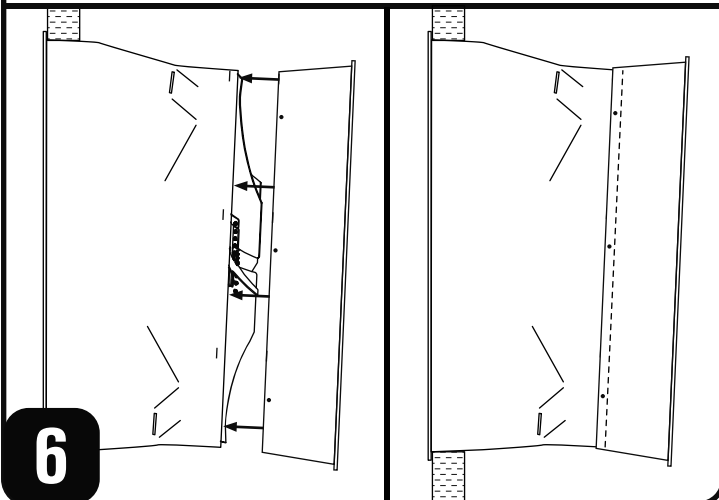


Venturi must not be distorted and prop must be able to rotate freely and not come in contact with the housing



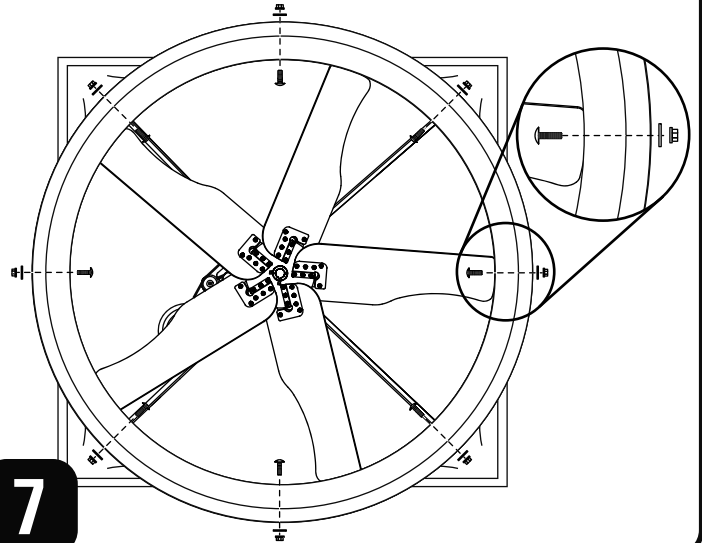
5

Slide cone onto venturi so that venturi and cone overlap by 2". Use marks made in **Step 2** as your guide.



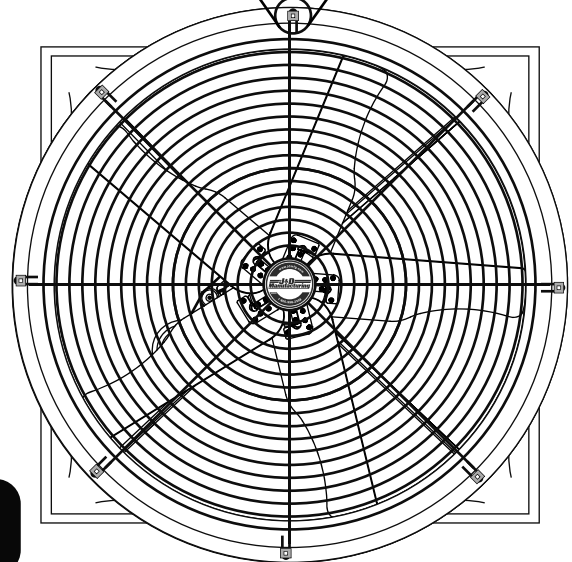
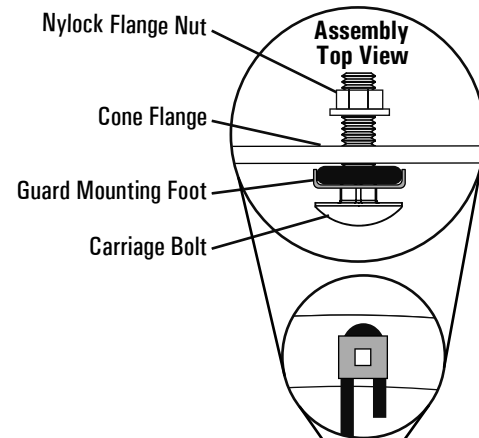
6

Using the 6 pre-drilled holes in the cone and a 5/16" drill bit, drill matching holes in venturi and secure with (8) 5/16" phillips truss bolts, (8) 5/16" flat washers, and (8) 5/16" nylock flange nuts. Insert bolt from the interior of the cone and secure with washer and nut on exterior.



7

Place guard onto cone flange. Using the guard mounting feet as guides and 5/16" drill bit, drill holes through cone flange. Secure the guard to the cone using (8) 5/16" carriage bolts and (8) 5/16" nylock flange nuts. Review the Assembly Side View illustration for proper installation. Do not tighten until all have been assembled.



8

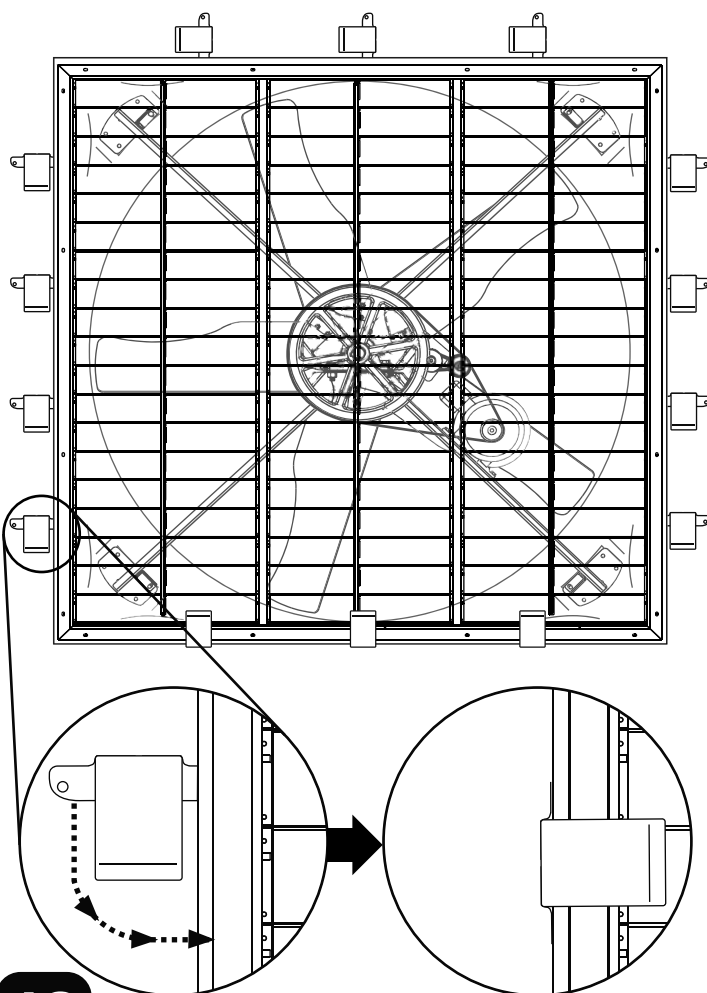
DISCONNECT POWER
BEFORE INSTALLING OR SERVICING.

ALL ELECTRICAL WORK SHOULD BE COMPLETED BY QUALIFIED PERSONNEL AND MEET NATIONAL (NEC), REGIONAL AND LOCAL ELECTRIC CODES.

Connecting power to the unit.

- Install manual disconnect switch inside building adjacent to fan.
 - Route wire to motor with drip loop and secure. Drip loop will drain accumulated moisture away from the motor.
 - Configure internal wires to match supply voltage and wire according to motor nameplate. Test to verify correct rotation.
- 9** • Shut off manual disconnect for remainder of install. Only permit power to unit when shutter and guard is fully installed to prevent injury.

Swivel top and side shutter clips open. Set bottom shutter flange between housing flange and bottom shutter clips. Secure shutter by swiveling top and side shutter clips over shutter flange.

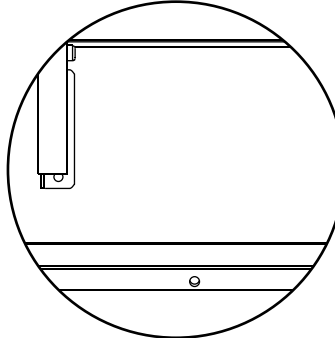
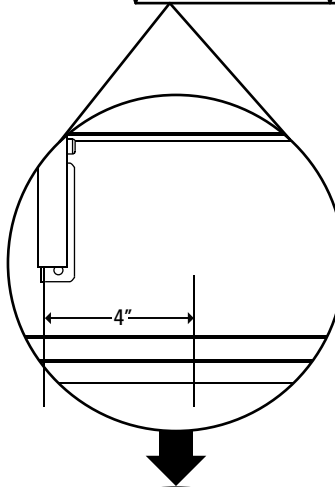
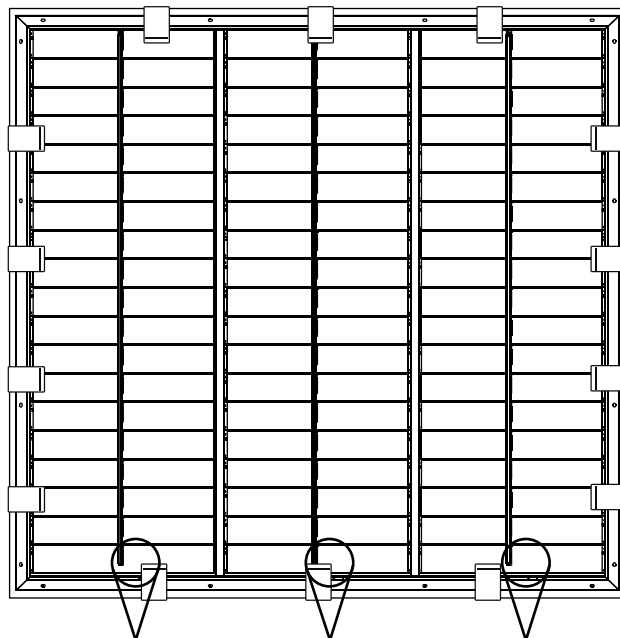


10

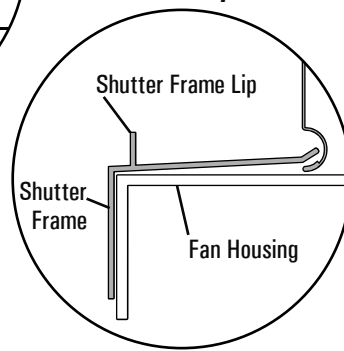
If the fan has a poly shutter your installation is done, proceed to end to review the Maintenance Instructions.

Measure 4" from each tie bar and mark shutter frame lip as shown.

Using a 3/16" drill bit, drill a hole in the shutter lip at each location.

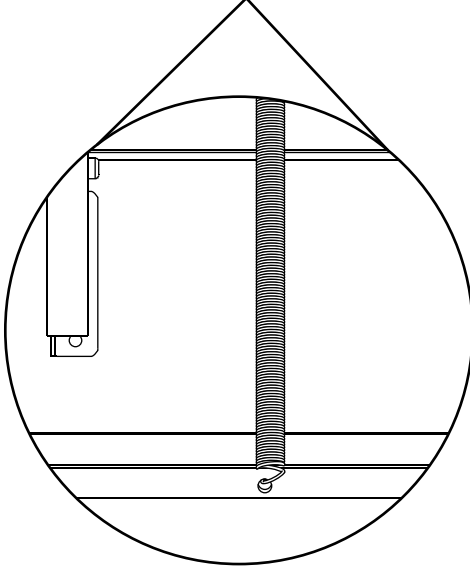
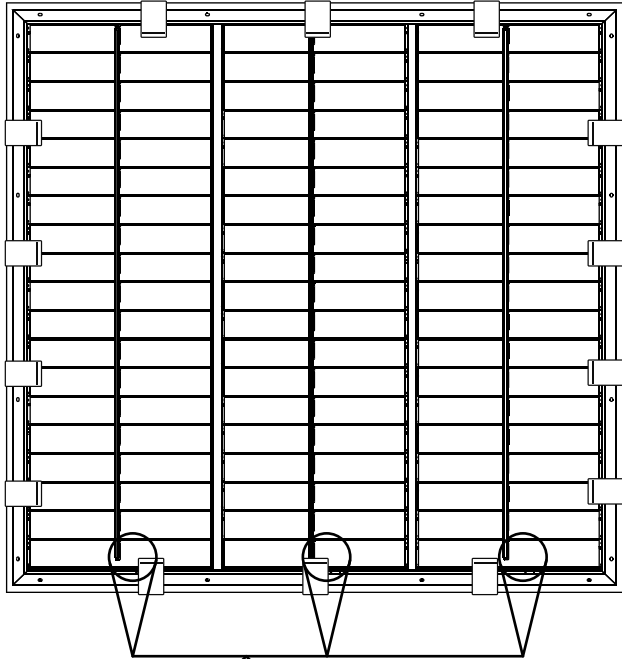


Side Cutaway View

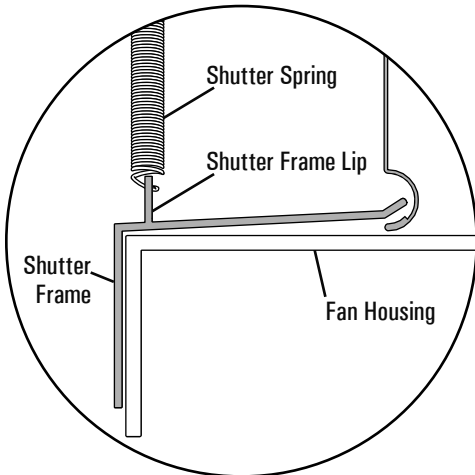


11

At each location drilled in Step 11 attach loop end of spring to shutter frame lip as shown below.

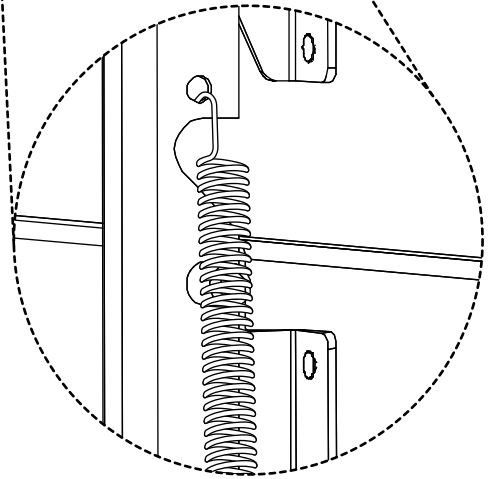
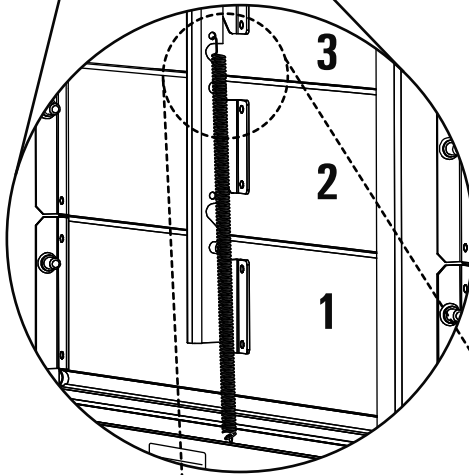
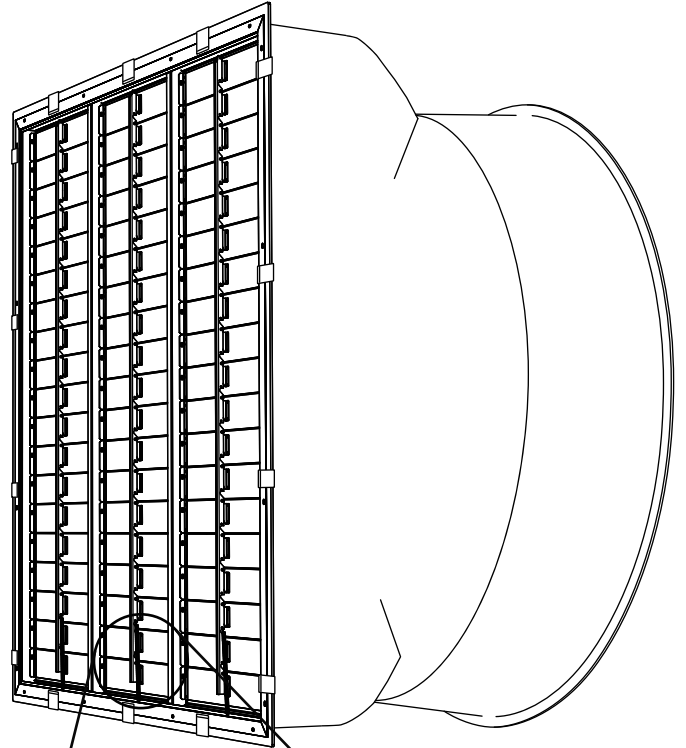


Side Cutaway View



12

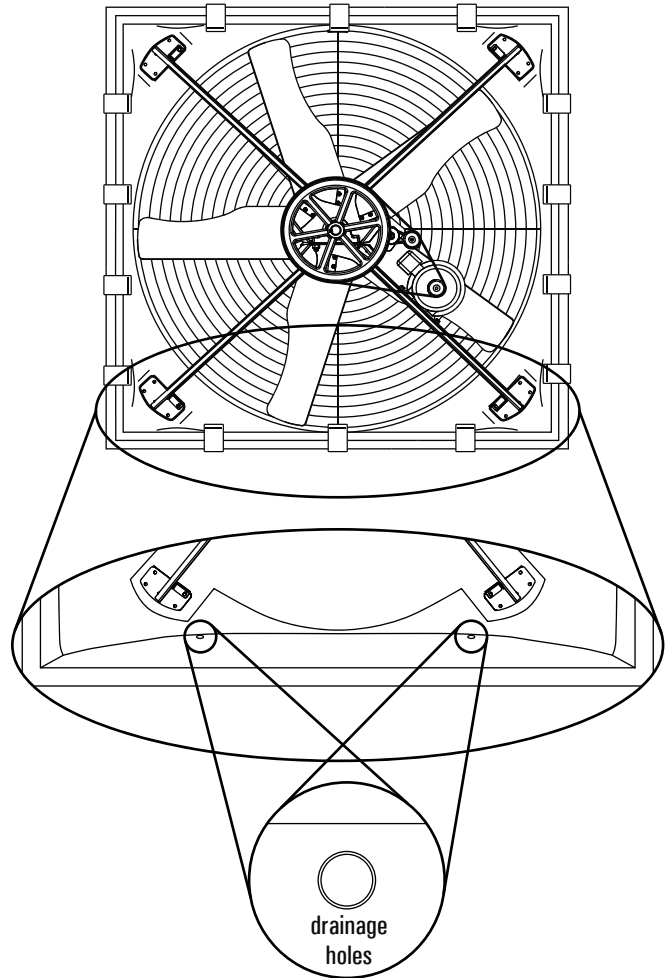
Identify shutter bracket on 3rd shutter louvre from the bottom. Attach shutter spring hook through hole in the bottom of the shutter louvre bracket as shown below. Repeat until all 3 shutter springs are installed.



13

MAINTENANCE INSTRUCTIONS

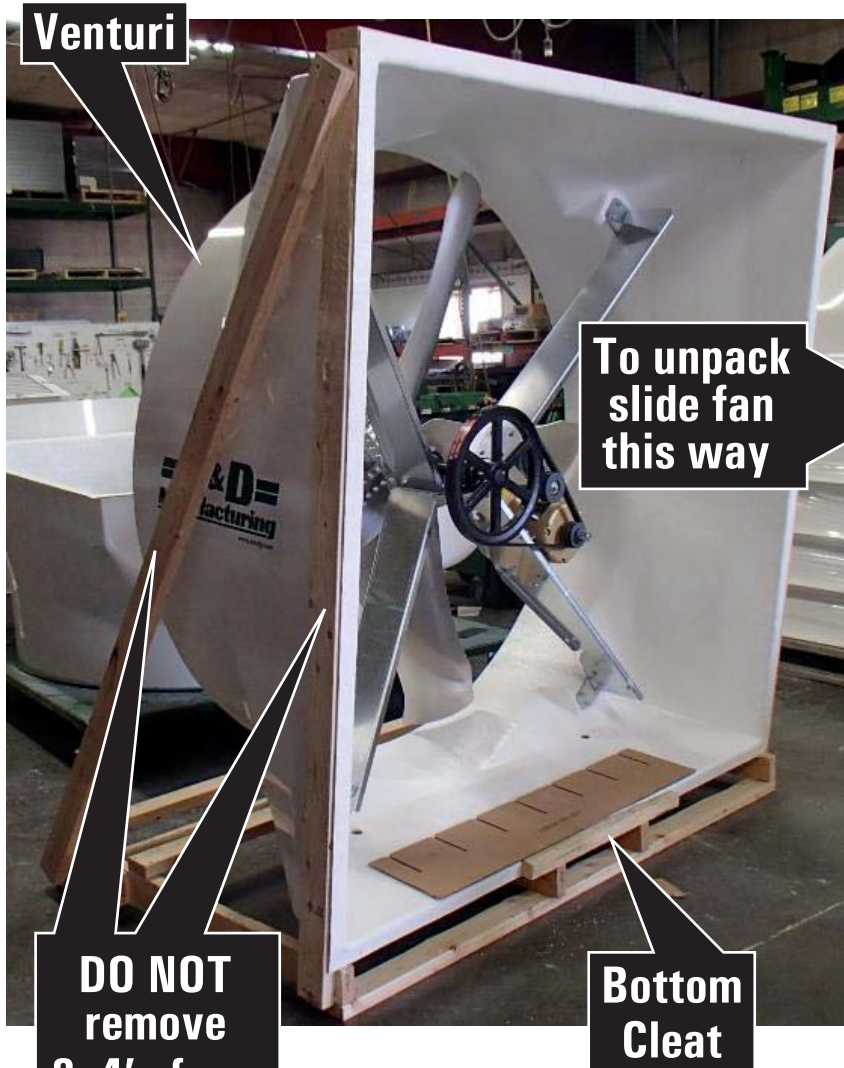
- To prevent serious injury or death, disconnect power before cleaning or maintaining fan or fan motor.
- Service and repair of fan and motor should only be completed by a qualified technician.
- Lubrication
 - If fan motor has grease fittings adhere to the lubrication schedule and quantity as stated on yellow motor label.
 - If fan motor does not have grease fittings it is sealed and does not require additional lubrication.
- Every 4 months or as required, remove dust and debris from:
 - shutter louvers
 - fan blades
 - motor
 - fan housing
 - guards
- If using a pressure or power washer to clean unit avoid:
 - motor seals
 - bearing seals
 - belt tensioner
- Housing drainage holes, as shown in illustration, need to be kept free from debris to allow water from cleaning or weather to drain.



Failure to follow maintenance instructions will void warranty.



WARNING



Venturi

To unpack
slide fan
this way

Bottom
Cleat

DO NOT
remove
2x4's from
either side

**DO NOT remove any of the 2x4's
from either side of the fan.**

This fan is top heavy, failure to unpack properly can result in bodily injury and/or damage to the fan.

To safely unpack fan follow the below steps.

- 1) Remove the bottom cleat that is securing the bottom of the fan (as indicated in the photo).**
- 2) Using a minimum of 3 people (one on either side and one supporting the venturi) to slide fan out of packing frame**