



S&P USA

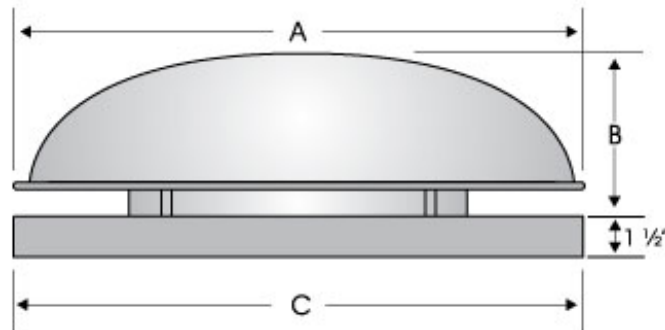
Qty: 1
 Tag: LPD081AS
 Project: test
 Optimizer Version 2.0
 Printed: 2023-04-06

LPD08A60

Centrifugal Roof & Sidewall Exhauster-Direct Drive

STANDARD FEATURES:

Ultra Low Profile • UPS Shipping Carton • AMCA Air, Sound, and FEI Licensed • UL 705 Listed (Optional) • 5 Year Housing Warranty • 140 degree Max Airstream Temperature • Aluminum Construction • Stainless Steel Exterior Fasteners • Backward Curved Centrifugal Wheel • Aluminum Birdscreen • Conduit Wiring Chase • Electrical Disconnect Switch (mounted and wired - standard) • Precision Balanced to ISO 1940 • External Rotor Design • Permanently Lubricated Bearings • 3 Year Motor Warranty • Internal Thermal Protection • 100% Speed Controllable • 115/1/60 and 230/1/60/50 Compatible • Enclosed and Continuous Duty



Damper OD = D
 Roof Opening = E
 Curb OD = F

Performance

Fan RPM	Flow (CFM)	SP (in W.G.)	Power (HP)	FEP Actual (kW)	FEI	SE	TE	FPM (TS)	FPM (OV)
2775	387	0	.154	0.18	0.56	0%	3%	6357	1159

Altitude (Feet): n/a Temperature (Fahrenheit): n/a Density (Lb/Ft3): .075

Motor Information: (Wired for 115V)

HP	RPM	Volts/PH/Hz	Enclosure	Efficiency	Mounted
.154	2775	115V/1PH/60HZ	TOTALLY ENCLOSED AIR OVER	-	YES

Dimensions (Inches)

A	B	C	D	E	F	G	H	I	J	K	L	M	N	O	P	Q	R	S	T	U	V	W	X	Y
16.50	7.00	16.50	11.00	11.75	14.75																			

Note: Accessories may effect dimensions shown.

Avg. Shipping Weight (Lbs)*: 19

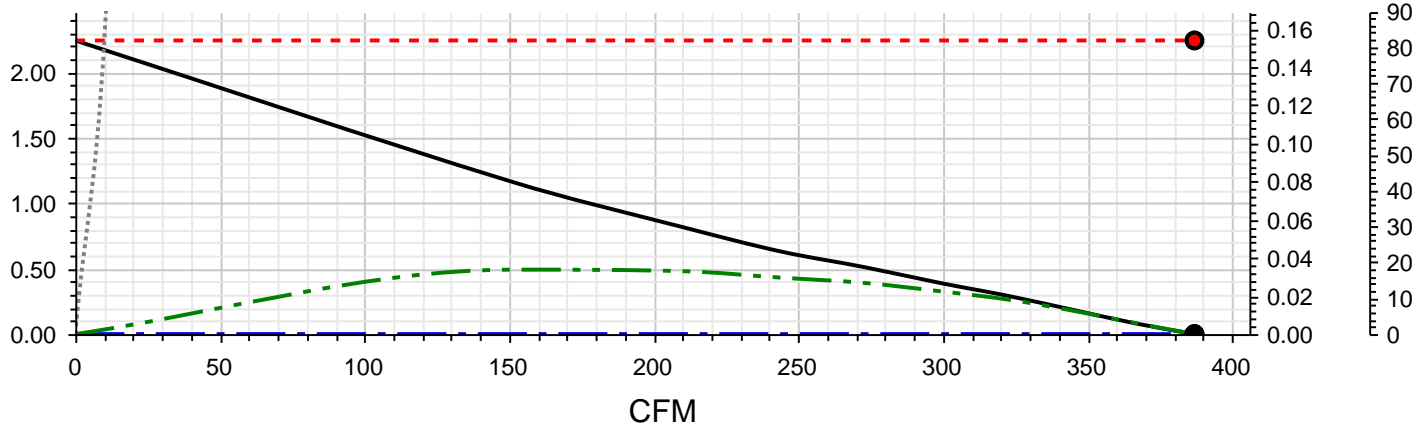
*Includes fan, motor, and packaging.



Sound Power Levels - Octave Bands

LwA	dBA	Sones	1	2	3	4	5	6	7	8
78	66	14.6	74	71	75	76	71	70	69	65

in W.G.



— Fan Curve - - - System Curve - - - Horsepower - - - Static Efficiency Stall Curve

Accessories:

LABEL UL/CUL 705 LISTED POWER VENT (709J)