



S&P USA

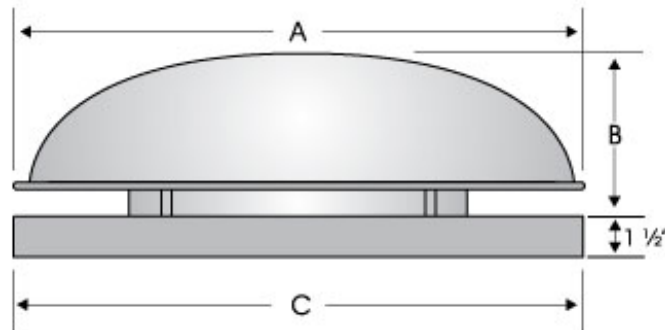
Qty: 1
 Tag: LPD061AS
 Project: test
 Optimizer Version 2.0
 Printed: 2023-04-06

LPD06A60

Centrifugal Roof & Sidewall Exhauster-Direct Drive

STANDARD FEATURES:

Ultra Low Profile • UPS Shipping Carton • AMCA Air, Sound, and FEI Licensed • UL 705 Listed (Optional) • 5 Year Housing Warranty • 140 degree Max Airstream Temperature • Aluminum Construction • Stainless Steel Exterior Fasteners • Backward Curved Centrifugal Wheel • Aluminum Birdscreen • Conduit Wiring Chase • Electrical Disconnect Switch (mounted and wired - standard) • Precision Balanced to ISO 1940 • External Rotor Design • Permanently Lubricated Bearings • 3 Year Motor Warranty • Internal Thermal Protection • 100% Speed Controllable • 115/1/60 and 230/1/60/50 Compatible • Enclosed and Continuous Duty



Damper OD = D
 Roof Opening = E
 Curb OD = F

Dimensions (Inches)

A	16.50	B	7.00	C	16.50	D	11.00	E	11.75
F	14.75	G		H		I		J	
K		L		M		N		O	
P		Q		R		S		T	
U		V		W		X		Y	

Note: Accessories may effect dimensions shown.

Avg. Shipping Weight (Lbs)*: 15

*Includes fan, motor, and packaging.



Performance

Fan RPM	Flow (CFM)	SP (in W.G.)	Power (HP)	FEP Actual (kW)	FEI	SE	TE	FPM (TS)	FPM (OV)
2800	302	0	.121	0.15	0.62	0%	3%	5498	1055

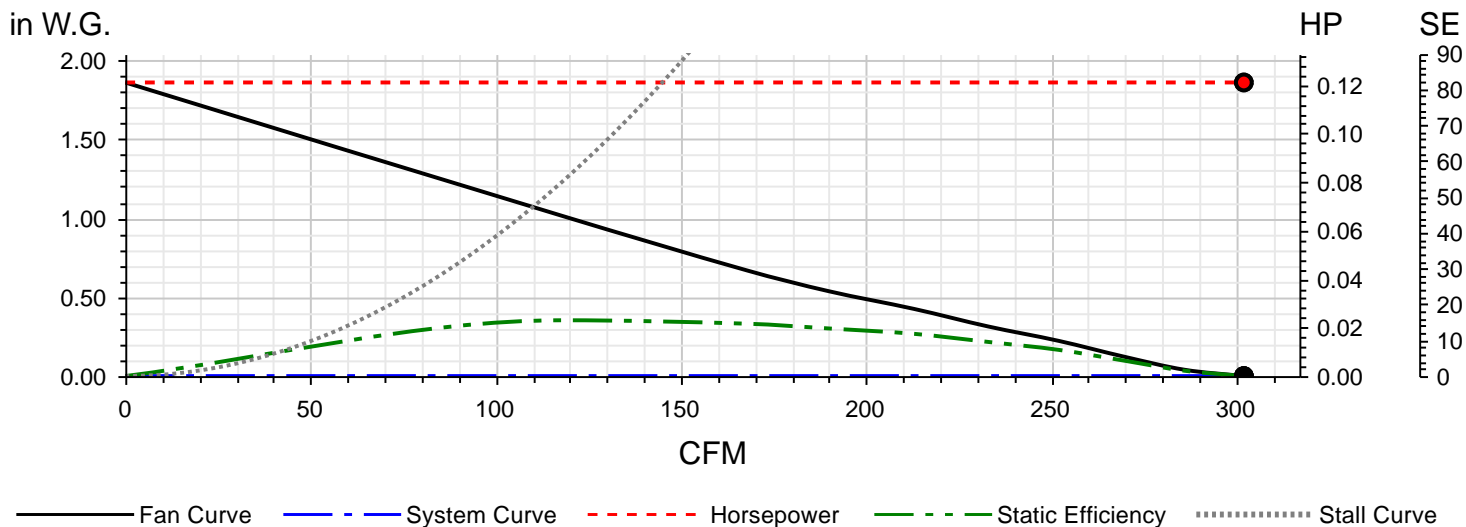
Altitude (Feet): n/a Temperature (Fahrenheit): n/a Density (Lb/Ft3): .075

Motor Information: (Wired for 115V)

HP	RPM	Volts/PH/Hz	Enclosure	Efficiency	Mounted
.121	2800	115V/1PH/60HZ	TOTALLY ENCLOSED AIR OVER	-	YES

Sound Power Levels - Octave Bands

LwA	dBA	Sones	1	2	3	4	5	6	7	8
70	58	9.8	74	65	68	68	63	62	58	60



Accessories:

LABEL UL/CUL 705 LISTED POWER VENT (709J)