



Keenan & Meier
Backdraft Dampers
www.kmdampers.com

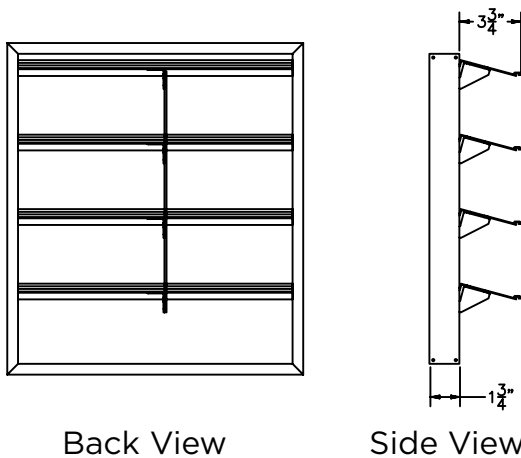


TRIANGLE
ENGINEERING

Series 3000 Flangeless Rectangular Dampers



Keenan and Meier manufactures & delivers high quality aluminum back draft dampers at competitive prices. Our dampers are all engineered to combine strength and durability, providing controlled airflow against drafts. Our dampers are available in several styles to satisfy your engineering specifications.



Back View

Side View

Series 3000 Standard Specifications

Frame Material	Extruded Aluminum
Mounting Configuration	Vertical Position A Horizontal Position B (Air Flow Up) Horizontal Position C (Air Flow Down)
Frame Style	Non-Flanged Inside Mount
Blade Thickness	.020 Roll-Formed Aluminum Mill Finish
Blade Seals	Full length vinyl weather strip
Min. Size*	6"x6"
Max Single Section Size*	48"x48"
Finish	Mill Finish
Construction	45° mitered corners; riveted linkage 3000-3200 screwed corners

***Call for special sizes**

AVAILABLE OPTIONS

- Heavy Duty Blade
.050" Extruded Aluminum Blade
- Conduit Hole Through Blade Line
- Motor Operator
- Adjustable Spring Counter Balance
- Adjustable Weighted Counter Balance
- Bird Screen
- Insect Screen
- Chain Operator
- Full Length Hinge Seal

***Dampers Will be 1/4"
Undercut Unless Stated
"EXACT"***



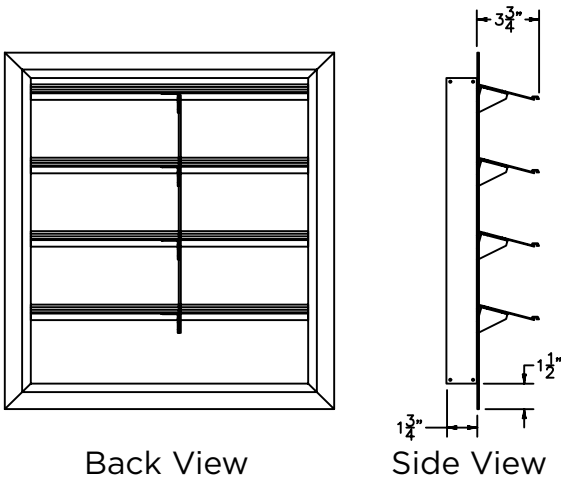
Keenan & Meier
Backdraft Dampers
www.kmdampers.com



TRIANGLE
ENGINEERING

Series 3100 Front Flange Rectangular Dampers

Keenan and Meier manufactures & delivers high quality aluminum back draft dampers at competitive prices. Our dampers are all engineered to combine strength and durability, providing controlled airflow against drafts. Our dampers are available in several styles to satisfy your engineering specifications.



Back View

Side View

Series 3100 Standard Specifications

Frame Material	Extruded Aluminum
Mounting Configuration	Vertical Position A Horizontal Position B (Air Flow Up) Horizontal Position C (Air Flow Down)
Frame Style	Front Flanged Mount
Blade Thickness	.020 Roll-Formed Aluminum Mill Finish
Blade Seals	Full length vinyl weather strip
Min. Size*	6"x6"
Max Single Section Size*	48"x48"
Finish	Mill Finish
Construction	45° mitered corners; riveted linkage 3000-3200 screwed corners

***Call for special sizes**



AVAILABLE OPTIONS

- Heavy Duty Blade
.050" Extruded Aluminum Blade
- Conduit Hole Through Blade Line
- Motor Operator
- Adjustable Spring Counter Balance
- Adjustable Weighted Counter Balance
- Bird Screen
- Insect Screen
- Chain Operator
- Full Length Hinge Seal

***Dampers Will be 1/4"
Undercut Unless Stated
"EXACT"***



Keenan & Meier
Backdraft Dampers
www.kmdampers.com

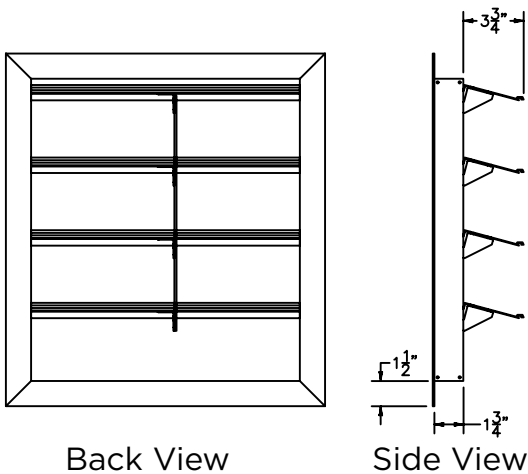


TRIANGLE
ENGINEERING

Series 3200 Rear Flange Rectangular Dampers



Keenan and Meier manufactures & delivers high quality aluminum back draft dampers at competitive prices. Our dampers are all engineered to combine strength and durability, providing controlled airflow against drafts. Our dampers are available in several styles to satisfy your engineering specifications.



Back View

Side View

Series 3200 Standard Specifications

Frame Material	Extruded Aluminum
Mounting Configuration	Vertical Position A Horizontal Position B (Air Flow Up) Horizontal Position C (Air Flow Down)
Frame Style	Rear Flanged Mount
Blade Thickness	.020 Roll-Formed Aluminum Mill Finish
Blade Seals	Full length vinyl weather strip
Min. Size*	6"x6"
Max Single Section Size*	48"x48"
Finish	Mill Finish
Construction	45° mitered corners; riveted linkage 3000-3200 screwed corners

***Call for special sizes**

AVAILABLE OPTIONS

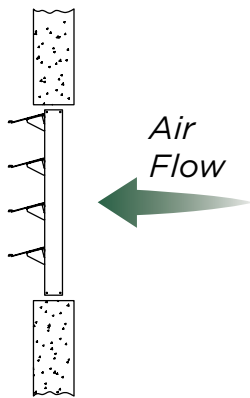
- Heavy Duty Blade
.050" Extruded Aluminum Blade
- Conduit Hole Through Blade Line
- Motor Operator
- Adjustable Spring Counter Balance
- Adjustable Weighted Counter Balance
- Bird Screen
- Insect Screen
- Chain Operator
- Full Length Hinge Seal

***Dampers Will be 1/4"
Undercut Unless Stated
"EXACT"***

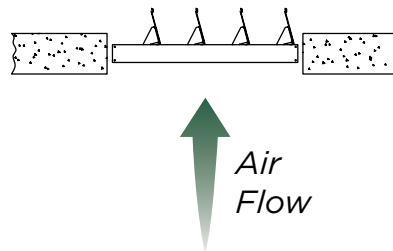


Damper Positions

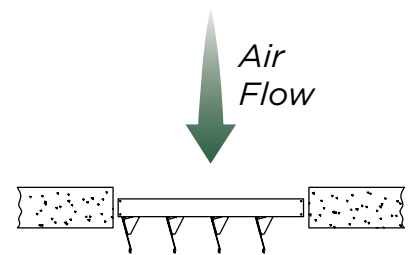
Series 3000 Flangeless Rectangular Dampers



Position A

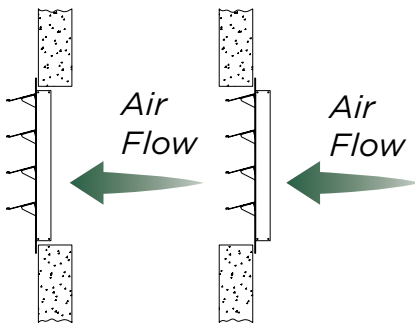


Position B

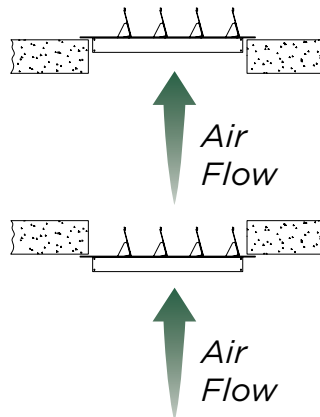


Position C

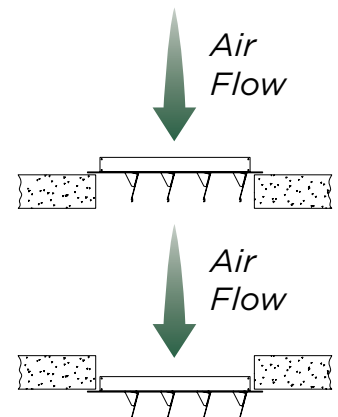
Series 3100 Front Flange Rectangular Dampers



Position A



Position B

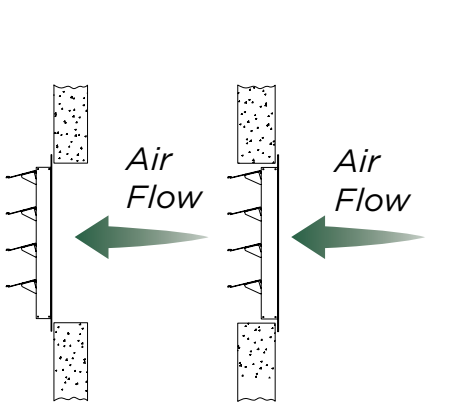


Position C

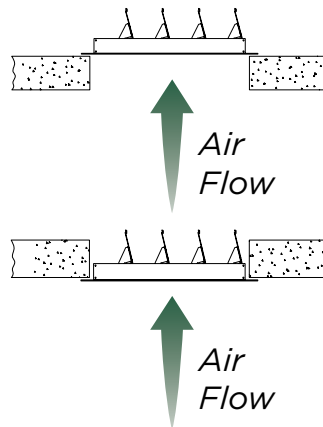


Damper Positions

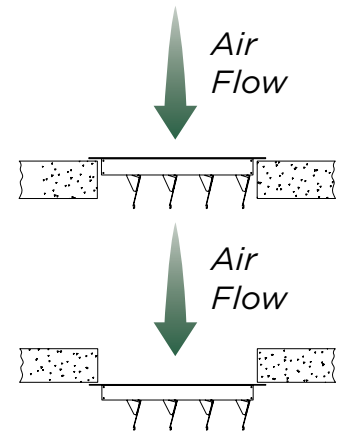
Series 3200 Rear Flange Rectangular Dampers



Position A



Position B



Position C