

Article number: K4E13K0M11200

Basket fans

Multifan



Technical data

Voltage	U	240	V
Phase		1	~
Frequency	f	60	Hz
Speed	n	505	RPM
Power consumption	P _e	1050	W
Nominal current	I _{nom}	4.7	A
Maximum current	I _{max}	5.6	A
Capacitor		16/400	µF/V
Ambient temperature	T _{amb min/max}	-13...104	°F
Insulation Class		CL.F	
IP Class Fan		IP55	
Sound pressure level (6.6 ft)	L _{p (meas.)}	62	db(A)
Sound pressure level (23 ft)	L _{p (calc.)}	51	db(A)
Weight		83.1	Lbs.
Packing dimensions		44.9x12.8x15.4	inch

Fan details

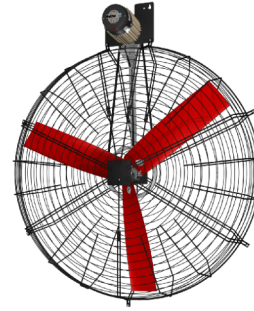
Impeller blades	3
Impeller type	10
Impeller system	N
Impeller material	PG

Control options

Triac controller	No
Transformer	No
Frequency drive	No
Intelligent Fan Drive	No

Characteristics

0.00 in. wg	27050 CFM
-------------	-----------



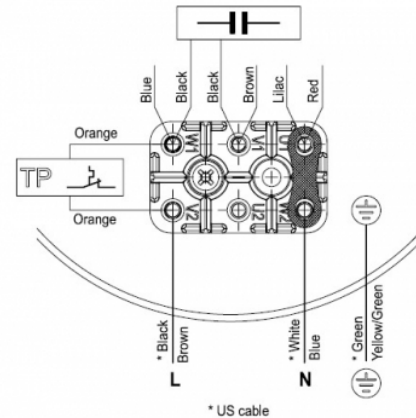
Please note: Picture may deviate from original product

Approval(s)

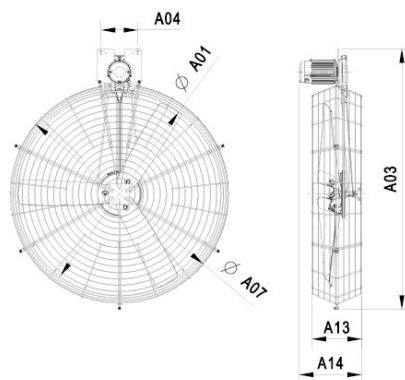


Wiring diagram - Fan

AA01 - 1 Phase - Standard - CCW



Dimensions



A01:	50.6 inch
A03:	65.4 inch
A04:	9.3 inch
A07:	54.7 inch
A13:	12.6 inch
A14:	15.7 inch



VOSTERMANS
VENTILATION

Vostermans Ventilation B.V.
Venlo - The Netherlands
+31 (0)77 389 32 32
ventilation@vostermans.com

Vostermans Ventilation Inc.
Bloomington, IL - U.S.A.
+1 309 827 9798
ventilation@vostermansusa.com

Vostermans Ventilation Ltd. Co.
Shanghai - China
+86 21 5290 2889/2899
ventilation@vostermanschina.com

Vostermans Ventilation Sdn. Bhd.
Tmn Klang Jaya - Malaysia
+60 (0)33324 3638
ventilation@vostermansasia.com