

Wiring

CAUTION: Disconnect power supply before wiring connections are made to avoid possible electrical shock or damage to equipment.

All wiring should be done in accordance with applicable codes, ordinances and regulations. Figures 1, 2, and 3 illustrate typical wiring of model SPDT for control of heating, cooling, and combination heating-cooling control systems (copper conductors only). Figures 4, 5, and 6 illustrate typical wiring of 2 Stage thermostat for heating, cooling, or combination systems.

NOTE: Letters R, B, and Y (red, blue, and yellow) refer to color of paint dots near terminals. Numbers 1, 2, and 3 appear on the terminals themselves.

Model KJ16110 Single Stage

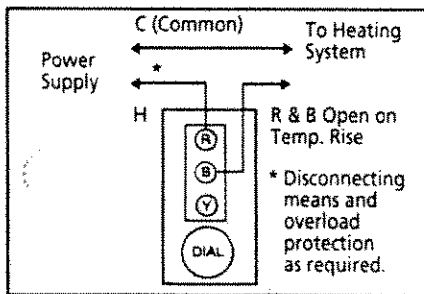


FIG. 1 - TYPICAL HEATING CONTROL CIRCUIT

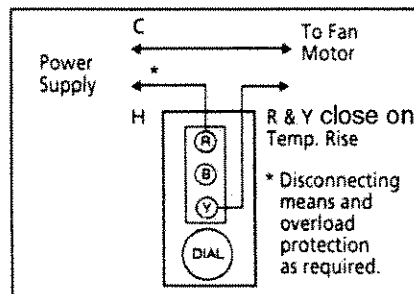


FIG. 2 - TYPICAL VENTILATING OR COOLING CONTROL CIRCUIT

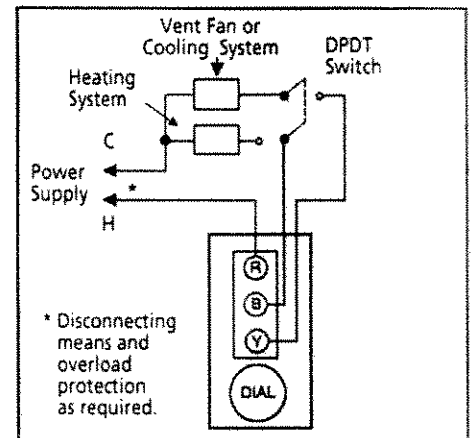


FIG. 3 - CONTROL OF HEATING AND VENTILATING SYSTEM

Model KT16110 Two Stage

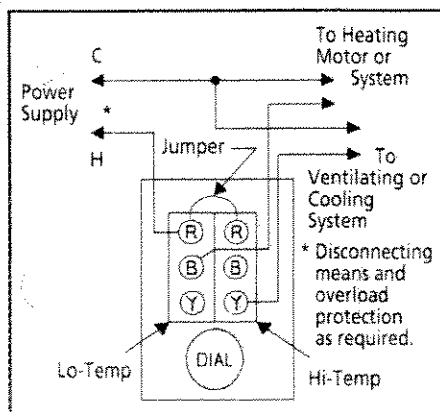


FIG. 6 - TYPICAL WIRING OF HEATING AND COOLING DEVICES TO TWO-STAGE THERMOSTAT (AUTOMATIC CHANGEOVER).

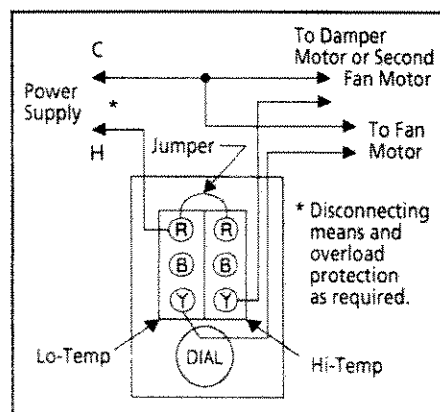


FIG. 5 - CONTROL OF SINGLE SPEED VENTILATING FAN AND VOLUME-INCREASED DAMPER MOTOR

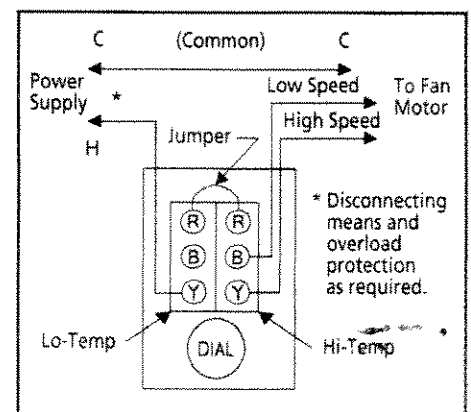


FIG. 4 - TYPICAL TWO-SPEED VENTILATING FAN CONTROL CIRCUIT