

## IUH SERIES INDUSTRIAL UNIT HEATER



### IDEAL SPACES

- Factories
- Warehouses
- Garages
- Public Buildings
- Stores
- Service Stations
- Maintenance Rooms
- Workshops
- Stairwells

### COLORS

- Neutral Gray

### DIMENSIONS

- Varies (see specifications)

### TEMP RANGE

- 45°– 90°F

### CFM

- 270-1800

- All motors and contactor coils are 240V and operate on the secondary of a factory-installed step-down power transformer on 480V and 600V heaters so a separate fan and motor control power source is not needed
- Automatic fan delay eliminates cold drafts on start-up and discharges residual heat from the heater body during shut down
- Steel fins are copper-brazed to low-watt density, steel-sheathed tubular heating elements
- 5 and 7.5 kW models also come equipped with ceiling mounting bracket for horizontal or vertical flow mounting or any position in between
- Uniform discharge of all heated air lowers internal operating temperatures and prolongs element life
- Cabinet is finished with a polyester powder coating for excellent corrosion resistance
- Element finished with aluminized paint for corrosion resistance
- Fins and elements are arranged in a uniform grid pattern and fit closely into air discharge area to assure that all incoming air passes through heating element
- High-limit cut-off automatically shuts off current in the event of overheating and reactivates unit when temperature returns to normal



## IUH SERIES INDUSTRIAL UNIT HEATER

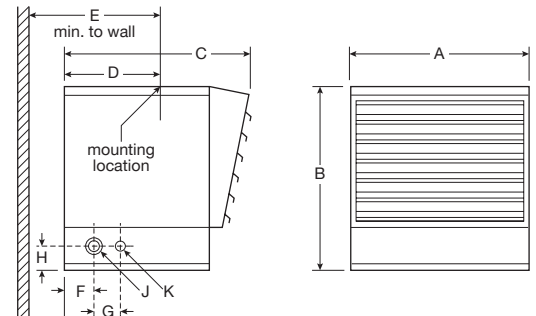
### MODELS & SPECIFICATIONS

CATALOG NO.	UPC	KW CAP.	BTU/HR.	HTR. VOLT	PHASE	THREADED ROD SIZE	HEATER 1 PH	AMPS 3 PH	HP OR WATTS	FAN & FAN MOTOR VOLTAGE	AIR MOTOR RPM	AIR VOL. CFM	TEMP. RISE	MAX THROW	MFG. HEIGHT	SHIP WT. (LBS)
IUH520	6 85360 04196 4	5	17	208	1-3	1/2"-13 NC	20.8	12.5	6.0W	208	1400	270	60°F	16'	8'	26
IUH524	6 85360 04197 1	5	17	240	1-3	1/2"-13 NC	24	13.8	6.0W	240	1400	270	60°F	16'	8'	26
IUH548	6 85360 04202 2	5	17	480	1-3	1/2"-13 NC	10.4	6	6.0W	240	1400	270	60°F	16'	8'	31
IUH560	6 85360 04204 6	5	17	600	3	1/2"-13 NC	—	4.8	6.0W	240	1400	270	60°F	16'	8'	31
IUH720	6 85360 04207 7	7.5	25.6	208	1-3	1/2"-13 NC	36.6	21.3	6.0W	208	1400	270	85°F	18'	8'	27
IUH724	6 85360 04209 1	7.5	25.6	240	1-3	1/2"-13 NC	31.3	18.1	6.0W	240	1400	270	85°F	18'	8'	27
IUH748	6 85360 04212 1	7.5	25.6	480	1-3	1/2"-13 NC	15.6	9	6.0W	240	1400	270	85°F	18'	8'	31
IUH760	6 85360 04214 5	7.5	25.6	600	3	1/2"-13 NC	—	7.2	6.0W	240	1400	270	85°F	18'	8'	31
IUH1024	6 85360 04176 6	10	34.1	240	1-3	1/2"-13 NC	41.7	25.7	1/10 HP	240	1550	500	63°F	20'	9'	62
IUH1048	6 85360 04180 3	10	34.1	480	1-3	1/2"-13 NC	21.6	12.8	1/10 HP	240	1550	500	63°F	20'	9'	72
IUH1060	6 85360 04182 7	10	34.1	600	3	1/2"-13 NC	—	9.6	1/10 HP	240	1550	500	63°F	20'	9'	72
IUH1524	6 85360 04184 1	15	51.2	240	1-3	1/2"-13 NC	64.1	37.7	1/10 HP	240	1550	750	63°F	28'	11'	68
IUH1548	6 85360 04187 2	15	51.2	480	1-3	1/2"-13 NC	32.1	18.8	1/10 HP	240	1550	750	63°F	28'	11'	78
IUH1560	6 85360 04188 9	15	51.2	600	3	1/2"-13 NC	—	14.5	1/10 HP	240	1550	750	63°F	28'	11'	80
IUH2048	6 85360 04190 2	20	68.2	480	1-3	1/2"-13 NC	42.5	24.8	1/10 HP	240	1550	1000	63°F	32'	13'	78
IUH2060	6 85360 04191 9	20	68.2	600	3	1/2"-13 NC	—	19.3	1/10 HP	240	1550	1000	63°F	32'	13'	80
IUH2548	6 85360 04192 6	25	85.2	480	3	1/2"-13 NC	—	31.1	1/3 HP	240	1550	1300	61°F	34'	14'	136
IUH2560	6 85360 04193 3	25	85.2	600	3	1/2"-13 NC	—	24	1/3 HP	240	1550	1300	61°F	34'	14'	142
IUH3048	6 85360 04194 0	30	102.2	480	3	1/2"-13 NC	—	36.9	1/3 HP	240	1550	1800	53°F	38'	15'	142
IUH3060	6 85360 04195 74	30	102.2	600	3	1/2"-13 NC	—	28.9	1/3 HP	240	1550	1800	53°F	38'	15'	142

### ACCESSORIES

CATALOG NO.	UPC	DESCRIPTION	SHIP WT. (LBS)
CWB1A	6 85360 01820 1	Combination wall/ceiling bracket for 5KW thru 15KW units	4
CWB2A	6 85360 15240 0	Same as above but for 20KW thru 50KW units	14
UHTA1	6 85360 15243 1	Single-Pole Thermostat kit 60-120°F temp.range for field installation	1
IUHDS30*	6 85360 01995 6	3-pole power disconnect switch kit for field installation on all horizontal unit heaters rated 24 amps or less.	1
IUHDS63*	6 85360 01996 3	3-pole power disconnect switch kit for field installation on all horizontal unit heaters 10KW and above rated 24 to 50 amps.	1
IUHSW	6 85360 03672 4	Summer-Winter Fan Switch Kit. Field installed. Provides summer fan operation.	1

NOTE: When controls are to be factory-installed, list unit, control, and factory installation adder separately.



### ACCESSORIES

KW SIZE	A	B	C	D	E	F	G	H	J	K
5-7.5	14"	12-1/2"	12-3/8"	5-1/2"	13"	1-3/4"	1-3/8"	1-1/2"	(2) 1/2", 3/4"	1/2"
10-20	18"	18"	17-1/2"	9-15/32"	*	2"	2-1/2"	2-1/4"	(2) 3/4", 1"	(3) 1", 1 1/4", 1-1/2"
25-30	26"	24"	23-1/8"	9-15/32"	20"	2"	2-3/4"	2-1/4"	(2) 1", 1 1/2"	(3) 1", 1-1/2", 2"

NOTE: 13 in. for 10-15 kW units; 16 in. for 20 kW unit. 5 kW and 7.5 kW can be used in horizontal vertical position. Heaters come equipped with ceiling mounting bracket for horizontal or vertical flow mounting or any position between.