



Environmental Solutions, LLC.

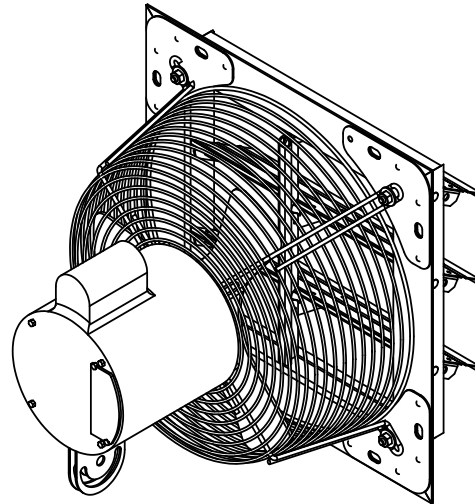
# INSTRUCTIONS

READ AND SAVE THESE INSTRUCTIONS

## Aluminum Shutter Fans

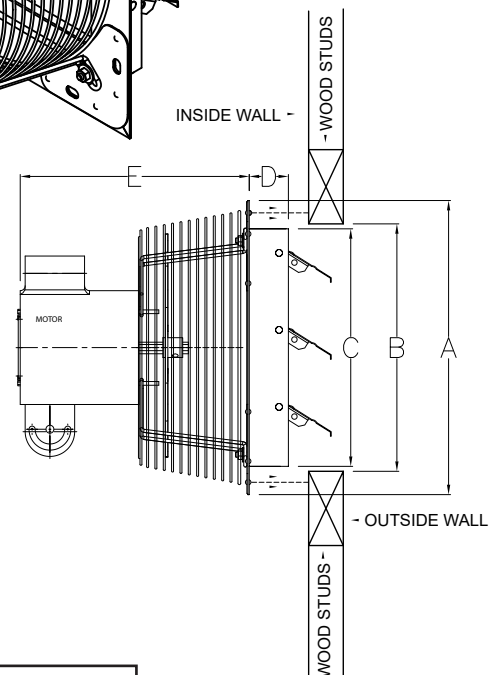
### INSTALLATION

1. Frame in your shutter fan opening using the correct rough opening sizes given in the chart below. *It is recommended to fasten the fan to a wood frame or build a wood frame for the fan to attach to. This will reduce vibration on metal buildings.*
2. Place the shutter fan in the opening as shown in the diagram. Make sure the shutter fan is spaced in the opening so there is no interference on the sides of the shutter fan.
3. Fasten the shutter fan using 4 lag bolts and 4 washers (not supplied) through 4 of the 3/8" x 5/8" slots in the shutter. Try to keep all of the lag bolts as close to the center of the slots as possible. This will allow for some adjustment if the shutter is binding.
4. Once you have the shutter fan fastened make sure all the louvres move freely.
5. These fans have a 3-prong grounded plug wired for 110V and must be plugged into a matching receptacle. Once plugged in please check to make sure the fan works on all speeds.
6. A proper air inlet must be provided with each exhaust fan to ensure the fan is not overloaded. See chart below for recommended inlet opening per fan size.



### INSIDE MOUNT

Attach washers and lag bolts through pre-drilled slots in shutter fan



### MAINTENANCE

Periodically make sure the louvres, guard and blade are free and clear of dirt and dust build up. Remove any dirt or dust by wiping with a cloth. DO NOT use a pressure washer or compressed air.

Item#	A	B	C	D	E	Recommended Inlet Size (Sq Ft)
SFV12C	13.5" X 13.5"	12.5" X 12.5"	12" X 12"	2" X 2"	13"	1.75
SFV16C	17.5" X 17.5"	16.5" X 16.5"	16" X 16"	2" X 2"	13"	2.75
SFV2013C	21.5" X 21.5"	20.5" X 20.5"	20" X 20"	2" X 2"	13"	4.00
SFV24C	25.5" X 25.5"	24.5" X 24.5"	24" X 24"	2" X 2"	13"	5.50

A = Shutter Flange  
 B = Rough Opening  
 C = Shutter Opening  
 D = Shutter Depth  
 E = Guard to Motor Depth

### VES Environmental Solutions, LLC. WARRANTY

VES warrants every new fan to be free of defects and workmanship to the extent that, within 1 year from the date of purchase VES shall either repair or replace at their option, any unit or part thereof, returned to VES freight pre-paid and found to be defective. A return authorization must be obtained prior to any warranty work and a proof of purchase may be required.

This warranty does not include any labor or transportation cost incidental to the removal and reinstallation of the unit at the user's premises. Components repaired or replaced are warranted through the remainder of the original warranty period only. This warranty applies to the original purchaser-user only.

Purchaser is responsible for and shall maintain and use the equipment pursuant to VES's recommendations. No parts will be covered due to the neglect of maintenance on equipment, nor due to electrical surges or lightning or other acts of nature. The purchaser shall hold VES harmless from any claim or loss. Claims may be filed under this warranty and obligations to make repairs shall begin only after the product is paid. This warranty does not cover loss of time, inconvenience, loss of revenue, livestock, poultry, or other consequential damages of any kind.

The limited warranty is given in partial consideration of the time of purchase and is the only warranty offered. There shall be no other warranty either expressed or implied which apply to this purchase.