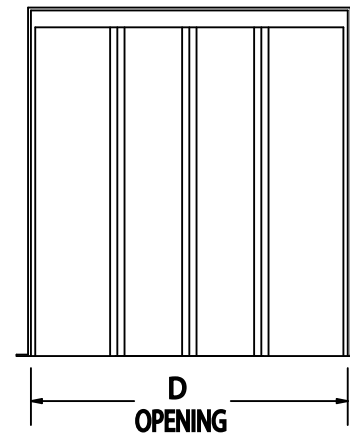
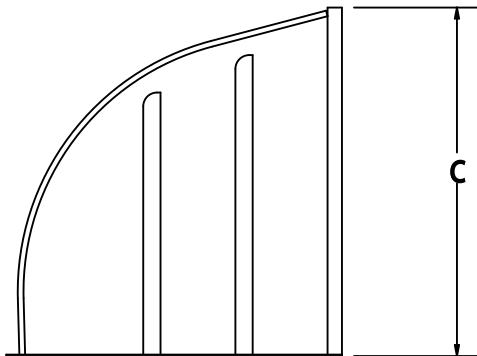
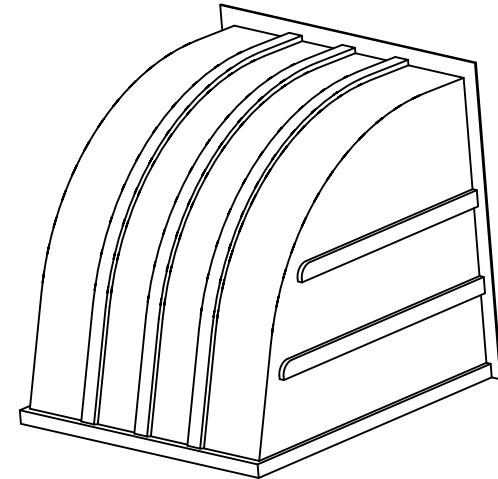
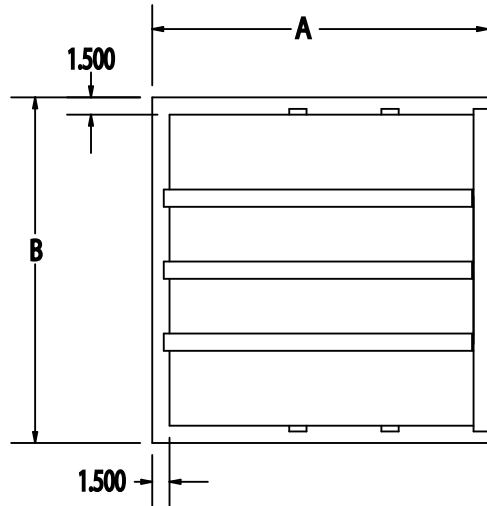




2157 Parkedale Avenue, Brockville, Ontario, K6V 5V6  
 Tel.#613-342-5424 Fax #613-342-8437  
 Internet: [www.canarm.com](http://www.canarm.com)

REV.	DATE	DESCRIPTION



PART #	A	B	C	D
HPF18	23.25	25.00	24.00	21.50
HFP24	29.25	30.00	30.25	27.50

LOCATION



TOLERANCES: $\pm .031$ UNLESS OTHERWISE SPECIFIED	
DRAWN BY:	CHKD BY:
SCALE: NONE	DATE: 04/11/00
DESCRIPTION: FAN HOOD	
MATERIAL: .125" POLYETHYLENE	
DIMENSIONS IN INCHES	DWG.NO.: HFP24

**Non-stock items are non-cancelable and non-refundable without prior authorization.**