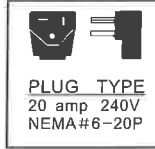
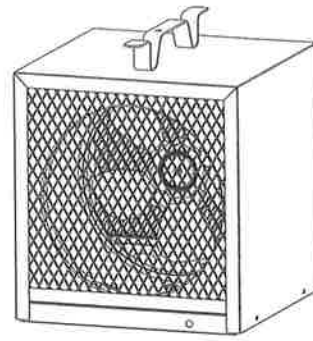
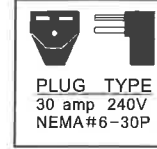


MODEL NO.
HF5840TC
HF5848TC
Portable Unit Heater



For Model No: HF5840TC (4000W)



For Model No: HF5848TC (4800W)

Installation & Maintenance Instructions

WARNING

IMPORTANT INSTRUCTIONS

Read Carefully- These instructions contain vital information for the proper installation, use and efficient operation of the heater. Carefully read these instructions before installation, operation, or cleaning of the heater. User should always following this instructions to reduce the risk of fire, electric shock, and injury to persons

1. Read all instructions before installing or using this heater.
2. Connect to property grounded outlets only. Check heater voltage and amperage on back of heater to make sure it agrees with the electric service supplied.
3. Do not use outdoors.
4. This heater is not intended for use in wet or damp locations. Never locate heater where it may fall into a bathtub or other water container
5. This heater is hot when in use. To avoid burns, do not let bare skin touch hot surfaces. Always use handles when moving this heater. Keep combustible materials, such as furniture, pillows, bedding, papers, clothes, and curtains at least 3 feet (0.9 m) from the front of the heater and away from the sides and rear.
6. Extreme caution is necessary when any heater is used by or near children or invalids and whenever the heater is left operating and unattended.

7. Do not insert or allow foreign objects to enter any ventilation or exhaust opening as this may cause an electric shock, fire, or damage the heater.
8. To prevent a possible fire, do not block air intakes or exhaust in any manner. Do not use soft surfaces, like a bed, where openings may become blocked. Clean as often as necessary to prevent dust from clogging the grilles or element fins. Keep all electrical cords, drapes, paper, plastics and other combustibles away from heater.
9. To disconnect heater, turn selector knob to off position, turn off power to heater circuit at main disconnect panel.
10. Do not run cord under carpeting. Do not cover cord with throw rugs, runners, or similar coverings. Do not route cord under furniture or appliances. Arrange cord away from traffic area and where it will not be tripped over.
11. A heater has hot and arcing or sparking parts inside. Do not use it in areas where gasoline, paint, or flammable liquids are used or stored.
12. Do not operate any heater with a damaged cord or plug or after the heater malfunctions, has been dropped or damaged in any manner. Discard heater, or return to authorized service facility for examination and/or repair.
13. Use this heater only as described in this manual. Any other use not recommended by the manufacturer may cause fire, electric shock, or injury to persons.
14. Always plug heaters directly into a wall outlet/receptacle. Never use with an extension cord or relocatable power tap(outlet/power strip)
15. Always unplug heater when not in use.
16. This heater may include a visual red light to warn that parts of heater are getting excessively hot. If the red lights up, immediately turn the heater off and inspect for any objects on or adjacent to the heater that may have blocked the airflow or otherwise cause high temperature to have occurred. **DO NOT OPERATE THE HEATER WITH THE RED LIGHT LIGHTING UP.**

SPECIFICATIONS

	HF5840TC	HF5848TC	
Voltage	240V	240V	
Frequency	60Hz	60Hz	
Output Power (Watts)	4000W	4800W	
Electric Current (A)	16.7A	20A	
Dimensions	350×290×380mm	350×290×380mm	
Net Weight	6.8KG	7.6KG	

"SAVE THESE INSTRUCTIONS"

GENERAL

Prior to operating heater, make sure the electrical outlet is of the configuration and capacity appropriate for the heater. See outlet configuration on front page of manual. This heater is for use on 240 volts. The cord has a plug as shown in Figure 1. No adapter is available for this blade configuration, and none should be used. The type outlet is a 240 volt grounding outlet. When properly installed, it provides a ground connection through the cord to the heater to protect the operator from electric shock.

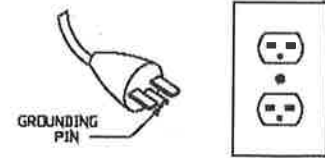


Figure 1

WALL OR CEILING MOUNT APPLICATION

The heater is for wall or ceiling mounting only.

WARNING

BE CAREFUL NOT TO DIRECT THE AIRSTREAM AT DRAPERIES, FURNITURE, OR OTHER OBJECTS THAT COULD BE DAMAGED BY HEAT. DO NOT PLACE THE HEATER WHERE A SMALL CHILD MAY FALL OVER THE HEATER. DO NOT PLACE THE HEATER WHERE THE POWER CORD MAY BE WALKED ON, TRIPPED OVER OR OTHERWISE SUBJECTED TO HARD USAGE.

OPERATING INSTRUCTIONS

Set thermostat to its full counterclockwise position. Plug the unit into a properly grounded 240V outlet. (#6-20 for model HF5840TC , #6-30 for model HF5848TC). Set the thermostat to the farthest clockwise position. The fan should come on and the unit will start heating the room. When the room reaches comfort level, turn the thermostat counterclockwise until the heater turns off. The heater will cycle automatically around this preset temperature. To increase temperature, turn the thermostat knob clockwise. To lower temperature, turn the thermostat counterclockwise. The heater must be properly installed before it is used.

CLEANING AND STORAGE

Turn thermostat off and remove plug from electrical outlet and make sure the heating element of the heater is cool before cleaning heater. Use a soft cloth for dusting. For cleaning, use only a damp rag and non-abrasive dish detergent. Do not use abrasive chemical cleaners as these may harm the finish. If heater is used in very dusty location, use a vacuum cleaner dust brush to remove dust and other foreign material from the grilles. Always unplug cord and wrap around heater handle when not in use. Move heater to a safe location for storage.

MAINTENANCE INSTRUCTIONS

This heater does not require any routine maintenance other than occasional cleaning to prevent clogging of intake grille opening. To clean air intake grille, use vacuum with brush attachment or high pressure air. The motor is permanently lubricated. Do not operate the heater with a damaged cord or plug or if the heater malfunctions or has been damaged in any manner. Return heater to authorized service facility for examination, electrical, or mechanical adjustment, or repair.

WARNING

OPERATION OF THE SAFETY THERMAL LIMIT CONTROL INDICATES THE HEATER HAS BEEN SUBJECTED TO SOME ABNORMAL CONDITIONS. IT IS RECOMMENDED THAT THE HEATER BE CHECKED BY A REPUTABLE ELECTRICIAN OR REPAIR SERVICE TO INSURE THE HEATER HAS NOT BEEN DAMAGED.

INSTALLATION

WALL OR CEILING MOUNTING

THE HF5840TC OR HF5848TC IS SUPPLIED WITH A WALL OR CEILING MOUNTING BRACKET, THE BRACKET SHOULD BE MOUNTED TO A STRUCTURE THAT IS CAPABLE OF SUPPORTING THE BRACKET AND HEATER COMBINED WEIGHT. IDEALLY THE BRACKET SHOULD BE BOLTED TO A WALL STUD, ROOF TRUSS OR TO A BLOCK WALL USING THE PROPER MOUNTING HARDWARE. THE HEATER SHOULD BE MOUNTED AS CLOSE TO THE RECEPTACLE AS POSSIBLE TO ELIMINATE THE USE OF AN EXTENSION CORD.

CAUTION – High temperature, risk of fire, keep electrical cords, drapery, furnishings, and other combustibles at least 3 feet (0.9m) from the front of the heater and away from the side and rear.

To reduce the risk of fire, do not store or use gasoline or other flammable vapors and liquids in the vicinity of the heater.

Drill two holes in a wall / ceiling, the distance of the holes should match the bracket, screw two M10 X 30 screw to wall / ceiling, make sure the bracket is secured, hung the heater as below photo, let the hand-driven screw go through installation opening, secure the screw by a nut.

Do not install closer than 24 inches to furniture, and etc.

Ne pas installer à moins de 24 pouces à l'ameublement, et etc.

Do not install closer than 13 inches to side wall.

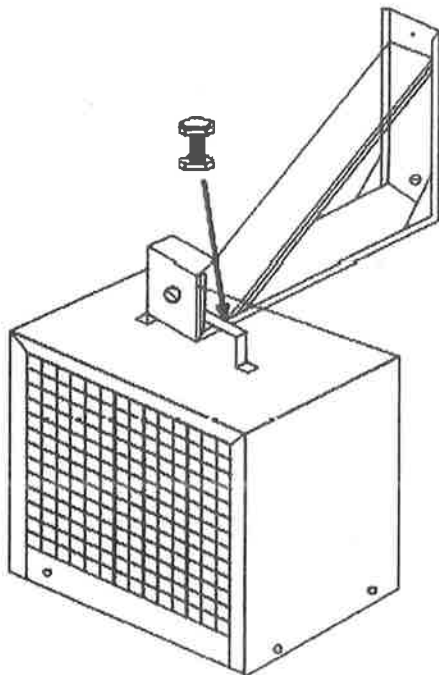
Ne pas installer à moins de 13 pouces la paroi latérale.

Do not install closer than 7³/₈ inches to back wall.

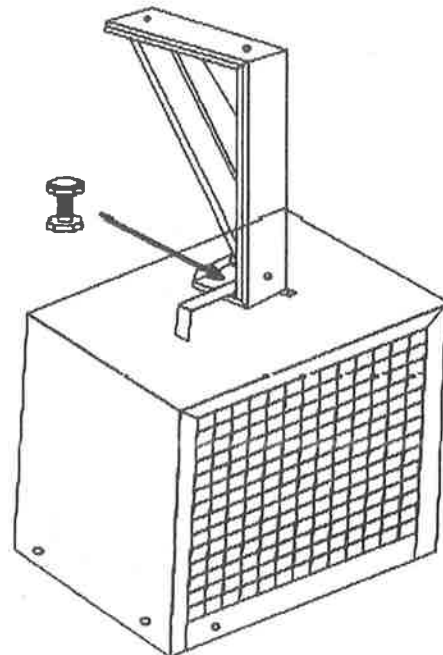
Ne pas installer à moins de 7³/₈ pouces la paroi arrière

CAUTION: MOUNT WITH BOTTOM OF HEATER AT LEAST 2.4m ABOVE FLOOR OR GRADE

ATTENTION : INSTALLER À AU MOINS 2.4 m DU PLANCHER.



WALL MOUNT



CEILING MOUNT