

PLEASE READ AND SAVE THESE INSTRUCTIONS.

Read carefully before attempting to assemble, install, operate or maintain the product described. Protect yourself and others by observing all safety information. Failure to comply with instructions could result in personal injury and/or property damage! Retain instructions for future reference.

Dayton® Heavy Duty Mobile Filtered Fan

Description

The Heavy Duty Mobile Filtered Fan is designed to remove dust particles from circulated air.

- Heavy duty epoxy coated steel
- Galvanized steel prop
- 2-Speed non overloading PSC motor
- Sealed ball bearings
- 2 swivel and 2 fixed casters for easy mobility
- 115 volt, 1/2 HP, 1 PH
- UL / CUL listed
- Easy to replace filters

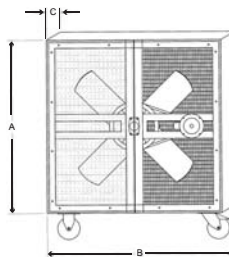


Figure 1

Specifications

Model	CFM	HP	Propeller Dia.	Fan RPM	Volts	Amps	Dimensions		
							A	B	C
2VZH3	3,606	1/2	30"	627	115	5.04	36"	34"	21"
2VZH4	4,463	1/2	36"	530	115	5.28	41.50"	39"	21"
2VZH5	5,460	1/2	36"	850	115	4.5	41.50"	39"	21"
2VZH6	5,702	1/2	42"	377	115	6.19	47.50"	45"	21"

Unpacking

After unpacking unit, inspect carefully for any damage that may have occurred during transit. Check for loose, missing, or damaged parts. Shipping damage claim must be filed with carrier. Please make note of the model and serial numbers here for future reference.

General Safety Information

⚠ WARNING To reduce the risk of fire or electric shock do not use any solid-state speed control device with this fan.

⚠ CAUTION Disconnect fan from power supply before servicing to reduce risk of fire or electric shock.

Assembly

The fan is fully assembled. Just remove from cartoning, set up in desired location, attach to appropriate power source, and activate at the switch.

Power Source

Insure that the power source conforms to the electrical requirmentns of the fan (115Volt, 60 Hz current, 15 Amp. min.) Follow all local safety and electrical codes regarding power source.

Safe Operation

Do not use ground adapters. Do not kink cord or let it come into contact with sharp edges, grease or chemicals. Turn switch to the "off" position before connect or disconnecting wit the power source. Unplug fan to move or service. Do not use any solid state speed control devices. Do not use in any flammable, explosive or chemically laden environment.

ENGLISH

ESPAÑOL

FRANÇAIS

Dayton® Heavy Duty Mobile Filtered Fan

ENGINE

Maintenance

MAINTENANCE NOTES

This unit has rotating parts and safety precautions should be exercised. Very little to no maintenance should be required under conditions of normal service. Motor is supplied with prelubricated ball bearings, lubricated for life of the motor. Periodical cleaning to remove build up of foreign material is suggested. Failure to do so may result in unwanted vibration and / or premature motor failure. Capacitor covers may eventually require replacement.

▲ WARNING *To reduce the risk of fire, electric shock, or injury to persons, observe the following:*

Use this unit only in the manner intended by the manufacturer. If you have questions, contact the manufacturer.

Before servicing or cleaning unit, switch power off at service panel.

Installation work and electrical wiring must be done by qualified person(s) in accordance with all applicable codes and standards, including fire-related construction.

When cutting or drilling into wall or ceiling, do not damage electrical wiring and other hidden utilities.

INSTALLATION RECORD. Please complete for future use.

Model # _____

Serial # _____

Purchased from _____

Date Purchased _____ Date Installed _____

For Repair Parts, call 1-800-323-0620

24 hours a day- 365 days a year

Please provide the following information:

-Model number

-Serial number (if any)

-Part description and number as shown in parts list

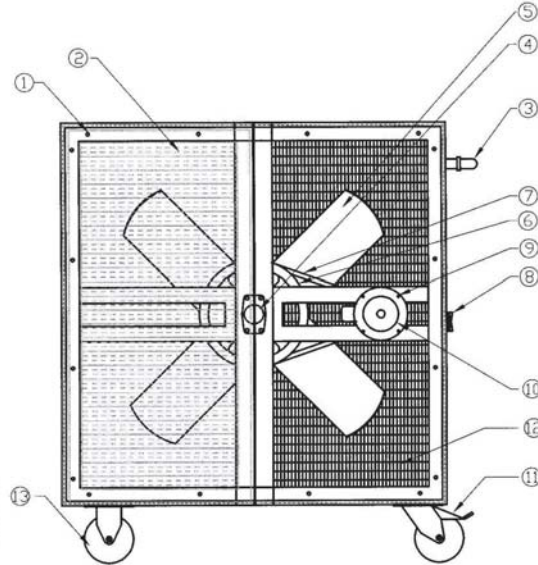


Figure 2- Repair Parts Illustration

Repair Parts List for Fan

Reference Number	Description	Part Number for Models				Quantity
		2HZH3	2VZH4	2VZH5	2VZH6	
1	Screw	00036	00036	00036	00036	8
2	Filter	07290	07291	07291	07292	2
3	Handle	05090	05090	05090	05090	1
4	Bearing Assembly	06472	06472	N/A	06472	1
5	Prop	06456	06457	05244	06520	1
6	Pulley	80100	80550	N/A	80555	1
7	Belt	82851	82847	N/A	82827	1
8	Switch	01722	01722	01721	01722	1
9	Motor	78026	78026	78027	78026	1
10	Pulley	80688	80668	N/A	74188	1
11	Swivel Locking Caster	06468	06468	06468	06468	2
12	Guard Assembly	07600	07601	07601	07602	2
13	Fixed Caster	04916	04916	04916	04916	2
14	Cord	01607	01607	01607	01607	1

Dayton® Heavy Duty Mobile Filtered Fan

ES-1-GE

LIMITED WARRANTY

DAYTON ONE-YEAR LIMITED WARRANTY. DAYTON® 2VZH3, 2VZH4, 2VZH5, 2VZH6 MODELS COVERED IN THIS MANUAL, ARE WARRANTED BY DAYTON ELECTRIC MFG. CO. (DAYTON) TO THE ORIGINAL USER AGAINST DEFECTS IN WORKMANSHIP OR MATERIALS UNDER NORMAL USE FOR ONE YEAR AFTER DATE OF PURCHASE. ANY PART WHICH IS DETERMINED TO BE DEFECTIVE IN MATERIAL OR WORKMANSHIP AND RETURNED TO AN AUTHORIZED SERVICE LOCATION, AS DAYTON DESIGNATES, SHIPPING COSTS PREPAID, WILL BE, AS THE EXCLUSIVE REMEDY, REPAIRED OR REPLACED AT DAYTON'S OPTION. FOR LIMITED WARRANTY CLAIM PROCEDURES, SEE "PROMPT DISPOSITION" BELOW. THIS LIMITED WARRANTY GIVES PURCHASERS SPECIFIC LEGAL RIGHTS WHICH VARY FROM JURISDICTION TO JURISDICTION.

LIMITATION OF LIABILITY. TO THE EXTENT ALLOWABLE UNDER APPLICABLE LAW, DAYTON'S LIABILITY FOR CONSEQUENTIAL AND INCIDENTAL DAMAGES IS EXPRESSLY DISCLAIMED. DAYTON'S LIABILITY IN ALL EVENTS IS LIMITED TO AND SHALL NOT EXCEED THE PURCHASE PRICE PAID.

WARRANTY DISCLAIMER. A DILIGENT EFFORT HAS BEEN MADE TO PROVIDE PRODUCT INFORMATION AND ILLUSTRATE THE PRODUCTS IN THIS LITERATURE ACCURATELY; HOWEVER, SUCH INFORMATION AND ILLUSTRATIONS ARE FOR THE SOLE PURPOSE OF IDENTIFICATION, AND DO NOT EXPRESS OR IMPLY A WARRANTY THAT THE PRODUCTS ARE MERCHANTABLE, OR FIT FOR A PARTICULAR PURPOSE, OR THAT THE PRODUCTS WILL NECESSARILY CONFORM TO THE ILLUSTRATIONS OR DESCRIPTIONS. EXCEPT AS PROVIDED BELOW, NO WARRANTY OR AFFIRMATION OF FACT, EXPRESSED OR IMPLIED, OTHER THAN AS STATED IN THE "LIMITED WARRANTY" ABOVE IS MADE OR AUTHORIZED BY DAYTON.

Technical Advice and Recommendations, Disclaimer. Notwithstanding any past practice or dealings or trade custom, sales shall not include the furnishing of technical advice or assistance or system design. Dayton assumes no obligations or liability on account of any unauthorized recommendations, opinions or advice as to the choice, installation or use of products.

Product Suitability. Many jurisdictions have codes and regulations governing sales, construction, installation, and/or use of products for certain purposes, which may vary from those in neighboring areas. While attempts are made to assure that Dayton products comply with such codes, Dayton cannot guarantee compliance, and cannot be responsible for how the product is installed or used. Before purchase and use of a product, review the product applications, and all applicable national and local codes and regulations, and be sure that the product, installation, and use will comply with them.

Certain aspects of disclaimers are not applicable to consumer products; e.g. (a) some jurisdictions do not allow the exclusion or limitation of incidental or consequential damages, so the above limitation or exclusion may not apply to you; (b) also, some jurisdictions do not allow a limitation on how long an implied warranty lasts, consequently the above limitation may not apply to you; and (c) by law, during the period of this Limited Warranty, any implied warranties of implied merchantability or fitness for a particular purpose applicable to consumer products purchased by consumers, may not be excluded or otherwise disclaimed.

Prompt Disposition. A good faith effort will be made for prompt correction or other adjustment with respect to any product which proves to be defective within limited warranty. For any product believed to be defective within limited warranty, first write or call dealer from whom the product was purchased. Dealer will give additional directions. If unable to resolve satisfactorily, write to Dayton at address below, giving dealer's name, address, date, and number of dealer's invoice, and describing the nature of the defect. Title and risk of loss pass to buyer on delivery to common carrier. If product was damaged in transit to you, file claim with carrier.

Manufactured for Dayton Electric Mfg. Co., 5959 W. Howard St., Niles, Illinois 60714 U.S.A.