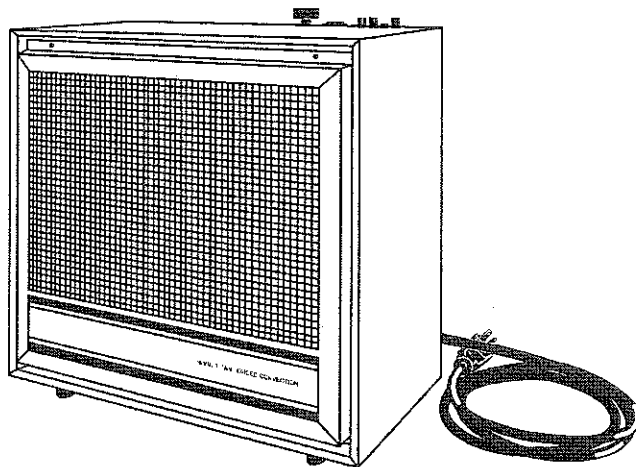


474 SERIES PORTABLE HEATER



OPERATING INSTRUCTIONS



TPI Corporation
P.O. Box 4973
Johnson City, TN
37602-4973

America's Comfort Conditioning Company

IMPORTANT INSTRUCTIONS

When using electrical appliances, basic precautions should always be followed to reduce the risk of fire, electric shock, and injury to persons, including the following:

1. Read all instructions before using this heater.
2. **CAUTION:** Hazard of Electric Shock. Disconnect from power supply before servicing or cleaning.
3. To disconnect heater, turn controls to off, then remove plug from outlet.
4. Connect to properly grounded outlet (or circuit) only.
5. **CAUTION:** High temperatures. Keep cords and all other combustible material, such as furniture, pillows, bedding, papers, clothes and curtains away from the heater. For safe and efficient operation, keep an open space around heater of three feet in front and twelve inches at sides and rear.
6. This heater is hot when in use. To avoid burns, do not let bare skin touch hot surfaces. Use the handle when moving this heater.
7. Do not use outdoors.
8. This heater is not intended for use in bathrooms, laundry areas and similar locations. Never locate heater where it may fall into a bathtub or other water containers.
9. A heater has hot and arcing or sparking parts inside. Do not use in areas where gasoline, paint, or flammable liquids are used or stored.
10. Always unplug heater when not in use.
11. Extreme caution is necessary when any heater is used by or near children or invalids and whenever the heater is left operational and unattended.
12. Do not operate any heater with a damaged cord or plug or after the heater malfunctions, has been dropped or damaged in any manner. Return heater to authorized service facility for examination, electrical or mechanical adjustment, or repair.
13. Do not run cord under carpeting. Do not cover cord with throw rugs, runners, or the like. Arrange cord away from traffic area and where it will not be tripped over.
14. The manufacturer recommends that an extension cord **NOT** be used with this heater. Avoid the use of an extension cord as it may overheat and cause a risk of fire; however, if an extension cord is used, it must be at least the minimum wire size and rating specified in the table listed in these instructions.
15. To prevent a possible fire, do not block air intakes or exhaust in any manner. Do not use on soft surfaces, like a bed, where openings may become blocked.
16. Do not insert or allow foreign objects to enter any ventilation or exhaust opening as this may cause an electric shock or fire, or damage the heater.
17. Use this heater only as described in this manual. Any other use not recommended by the manufacturer may cause fire, electric shock, or injury to persons.
18. This heater uses a manual reset type limit control, which opens the circuit to the heating element. If any over-temperature condition occurs. Disconnect the heater, determine cause of overheating and correct the problem. Then after heater has cooled, using a small diameter tool, push to reset through the small hole in heater cabinet to resume operation.

IMPORTANT: OWNER SHOULD RETAIN THESE INSTRUCTIONS FOR FUTURE REFERENCE

MAINTENANCE INSTRUCTIONS:

- Always unplug your portable electric heater before cleaning or disassembling
- Do not bend or damage heating elements when cleaning. Any bending or breaking will cause your heater to be inoperable.
- Your heater requires dusting. Always use a clean, dry cloth for dusting or a crevice tool on your vacuum cleaner to remove built-up dust and lint. **DO NOT USE WATER.** The motor in your heater requires oiling. Use 1 or 2 drops of SAE-20 oil on the bearing areas of the motor prior to each heating season.
- Any other servicing should be performed by an authorized service representative.
- When heater is not in use, disconnect and roll up cord.
- When heater is not used for extended periods, clean as directed above and store in original carton to prevent possible damage.

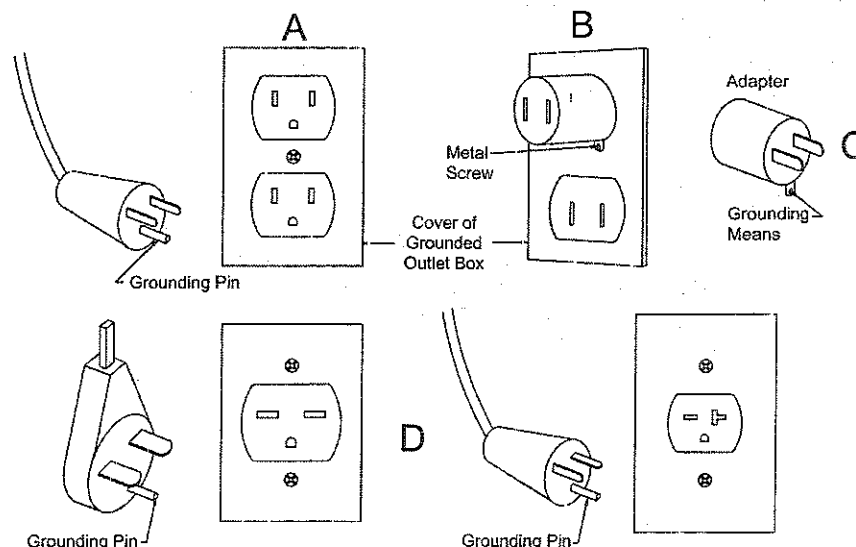
NOTE: Altering this heater, in any way, will void your warranty.

Heater Wattage	Supply Voltage	Heater Amperage	Minimum Supply Wire or Extension Cord Size-AWG	Receptacle & Plug Rating
5600/4200	240/208	23.4/20.2	10/10	30 Amp. 250 Volt
5000/3750	240/208	20.8/18.0	10/10	30 Amp. 250 Volt
5000	208	24	10	30 Amp. 250 Volt
4000/3000	240/208	16.7/14.5	10/10	30 Amp. 250 Volt
4000	208	19.2	10	30 Amp. 250 Volt
3000/2250	240/208	12.5/10.9	12/12	30 Amp. 250 Volt
2000/1500	240/208	8.4/7.3	12/12	30 Amp. 250 Volt
2000	208	9.6	12	30 Amp. 250 Volt
1500/1125	240/208	6.3/5.4	12/12	30 Amp. 250 Volt

GROUNDING INSTRUCTIONS:

For heaters rated for use on 120 volts, if the cord has a plug as shown at "A" below, an adapter as shown at "C" is available for connecting three-blade grounding-type plugs to two-slot receptacles. The green ground lug extending from the adapter must be connected to a permanent ground such as a properly grounded outlet box. The adapter should not be used if a three-slot grounded receptacle is available.

For heaters rated for use on 240 or 208 volts, the cord has one of the plug caps as shown in "D" below. No adapter is available for these blade configurations, and none should be used. The type outlet is a 240 or 208 volt grounding outlet. When properly installed, it provides a ground connection through the cord to the heater to protect the operator from electric shock.



IMPORTANT NOTE: The pilot light incorporated in this heater is always on whenever the heater is connected to a power supply. The pilot light is an indicator that the heating elements are energized or can be energized regardless of the thermostat setting.