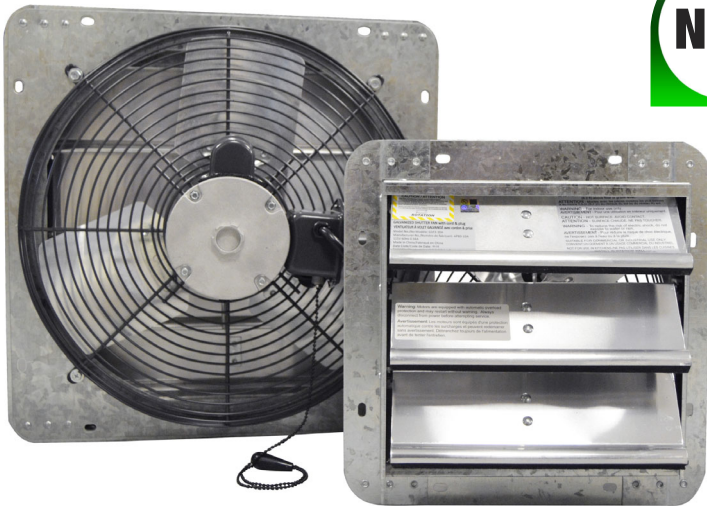


NEW

GSF

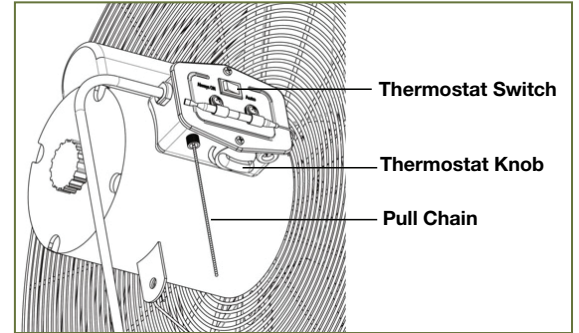
Galvanized Shutter Fan Complete with Cord and Plug and Pull Chain Switch

Canarm's GSF series wall exhaust fans are ideal for light commercial applications. They feature smooth, reliable, maintenance free operation. Available in 10" to 30" sizes - 3 speed pull chain on all sizes except the 30" which is 2 speed. The fans have a galvanized frame with aluminum shutters.



FEATURES

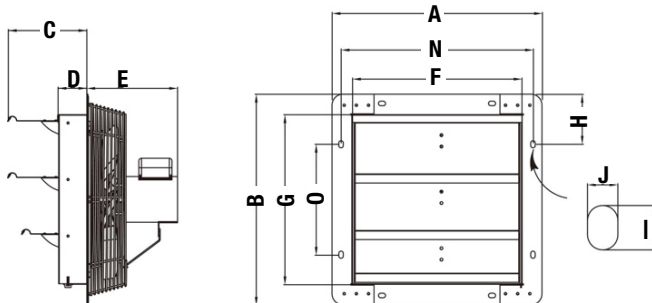
- Available in 10" to 30" sizes
- 600 to 5000 CFM
- Totally enclosed, class B insulation, thermally protected 120V motors
- 3 speed pull chain on all sizes except 30" which is 2 speed
- Galvanized frame with aluminum shutters
- Includes 25" pull chain and 6' long cord and plug
- Complete with adjustable thermostat and bypass, temperature range 32° F to 130° F (0° C to 54° C)



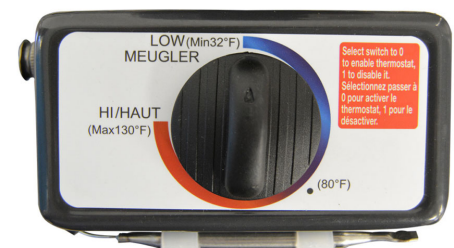
SPECIFICATIONS

Model Number	Propeller Diameter	CFM	Motor RPM	Motor HP	Full Load Amps	Bearing Type	Speed Control	No. of Shutter Blades
GSF3-10A	10"	600	1520	1/25	0.56	Sleeve	3	3
GSF3-12A	12"	772	1610	1/20	0.6	Sleeve	3	3
GSF3-16A	16"	1200	1580	1/20	0.83	Ball	3	4
GSF3-18A	18"	1736	1070	1/15	0.9	Ball	3	5
GSF3-20A	20"	3368	1075	1/4	2.59	Ball	3	5
GSF3-24A	24"	4244	1050	1/4	2.65	Ball	3	6
Two Speed								
GSF2-30B	30"	5088	825	1/3	3.1	Ball	2	8

DIMENSIONS



THERMOSTAT CONTROL PANEL



Model Number	Propeller Diameter	A	B	C	D	E	N	G	F	O	H	J	I	Suggested wall opening (sq)
GSF3-10A	10"	13"	13"	4 17/32"	2"	5 7/8"	11 21/32"	10 1/8"	10 1/8"	6"	3 17/32"	9/32"	1/2"	10 1/2"
GSF3-12A	12"	15"	15"	5 3/4"	2"	6 5/32"	13 5/8"	12 1/8"	12 1/8"	8"	3 17/32"	9/32"	1/2"	13"
GSF3-16A	16"	18 29/32"	18 29/32"	5 3/4"	2"	7 7/8"	17 3/4"	16"	16"	11 29/32"	3 17/32"	9/32"	1/2"	17"
GSF3-18A	18"	21"	21"	5 3/4"	2"	8 3/4"	19 11/16"	18"	18"	14"	3 17/32"	9/32"	1/2"	19"
GSF3-20A	20"	23"	23"	5 3/4"	2"	11"	21 25/32"	20"	20"	16"	3 17/32"	9/32"	1/2"	21"
GSF3-24A	24"	27"	27"	5 3/4"	2"	11"	25 21/32"	24 1/8"	24 1/8"	20 1/32"	3 17/32"	9/32"	1/2"	25"
GSF2-30B	30"	33"	33"	5 3/4"	3"	13 3/32"	31 5/8"	30 1/8"	30 1/8"	26"	3 17/32"	9/32"	1/2"	31"