

WARNING! Read all important information notices on pages 2-4



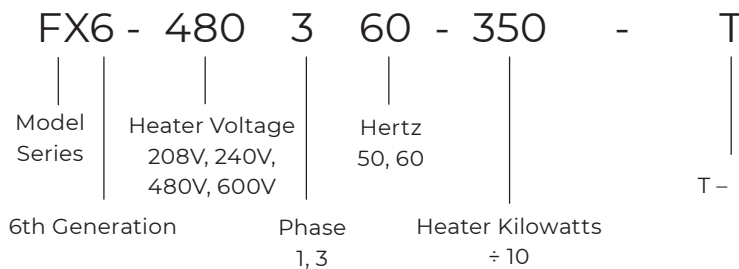
Electric Forced Air Heaters for Hazardous Locations

FX6 Series

Installation, Operation, & Maintenance Instructions



Model Coding



- T – XT-311 Thermostat with slim junction box
- XT-411 Thermostat with large junction box
- D – Built-in disconnect
- C – Heresite® coating
- A – Stainless steel cabinet
- U – Continuous fan
- L – Large junction box
- P – Built-in pilot light



approved Locations

The Electric Forced Air Heaters are cUL_{US} listed certified for the following locations:
 Class I, Division 1 & 2, Groups C & D; Class II, Division 1, Groups E, F & G; Class II, Division 2, Groups F & G; Class I, Zones 1 & 2, Groups IIA & IIB; Zones 20, 21 & 22; Temperature Code T3B 329°F (165°C) (50 Hz & 60 Hz Models)

For details of hazardous locations with potential for explosion, refer to the Canadian Electrical Code, Part 1, Section 18 or National Electrical Code articles 500-516.



WARNING. Improper installation adjustment, alteration, excessive vibration, service, or maintenance can cause property damage, injury or death. Read the installation, operating and maintenance instructions thoroughly before installing, operating or servicing this equipment.

Special Notes

The following special notices highlight important information in the installation, operation and maintenance sections.



This symbol indicates a potentially hazardous situation, which, if not avoided, can result in personal injury or damage to the equipment.



This symbol indicates a potentially hazardous situation, which, if not avoided, may be a shock hazard.



This symbol indicates an imminently hazardous situation, which, if not avoided, could result in death or serious injury.

TABLE OF CONTENTS

A. Heater Maintenance Checklist	3
A.1 Preventative Maintenance Grid	3
A.2 Periodic.....	4
A.3 Annual.....	4
B. Important Notices	5
C. Troubleshooting Tips	6
D. Installation	7
D.1 Mechanical	7
D.2 Electrical	9
D.3 Wiring Schematics.....	11
E. FX6 Technical Data	12
E.1 50 Hz Electric Heaters.....	12
E.2 60 Hz Electric Heaters.....	13
F. Specifications	14
F.1 50 Hz Models.....	14
F.2 60 Hz Models.....	15
G. Parts Assembly Diagram	16
H. Parts List	17
I. Repair & Replacement	18

A. HEATER MAINTENANCE CHECKLIST

Heater Model _____ Date of Maintenance _____

Serial Number _____ Maintenance Done By _____

Comments _____



WARNING

Disconnect heater from power supply at integral disconnect or fuse box before opening enclosures or servicing heater. IF INTEGRAL DISCONNECT IS BEING SERVICED, verify that power has been disconnected at fuse box or main panel.

Lock the switch in the “OFF” (open) position and/or tag the switch to prevent unexpected power application.

This heater should only be serviced by personnel with heating and hazardous location equipment experience.

A.1 Preventative Maintenance Grid

Cells of the grid with check boxes inside are the minimum maintenance measures required to be performed at the indicated time periods.

To-Do	Description	Regular Service				Severe Service			
		Annual Start Up	Monthly	Every 3 Months	Every 6 Months	Annual Start Up	Monthly	Every 3 Months	Every 6 Months
Clean	Remove dust using compressed air. Do not spray with water or solvents. Do not immerse in water or solvents. Clean the following: 1. Motor 2. Louvers 3. Finned Tubes 4. Fan 5. Fan Guard	<input type="checkbox"/>		<input type="checkbox"/>		<input type="checkbox"/>		<input type="checkbox"/>	
Check	1. Motor for smooth, quiet operation 2. Louvers for proper angle and tightness 3. All explosion-proof covers for tightness 4. Pressure relief device for signs of leakage. See Figure 1, page 5 and refer to A.3 Annual, page 4 for further instructions.	<input type="checkbox"/>				<input type="checkbox"/>		<input type="checkbox"/>	
Electrical Inspection	1. Inspect all terminal connections and conductors:* Tighten loose connections. Replace conductors with damaged insulation and frayed wiring.*	<input type="checkbox"/>			<input type="checkbox"/>	<input type="checkbox"/>		<input type="checkbox"/>	
	2. Inspect contactor contacts: If badly pitted, burned or welded shut, replace with factory supplied contactor.*	<input type="checkbox"/>			<input type="checkbox"/>	<input type="checkbox"/>		<input type="checkbox"/>	
	3. Check fuses: The correct fuse rating and type are printed on the circuit board. Always ensure a backup fuse is available on the PCB.*	<input type="checkbox"/>			<input type="checkbox"/>	<input type="checkbox"/>		<input type="checkbox"/>	
Mechanical Inspection	1. Fluid leakage: Inspect the Pressure Relief Device (PRD) label indicator for signs of rupture and degradation. If any fluid leakage occurs from the heater, disconnect it from the power supply and replace the core immediately.*		<input type="checkbox"/>			<input type="checkbox"/>	<input type="checkbox"/>		
	2. Enclosures: The interiors of each enclosure must be clean, dry, and free of foreign materials.*	<input type="checkbox"/>				<input type="checkbox"/>		<input type="checkbox"/>	
	3. Motor shaft bearing and play: If the motor does not run quietly and smoothly and has excessive play, replace the motor.*	<input type="checkbox"/>				<input type="checkbox"/>		<input type="checkbox"/>	

*For drilling rigs, this should be done every rig re-location.

A.2 Periodic (before and as required during heating season)

• Clean

- Motor
- Louvers
- Finned Tubes
- Fan
- Fan Guard

• Check

- Motor for smooth, quiet operation
- Louvers for proper angle and tightness
- All explosion-proof covers for tightness
- Pressure relief device for signs of leakage. See Figure 1, page 5 and refer to A.3 Annual, page 4, for further instructions.

A.3 Annual (before heating season)

• Mechanical Check

- Fluid leakage. The heater core is vacuum charged and contains proprietary heat transfer fluid. Inspect the Pressure Relief Device label indicator for signs of rupture and degradation. If the paper is torn, disintegrated or otherwise compromised this is an indication that fluid has leaked from the core. If any fluid leakage occurs from the heater, disconnect it from the power supply and have the core replaced. A factory supplied exchange core can be shipped from stock. Refer to Section Repair & Replacement, page 18 for details.
- All enclosures. Interior of enclosures must be clean, dry and free of foreign materials. Threaded covers must be installed and hand tight.

Note: Enclosure joints are metal to metal. Do not use gasket material or sealant in joints. A grease is applied to the joints at the factory and should be left intact.
- Motor shaft bearing play. Replace motor if play is excessive, or if motor does not run quietly and smoothly. Motor bearings are permanently lubricated.
- Fan. Replace immediately if cracked or damaged.
- Louvers. Screws should be tight. Louvers shall not be fully closed or override stops.
- Tightness of all hardware. All nuts and bolts, including mounting hardware, must be tight.
- Turn heater on for a minimum of five minutes. Check for warm air exiting heater through louvers. Crackling or pinging noises within heater during start-up are normal.

• Electrical Check

- All terminal connections and conductors. Tighten loose connections. Conductors with damaged insulation must be replaced.
- Inspect contactor contacts. If badly pitted, burned or welded shut, replace with factory supplied contactor. For severe duty conditions such as arctic duty or drilling rigs, Thermon recommends the contactor be replaced every two years.
- Fuses. Fuse rating and type are on printed circuit board. Correct fuse must be in the active fuse clip. It is recommended that a spare fuse be stored in the spare fuse clip.
- All explosion-proof conduits. Replace damaged conduits. All threaded conduit connections must have a minimum 5 turns engagement. Straight threaded conduit must protrude a minimum of 1/16" (1.6 mm) inside enclosures. Taper threaded connections must be at least hand tight.
- Electrical resistance on all load side legs. Reading should be balanced ($\pm 5\%$).



B. IMPORTANT NOTICES



WARNING. Read and adhere to the following. Failure to do so may result in severe or fatal injury. **WARRANTY WILL BE VOID.**



WARNING. Appropriate protection against ground faults, such as a ground-fault circuit interrupter or GFCI, is required to be used with this equipment. Failure to provide protection against electrical grounding or bonding during the use of this equipment can result in property damage, personal injury, or death. In addition, this equipment must be effectively grounded in compliance with all applicable electrical codes and standards.

1. Read and follow all instructions in this manual.
2. Heater is to be used only in atmospheres having an ignition temperature higher than the heater's maximum rated operating temperature as shown on the heater data plate. Refer to applicable electrical codes for additional information.
3. Heater to be used only in the hazardous locations indicated on the heater's data plate.
4. Heater is for dry indoor use only. Do not immerse in water. Do not store or use in areas exposed to rain or snow.
5. Heater is to be connected and serviced only by a qualified electrician experienced with hazardous location equipment.
6. Installation and wiring of the heater must adhere to all applicable codes.
7. Disconnect heater from power supply at integral disconnect or fuse box before opening enclosures or servicing heater. **IF INTEGRAL DISCONNECT IS BEING SERVICED, verify that power has been disconnected at fuse box or main panel. Lock the switch in the "OFF" (open) position and/or tag the switch to prevent unexpected power application.**
8. This heater is equipped with a bimetal over-temperature high-limit. It is of the automatic reset type and therefore the heater may restart without warning. The unit comes with secondary high-limit that will trip an internal breaker if it goes over-temperature. If secondary high limit activates, the heater requires inspection by authorized personnel. The heater is not to be operated with either over-temperature protection devices bypassed or circumvented.
9. Venting pressure of the Pressure Relief Device (PRD) is factory set. Do not tamper with lock nut. (See Figure 1, page 5.)
10. Do not tamper or remove warning label indicator on the PRV.
11. The heater is equipped with a backup overpressure relief device. This is a single use device. If activated, do not circumvent this device to operate the heater. Activation of this device necessitates removing the heater immediately from service for evaluation.
12. Operate the heater only while it is permanently mounted in an upright position. Refer to Section D. Installation, page 7 for details.
13. Heater must be kept clean. When operating in a dirty environment, regularly clean the finned tubes, fan, and fan guard. Follow the recommended maintenance procedures. Refer to Section A. Heater Maintenance Checklist, page 3 for details.
14. The heater core is vacuum charged and contains proprietary heat transfer fluid. If any fluid leakage occurs from the heater, disconnect it from the power supply and have the core replaced with a factory supplied core. Refer to Section I. Repair & Replacement, page 18 for details.
15. Do not operate the heater with any of the louvers fully closed or overriding their stops.
16. Do not operate the heater in atmospheres corrosive to steel or aluminum.
17. Do not operate heater in ambient temperatures above 104°F (40°C).
18. Use factory approved replacement parts only.
19. See applicable electrical codes for seal requirements in field installed conduits. Factory installed conduits require no further sealing.
20. Crackling or pinging noises within the heater core during start up may occur. This is normal.
21. Air discharge near the bottom of the heater may be warmer than the top. This is normal.
22. If there are any questions or concerns regarding the heater, contact the factory. Refer to the back cover of this manual for details.

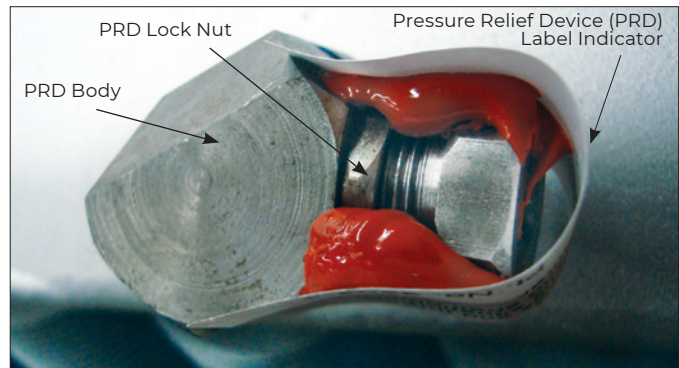


Figure 1

C. TROUBLESHOOTING TIPS

1. Heater is not operating.
 - 1.1 Check all fuses in heater control box.
 - 1.2 Check remote disconnect switch and circuit breaker.
 - 1.3 Check voltage supplied to the heater – refer to the heater data plate for voltage requirements.
 - 1.4 Check thermostat by turning it and check continuity with a multimeter.
 - 1.5 Check the condition of the disconnect switch if the heater is so equipped. Measure continuity through the disconnect by engaging the switch.
 - 1.6 Verify that there is a jumper wire present between terminals 5 and 6 on the terminal block located in the control box.
 - 1.7 Check that internal breaker has not opened. If internal breaker has opened it is indication that an over-temperature event has occurred. Heater must be thoroughly evaluated by qualified personnel to ensure it is in proper working order before resetting this device.
2. Contactor is chattering.
 - 2.1 Check supply voltage.
 - 2.2 Check wiring connections. Tighten all loose electrical connections.
 - 2.3 Check thermostat for continuity (See 1.4, page 6). If thermostat does not break continuity replace thermostat.
3. Contactor is burned or welded.
 - 3.1 Check the contactor for burn marks and blackening. Replace the contactor.
 - 3.2 Check incoming power to the heater to ensure there are no voltage fluctuations.
4. Heat exchanger is dirty.
 - 4.1 Clean the heat exchanger using compressed air.
5. Pressure Relief Devices.
 - 5.1 If there are signs that the Pressure Relief Device has released fluid, Pressure Relief Device indicator is broken, blackening around the Pressure Relief Device exit hole, or there are fluid stains visible on the top louver, shut the unit down immediately. Activation requires the heater be removed from service for inspection by authorized personnel. Do not circumvent the overpressure devices to operate the heater. Lock out/ tag out heater according to site procedures.
 - 5.2 Check for restricted air flow, bad motor, broken thermostat or malfunctioned high limit.
 - 5.3 There is a secondary Pressure Relief Device to insure safety of the unit.
 - 5.4 If the secondary pressure relief device has opened, shut the unit down immediately. This is a single use device. Activation requires the heater be removed from service for inspection by authorized personnel. Do not circumvent the overpressure device to operate the heater. Lock out/ tag out heater according to site procedures.
6. Heater is cold on top and warm on bottom.
 - 6.1 The core may have lost its vacuum. Check the pressure relief devices for signs of loss of fluid and verify that the pressure relief devices label indicator is not broken. If pressure relief devices has released, send the unit in for repair or replace the core.
 - 6.2 If the Pressure Relief Device does not indicate loss of fluid, the heater should operate normally.
 - 6.3 The ambient temperature may be too low. If the ambient temperature is very cold the top of the core will be colder than the bottom – this is normal.
7. Unit cycles on high limit – unit turns on and turns off within less than 5 minutes.
 - 7.1 Check and see if the pressure relief devices has released fluid. Core may have lost most or all of its fluid. If Pressure Relief Device has released, the unit requires inspection by authorized personnel.
 - 7.2 The core may be dirty, fan may not be working or may be turning the wrong direction (the fan must rotate clockwise as seen from the front of the unit) objects may be stuck in the heat exchanger for drying or warming up – remove any items from the exchanger.
8. The Ground Fault Interrupter (GFI) trips on the main panel, or heater blows fuses.
 - 8.1 Check that you have a fuse of the proper amperage rating.
 - 8.2 Check the pressure relief device for signs of loss of fluid and verify that the pressure relief device label is not broken.
 - 8.3 If condition is not observable, send heater in for repair.
 - 8.4 Heat exchanger needs to cool in order to engage switch to "ON" position.
 - 8.5 Contact factory if further assistance is needed.
9. The fan is turning but very little air comes from the front of the heater.
 - 9.1 Check fan rotation and ensure that the fan turns clockwise as seen from the front of the heater. Refer to the Installation section below for more information.
 - 9.2 Check motor winding resistance and verify that they are within tolerance.
 - 9.3 Check fan blade set screws to ensure fan blade is not loose on the motor shaft.

D. INSTALLATION General Guideline for Installation and Wiring

All applicable codes must be adhered to. For optimum heating, the heater should be installed as follows:

D.1 Mechanical

1. Location

- 1.1 There are no obstructions that may impede the heater's air inlet or discharge.
- 1.2 The air discharge is directed into open areas and not at occupants.
- 1.3 The air discharge is not directed at a thermostat.
- 1.4 The air discharge is directed across areas of heat loss, such as doors and windows (see Figure 2, page 7).
- 1.5 The air discharge is directed along and at a slight angle toward exterior walls (see Figure 2, page 7).
- 1.6 If equipment freeze protection is important, direct air discharge at equipment.
- 1.7 Air discharge streams support each other and create a circular air flow. It is not required that the heater's air throw reaches the next heater (see Figure 2, page 7).

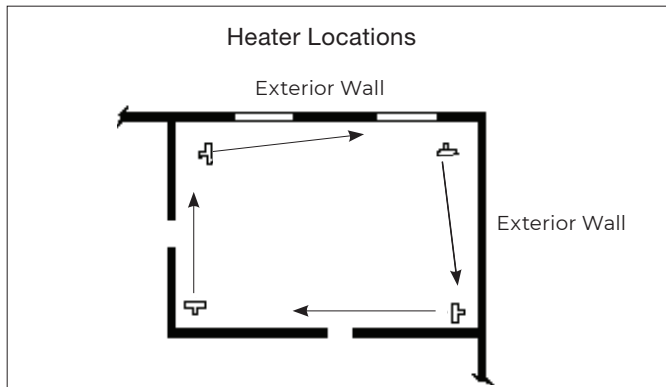


Figure 2

2. Mounting

- 2.1 The heater must be permanently mounted in a level, upright position for operation. See Figure 3, Figure 4, and Figure 5 on page 7 and 8 for maximum tilt angles, installation clearances, and physical dimensions. For ease of installation, a variety of mounting kits are available from the factory.
- 2.2 The mounting structure must be strong enough to:
 - Support the heater's weight (refer to Section F. Specifications, page 14).
 - Provide sufficient stiffness to prevent excessive vibration.
 - Withstand harsh situations such as transportable installations.

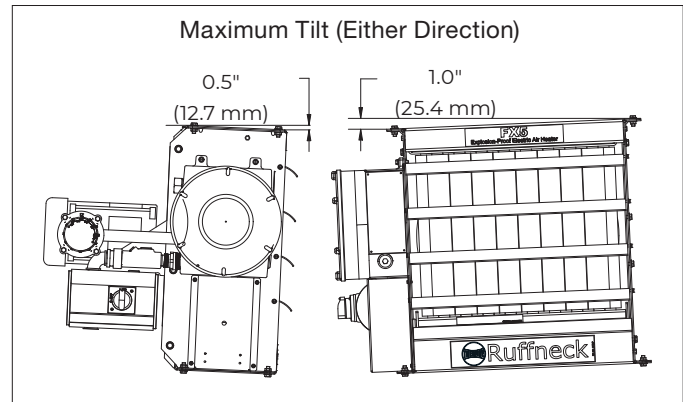


Figure 3

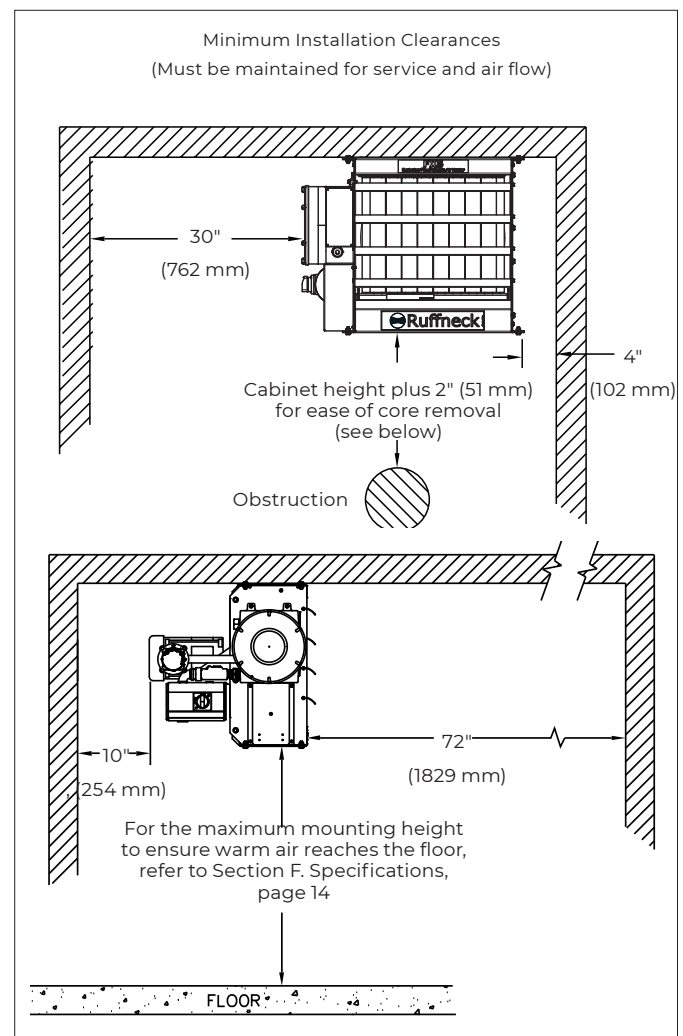
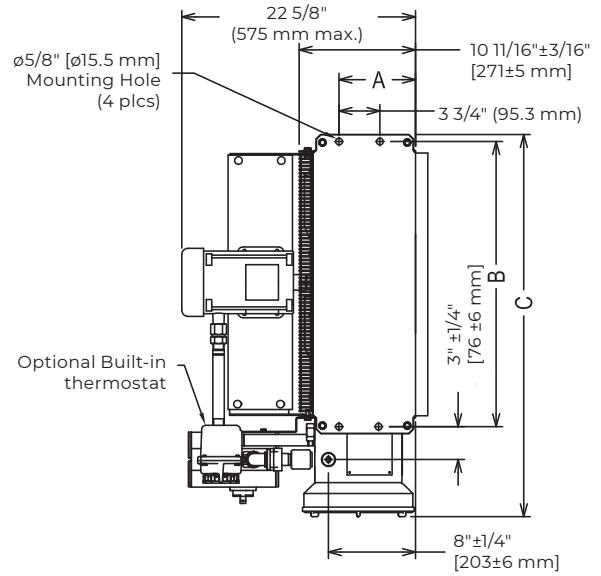


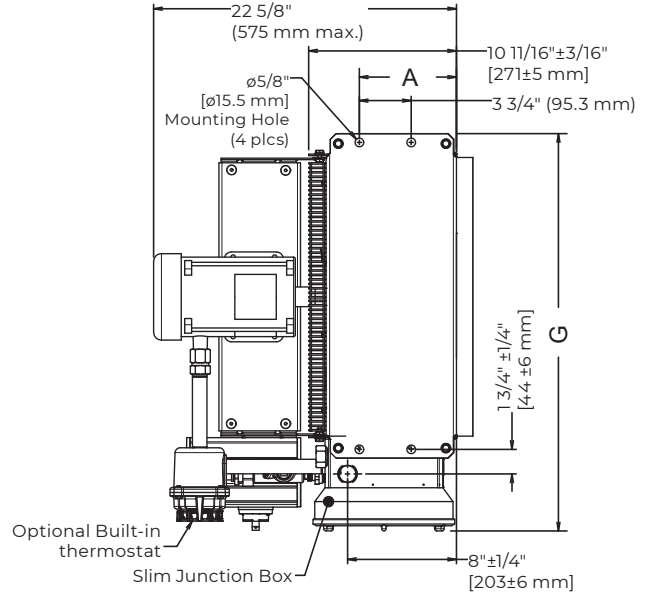
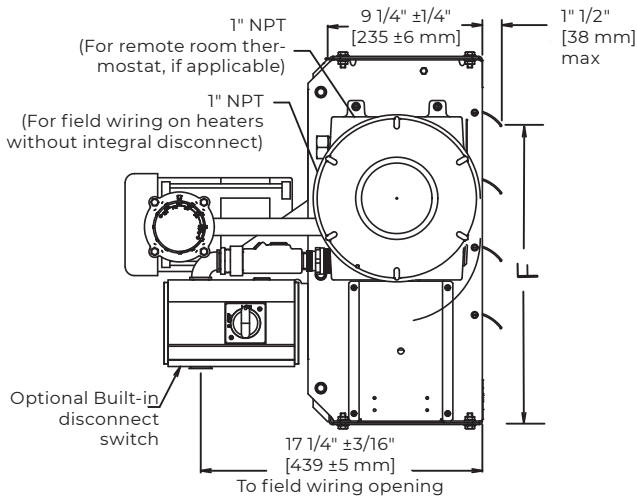
Figure 4

Dimensional Tolerances $\pm 1/8"$ [± 3 mm]
 Unless otherwise specified.

DIM.	kW	kW			DIM. TOL. \pm
		2.5-10	12.5-20	20.9-35	
A	in.	7	7	7	1/8
	mm	178	178	178	3
B	in.	18-3/16	22-5/16	26-1/4	1/8
	mm	462	566	667	3
C	in.	27	31	35	3/16
	mm	686	787	889	4
D	in.	19	23	27	1/8
	mm	484	586	688	3
E	in.	19-7/16	23-7/16	27-7/16	3/8
	mm	492	596	697	10
F	in.	17-1/2	19-1/2	21-13/16	5/16
	mm	444	495	554	8
G	in.	24-5/8	28-5/8	32-5/8	3/16
	mm	625	727	828	4



Large Control Housing



Slim Control Housing

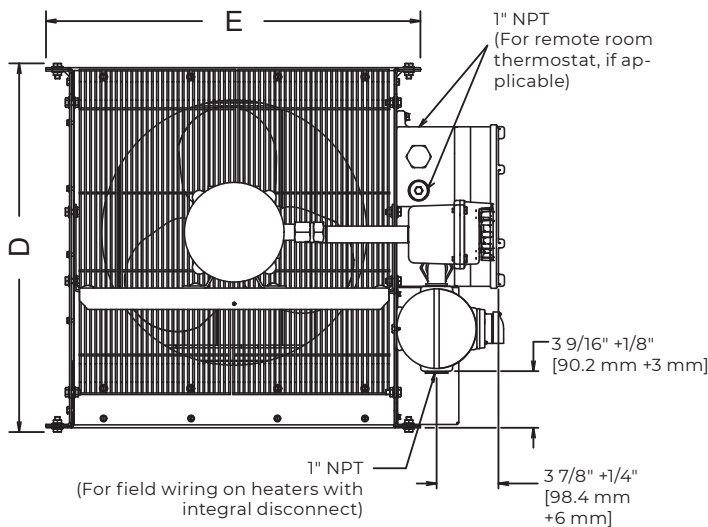


Figure 5



WARNING. Disconnect heater from power supply at integral disconnect or fuse box before opening enclosures or servicing heater. IF INTEGRAL DISCONNECT IS BEING SERVICED, verify that power has been disconnected at fuse box or main panel. Lock the switch in the "OFF" (open) position and/or tag the switch to prevent unexpected power application. Installation and wiring of the heater must adhere to all application codes.

1. General

- 1.1 Use only copper conductors and approved explosion-proof wiring methods during installation. Refer to Section E. FX6 Technical Data, page 12 to 13 and heater data plate for conductor rating.
- 1.2 External overcurrent protection is required. Refer to Section E. FX6 Technical Data, page 12 to 13 and heater data plate for voltage, frequency amperage, and phase. Supply voltage is to be within 10% of the data plate voltage.
- 1.3 The heater must be installed by qualified personnel in strict compliance with electrical codes.
- 1.4 All heaters come factory prewired and ready for direct connection to the power supply leads.
- 1.5 The heater must be individually fused, preferably with Class J time-delay fuses for maximum safety. Unless stated otherwise in your local code, fuse size shall be 125% of line current or next size larger.

2. Field Wiring

- 2.1 The supply conductors, ground conductor, and room thermostat conductors (see D.3 Wiring Schematics, page 11) all pass through the 1" NPT opening (see Figure 6, page 9) and are to be wired into the control enclosure (see Figure 7, page 9).

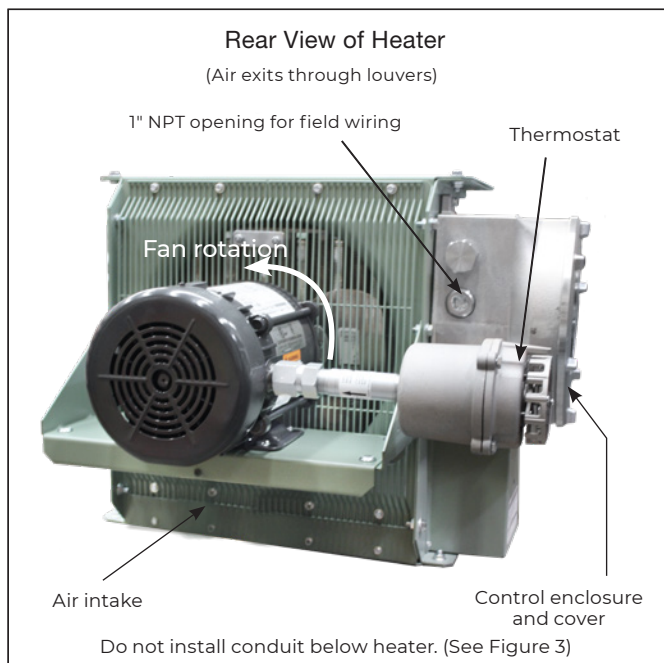


Figure 6

- 2.2 Heater may be supplied with a factory installed built-in room thermostat (see Figure 8, page 10). On heaters not supplied with this option, it is recommended that a remote room thermostat be used. Connect the remote room thermostat conductors to the printed circuit board terminal block marked "TSTAT". Any thermostat used with this heater must:
 - Be of an explosion-proof type
 - Be rated 125V minimum
 - Have a minimum 2 amp capacity
 - Open on temperature rise

- 2.3 Heater may be supplied with a factory installed built-in integral disconnect. (See Figure 8, page 10)

Field Wiring for Integral Disconnect:

- Power Supply conductors and Ground conductor pass through 1" NPT opening of Disconnect Enclosure (see Figure 8, page 10). Supply conductors to be wired to Disconnect Switch inside. Ground conductor to be wired to Ground Lug fastened to inside of Disconnect Enclosure.
- If applicable, Remote Room Thermostat conductors pass through 1" NPT opening (see Figure 8, page 10) and are to be wired to printed circuit board terminals marked "T'STAT".
- To reduce risk of ignition of hazardous atmospheres, conduit runs must have a sealing fitting connected within 18" (457 mm).

- 2.4 Factory installed conduits require no further sealing. Integral Disconnect is sealed at factory.

- The internal grounding terminal in the control enclosure (or in the integral disconnect enclosure when this option is provided) shall be used as the equipment grounding means. An external bonding terminal is provided for a supplementary bonding connection where local authorities permit or require such a connection.

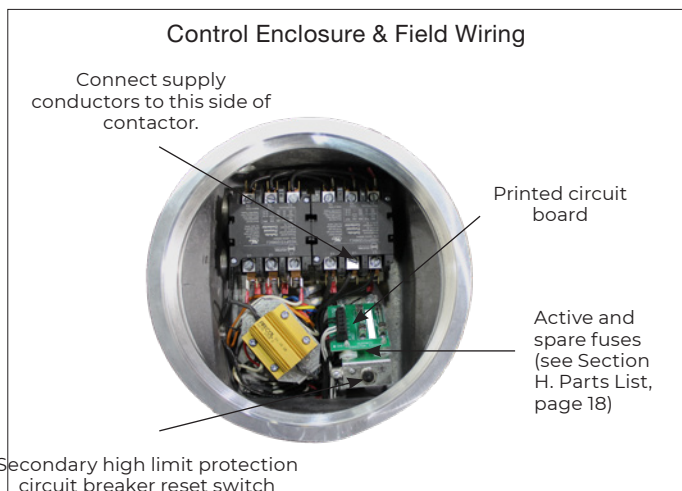


Figure 7

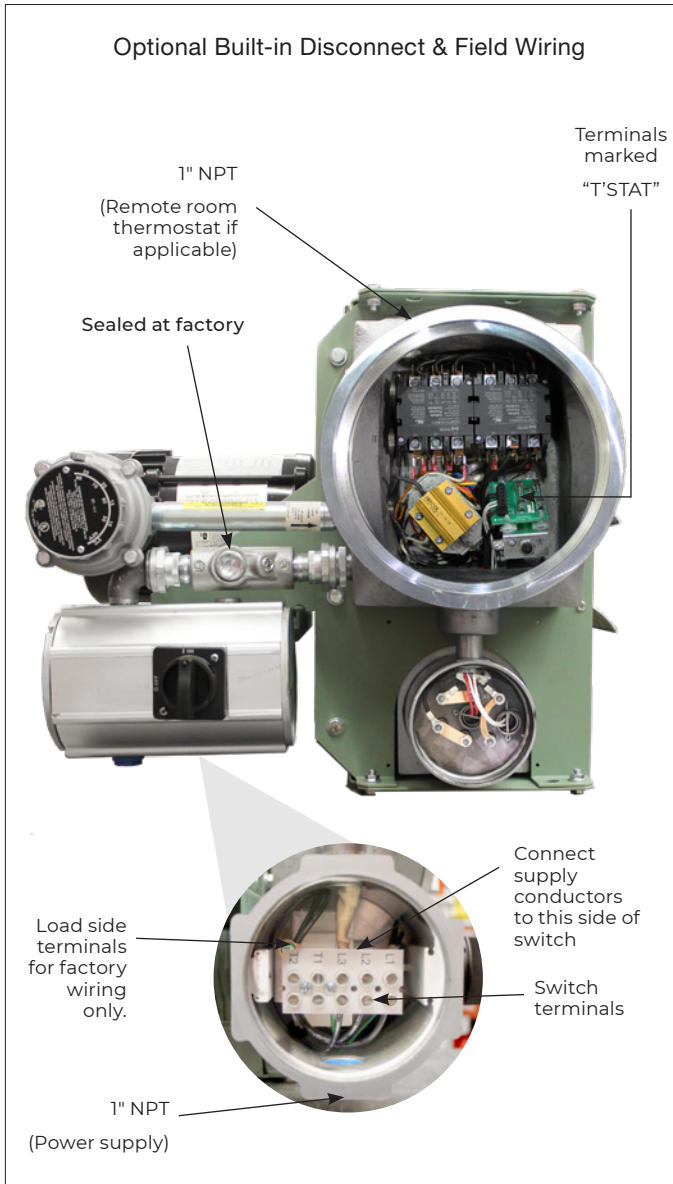


Figure 8

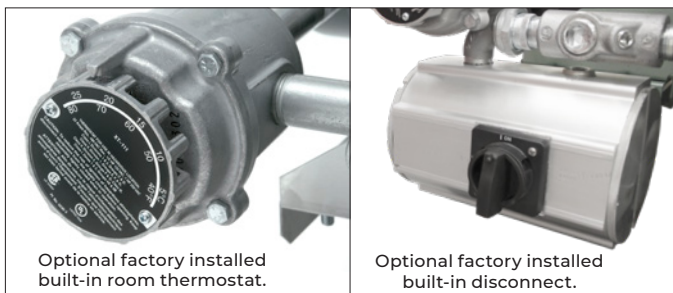


Figure 9

3. Final Inspection

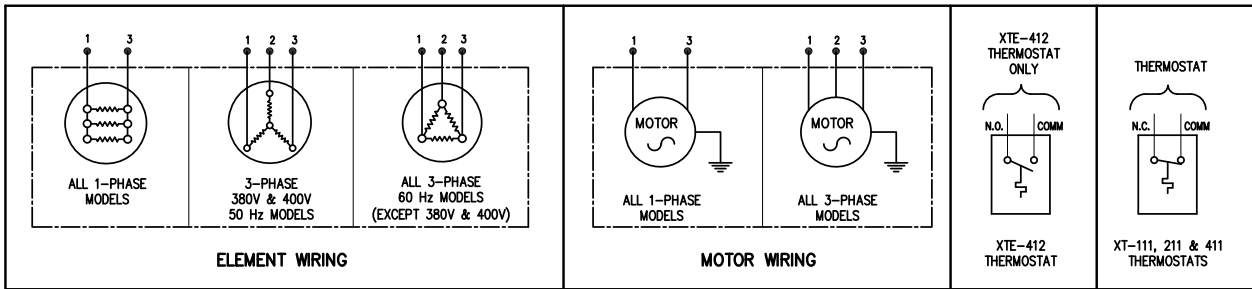
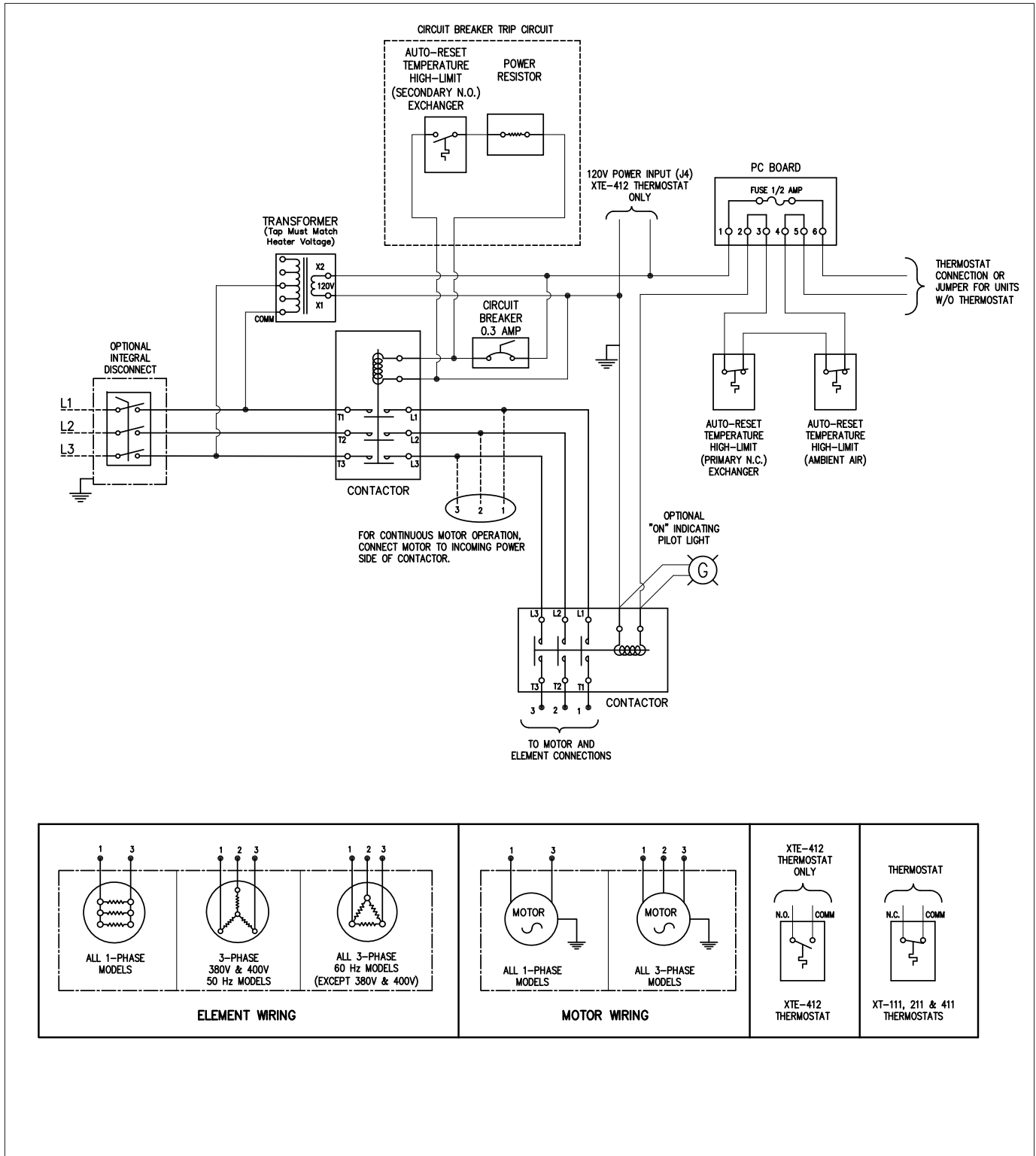
3.1 Before application of electrical power:

- Check that all connections are secured and comply with the applicable wiring diagram (see Wiring Schematics, page 11) and code requirements.
- Confirm that the power supply is compatible with the data plate rating of the heater.
- Remove any foreign objects from the heater.
- Install all covers and verify that all enclosures are well secured.
- Ensure that the fan rotates freely. See Figure 6, page 9 for proper direction of fan rotation.



WARNING. If heater has been stored at temperatures at or below freezing, the heat transfer fluid may become frozen. Under these circumstances it is necessary to cycle power to the heater, 30 seconds on, 30 seconds off for 3 minutes on initial startup.

FX6 WIRING SCHEMATIC



E. FX6 TECHNICAL DATA



E.1 50 Hz Electric Heaters

Model	Air Flow	Voltage	Nominal Wattage	Phase	Max. Motor Nameplate Current	Heater Wattage	Total Current	Minimum Circuit Ampacity	Supply Wire	Maximum Fuse Size	Temperature Rise		Core Kit Part Number	Contactor Part Number
	CFM	V	kW			W	A	A	AWG	A	°F	°C		
FX6-220150-025	400	220	2.5	1	4.7	2270	16.1	20.1	10	25	19.8	11.0	12122	13847
FX6-220150-042	400		4.2		4.7	3950	23.8	29.7	10	30	33.2	18.4	12123	
FX6-220150-063	700		6.3		4.7	6050	33.3	41.7	8	45	28.5	15.8	12124	
FX6-220150-084	700		8.4		4.7	8140	42.9	53.6	6	60	37.9	21.1	12125	
FX6-220150-126*	1450		12.6		4.7	12100	62.0	77.5	4	80	27.5	15.3	12126	
FX6-230150-028	400	230	2.8	1	4.1	2480	16.3	20.3	10	25	22.1	12.3	12127	
FX6-230150-046	400		4.6		4.1	4310	24.1	30.1	8	35	36.4	20.2	12128	
FX6-230150-069	700		6.9		4.1	6610	34.1	42.6	8	45	31.2	17.3	12129	
FX6-230150-138*	1450		13.8		4.1	13200	64.1	80.1	4	90	30.1	16.7	12130	
FX6-380350-025	400	380	2.5	1	1.1	2270	4.9	6.1	14	10	19.8	11.0	12136	
FX6-380350-042	400		4.2		1.1	3950	7.5	9.4	14	10	33.2	18.4	12137	
FX6-380350-063	700		6.3		1.1	6050	10.7	13.4	14	15	28.5	15.8	12138	
FX6-380350-084	700		8.4		1.1	8140	13.9	17.3	12	20	37.9	21.1	12139	
FX6-380350-125	1450		12.5		1.1	12100	20.1	25.1	10	30	27.3	15.1	12140	
FX6-380350-209	3000		20.9		1.1	20300	32.9	41.1	8	45	22.0	12.2	12142	
FX6-400350-028	400	400	2.8	3	1.1	2480	5.1	6.4	14	10	22.1	12.3	12143	
FX6-400350-046	400		4.6		1.1	4310	7.7	9.7	14	10	36.4	20.2	12144	
FX6-400350-069	700		6.9		1.1	6610	11.1	13.8	14	15	31.2	17.3	12145	
FX6-400350-093	700		9.3		1.1	8900	14.5	18.2	12	20	42.0	23.3	12146	
FX6-400350-139	1450		13.9		1.1	13200	21.2	26.5	10	30	30.3	16.8	12147	
FX6-400350-185	1450		18.5		1.1	17800	27.8	34.8	8	35	40.3	22.4	12148	
FX6-400350-231	3000		23.1		1.1	22200	34.5	43.1	8	45	24.3	13.5	12149	
FX6-415350-037	400	415	3.7	1	1.2	3510	6.4	7.9	14	10	29.3	16.3	12150	
FX6-415350-075	700		7.5		1.2	7240	11.6	14.6	14	15	33.9	18.8	12151	
FX6-415350-149	1450		14.9		1.2	14500	22.0	27.4	10	30	32.5	18.1	12152	
FX6-415350-224	3000		22.4		1.2	21800	32.4	40.5	8	45	23.6	13.1	12153	
FX6-440350-042	400	440	4.2	1	1.2	3950	6.7	8.4	14	10	33.2	18.4	12154	
FX6-440350-084	700		8.4		1.2	8140	12.2	15.3	12	20	37.9	21.1	12155	
FX6-440350-168	1450		16.8		1.2	16300	23.3	29.1	10	30	36.6	20.4	12156	
FX6-440350-210	3000		20.9		1.2	20300	28.7	35.8	8	40	22.1	12.2	12157	

Notes

- * Exceeds the 48 amp circuit limit of NEC 424-22. DS not available for these units.
 - **480V: 1-phase units are certified for Class I, Div. 1, Group D and Class II, Div. 1 Groups F & G. Heater rated for -20°C to +40°C. Special Order.
1. Minimum conductor size for 86°F (30°C) ambient. Derate conductor for ambient temperature. Use minimum 194°F (90°C) insulation.
 2. Heater is functioning normally if at rated voltage the amp draw is within 10% of the value in this table.
 3. Operation at lower voltages will result in reduced heat output and amp draw.
 4. Add "T" to model number when adding a built-in thermostat.
 5. Add "D" to model number when adding a built-in disconnect switch.

E.2 60 Hz Electric Heaters

Model	Voltage	Nominal Wattage	Phase	Max. Motor Nameplate Current	Heater Wattage	Total Current	Minimum Circuit Ampacity	Supply Wire	Maximum Fuse Size	Temperature Rise		Core Kit Part Number	Contactor Part Number	
	V	kW			W	A	A	AWG	A	°F	°C			
FX6-208160-030	208	3.0	1	4.1	2700	18.5	23.2	10	25	19.0	10.5	12116	13847	
FX6-208160-050		5.0		4.1	4700	28.1	35.2	8	40	31.6	17.6	12117		
FX6-208160-075		7.5		4.1	7200	40.2	50.2	6	60	27.9	15.5	12118		
FX6-208160-100*		10.0		4.1	9690	52.2	65.2	6	70	37.2	20.7	12119		
FX6-208360-030		3	3.0	2.3	2700	10.6	13.3	14	15	11.2	6.2	12116		
FX6-208360-050			5.0	2.3	4700	16.2	20.2	10	25	18.6	10.3	12117		
FX6-208360-075			7.5	2.3	7200	23.1	28.9	10	30	27.9	15.5	12118		
FX6-208360-100			10.0	2.3	9700	30.1	37.6	8	40	37.2	20.7	12119		
FX6-208360-150			15	2.3	14400	44.0	55.0	6	60	27.1	15.1	12120		
FX6-240160-030			240	3.0	1	4.1	2700	16.6	20.8	10	25	19.0		10.5
FX6-240160-050	5.0	4.1		4700		24.9	31.2	8	35	31.6	17.6	12123		
FX6-240160-075	7.5	4.1		7200		35.4	44.2	8	45	27.9	15.5	12124		
FX6-240160-100	10.0	4.1		9700		45.8	57.2	6	60	37.2	20.7	12125		
FX6-240160-150*	15.0	4.1		14400	66.6	83.3	4	90	27.1	15.1	12126			
FX6-240360-030	3	3.0		2.4	2700	9.6	12.0	14	15	19.0	10.5	12122		
FX6-240360-050		5.0		2.4	4700	14.4	18.1	12	20	31.6	17.6	12123		
FX6-240360-075		7.5		2.4	7200	20.5	25.6	10	30	27.9	15.5	12124		
FX6-240360-100		10.0		2.4	9700	26.5	33.1	8	35	37.2	20.7	12125		
FX6-240360-150		15.0		2.4	14400	38.5	48.2	8	50	27.1	15.1	12126		
FX6-480160-030 **		480	3.0	1	0.8	2700	7.1	8.8	14	10	19.0	10.5		12129
FX6-480160-050 **	5.0		0.8		4700	11.2	14.0	14	15	31.6	17.6	12130		
FX6-480160-075 **	7.5		0.8		7200	16.4	20.5	10	25	27.9	15.5	12131		
FX6-480160-100 **	10.0		0.8		9700	21.6	27.0	10	30	37.2	20.7	12132		
FX6-480160-150 **	15.0		0.8		14400	32.1	40.1	8	45	27.1	15.1	12133		
FX6-480160-200 **	20.0		0.8		19400	42.5	53.1	6	60	36.1	20.1	12134		
FX6-480360-030	3		3.0	1.2	2700	4.8	6.0	14	10	19.0	10.5	12129		
FX6-480360-050			5.0	1.2	4700	7.2	9.0	14	10	31.6	17.6	12130		
FX6-480360-075			7.5	1.2	7200	10.2	12.8	14	15	27.9	15.5	12131		
FX6-480360-100			10.0	1.2	9700	13.2	16.6	12	20	37.2	20.7	12132		
FX6-480360-150			15.0	1.2	14400	19.3	24.1	10	25	27.1	15.1	12133		
FX6-480360-200			20.0	1.2	19400	25.3	31.6	8	35	36.1	20.1	12134		
FX6-480360-250			25.0	1.2	24200	31.3	39.1	8	40	22.0	12.2	12135		
FX6-480360-300			30.0	1.2	29200	37.3	46.7	8	50	26.4	14.6	12136		
FX6-480360-350			35.0	1.2	34200	43.3	54.2	6	60	30.7	17.1	12137		
FX6-600360-030			600	3.0	3	0.7	2700	3.6	4.5	14	10	19.0	10.5	12138
FX6-600360-050				5.0		0.7	4700	5.5	6.9	14	10	31.6	17.6	12139
FX6-600360-075				7.5		0.7	7200	7.9	9.9	14	15	27.9	15.5	12140
FX6-600360-100	10.0	0.7		9700		10.3	12.9	14	15	18.1	20.7	12141		
FX6-600360-150	15.0	0.7		14400		15.2	18.9	12	20	27.1	15.1	12142		
FX6-600360-200	20.0	0.7		19400		20.0	25.0	10	30	36.1	20.1	12143		
FX6-600360-250	25.0	0.7		24200		24.8	31.0	8	35	45.2	25.1	12144		
FX6-600360-300	30.0	0.7		29200		29.6	37.0	8	40	26.4	14.6	12145		
FX6-600360-350	35.0	0.7		34200		34.4	43.0	8	45	30.7	17.1	12146		

6. Add "U" to model number for units with continuous fan option.
7. Add "A" to model number for units with stainless steel cabinet.
8. Add "L" to model number for large box option.
9. Add "P" to model number when adding a built-in pilot light.

F. SPECIFICATIONS



F.1 50 Hz Models

		Nominal kW							
		2.5	3.7 & 4.6	6.3 & 7.5	8.4	12.5 & 12.6	14.9 & 16.7	20.9	22.4
Maximum Altitude	ft	12,000	8,000	10,000	7,000	10,000	7,000	10,000	7,000
	m	3,658	2,438	3,048	2,134	3,048	2,134	3,048	2,134
Air Flow	@ 70°F (CFM)	400		700		1,450		3,000	
	@ 21°C (m ³ /hr)	679		1,189		2,463		5,096	
Horizontal Air Throw	ft	13		25		35		60	
	m	4.0		7.6		10.7		18.2	
Maximum Mounting Height (to underside)	ft	7		10		20			
	m	2.1		3.0		6.1			
Minimum Motor Power	HP	1/2							
	kW	0.373							
Fan Diameter	in	12			16		20		
	mm	305			406		508		
Net Weight	without DS	lbs	148		177		212		
		kg	67.1		80.2		96.2		
	with DS	lbs	160		189		224		
		kg	82.5		95.6		101.6		
Shipping Weight	without DS	lbs	202		227		263		
		kg	91.6		202.9		119.3		
	with DS	lbs	214		239		275		
		kg	97		108.3		124.7		

Specifications for all 50 Hz and 60 Hz Models

- | | |
|--|--|
| <p>1. Hazardous Location Rating Class I, Groups C and D; Class II, Groups E, F and G; Temperature Code T3B [329°F (165°C)]*</p> <p>2. Enclosures NEMA Type 7 & 9. For dry, indoor use only. Do not immerse in water. Do not store or use in areas exposed to rain or snow</p> <p>3. Motor Type Explosion-proof. Thermally protected. Permanently lubricated ball bearings.</p> <p>4. Fan Aluminum blade. Steel spider and hub with 5/8" (15.875 mm) bore</p> <p>5. Fan Guard Split design with close wire spacing. 1/4" (6.3 mm) diameter probe will not enter</p> <p>6. Mounting Holes Two 9/16". (14.3 mm) diameter holes at top</p> | <p>7. Heating Elements Three long-life, low watt-density, high grade metal-sheathed elements</p> <p>8. Temperature High-Limit Automatic reset type, snap-action bimetal, open on temperature rise. Rated 100,000 cycles at 10 amps, handles 0.128 amps</p> <p>9. Backup Temperature High-Limit Automatic reset type, snap-action bimetal, close on temperature rise. Rated 100,000 cycles at 10 amps, handles 0.128 amps.</p> <p>10. Control Circuit 120V, 0.128 amps, 15 VA. (Grounded)</p> <p>11. Slim Junction Box 10.25" (230 mm) x 8.00" (180 mm) x 6.75" (172 mm)</p> <p>12. Optional Built-in Thermostat 36°F to 82°F (2°C to 28°C)</p> |
|--|--|

Note:

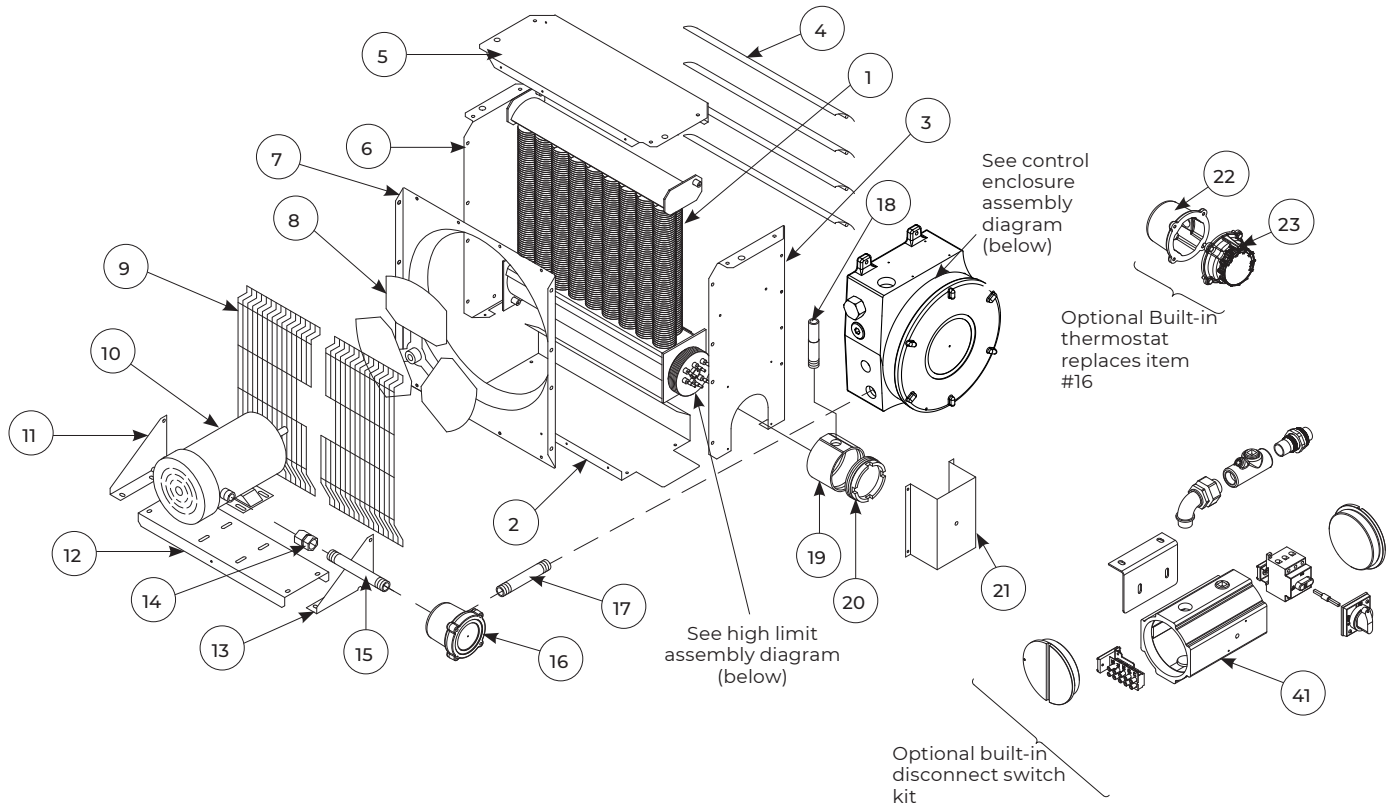
*Some units may be Class I, Div. I, Group D and Class II, Div. 1, Group F & G.

F.2 60 Hz Models

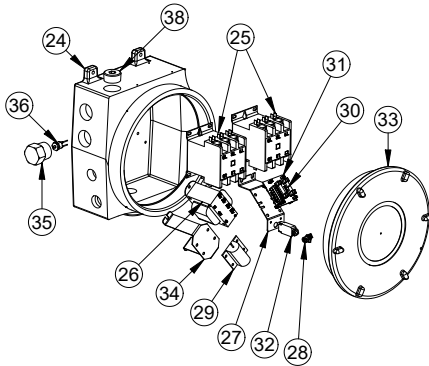
		Nominal kW								
		3	5	7.5	10	15	20	25	30	35
Maximum Altitude	ft	12,000	8,000	10,000	7,000	10,000	7,000	10,000	7,000	6,000
	m	3,658	2,438	3,048	2,134	3,048	2,134	3,048	2,134	1,829
Air Flow	@ 70°F (CFM)	500		850		1750		3600		
	@ 21°C (m ³ /hr)	850		1444		2973		6116		
Horizontal Air Throw	ft	15		30		40		70		
	m	4.6		9.1		12.2		21.3		
Maximum Mounting Height (to underside)	ft	7		10			20			
	m	2.1		3.0			6.1			
Minimum Motor Power	HP	1/2								
	kW	0.373								
Fan Diameter	in	12			16		20			
	mm	305			406		508			
Net Weight	without DS	lbs	148		177		212			
		kg	67.1		80.2		96.2			
	with DS	lbs	160		189		224			
		kg	82.5		95.6		101.6			
Shipping Weight	without DS	lbs	202		227		263			
		kg	91.6		103.9		119.3			
	with DS	lbs	214		239		275			
		kg	97		108.3		124.7			

- | | | | |
|---|---|--|--|
| <p>13. Optional Built-in Disconnect Switch</p> <p>14. Control Transformer</p> <p>15. Optional Pilot Light</p> <p>16. Contactor</p> <p>17. Heat Transfer Fluid</p> <p>18. Cabinet Material</p> <p>19. Core</p> | <p>DS for use only on heaters with total current not exceeding 48 amps. Lockout handle accepts 1/4" diameter padlock shackle</p> <p>Multi-tap primary, 120V secondary, 50 VA</p> <p>Indicates call for heat</p> <p>75 amps. Rated for 1,000,000 mechanical operations. 120V, 15 VA coil (separately fuse-protected)</p> <p>Long life formulated proprietary heat transfer fluid</p> <p>12 ga. (0.104") (2.60 mm) steel. Epoxy coated with five-stage pretreatment, including iron phosphate. Optional stainless steel.</p> <p>Steel with integral aluminum fins, vacuum charged and hermetically sealed</p> | <p>20. Conduit Material</p> <p>21. Overpressure Protection</p> <p>22. Backup Overpressure Protection</p> <p>23. Operational Temperature Limitations</p> <p>24. Storage Limitations</p> | <p>Heavy walled, 0.122" (3.1 mm) steel</p> <p>Pressure relief device, steel body, no field serviceable parts</p> <p>Single use device, non serviceable.</p> <p>-58°F to 104°F (-50°C to 40°C)</p> <p>-58°F to 176°F (-50°C to 80°C). Do not immerse in water. Do not expose to rain or snow.</p> |
|---|---|--|--|

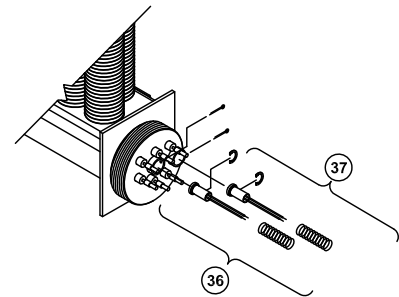
G. PARTS ASSEMBLY DIAGRAM



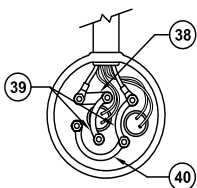
Large Control Enclosure



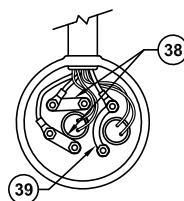
High Limit



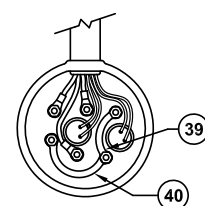
Bus-Bar Configuration for all 1-Phase Models



Bus-Bar Configuration for all 3-Phase (Except 380V & 400V 50 Hz Models)



Bus-Bar Configuration for all 3-Phase (380V & 400V 50 Hz Models)



H. PARTS LIST Forced Air Electric Heaters

Please have model and serial number available before calling

Item	Description	2.5 – 4.6 kW	6.3 – 10 kW	12.5 – 20 kW	20.9 – 35 kW	
1	Core	**				
2	Panel, Bottom	Painted: 12694-02 S.S.: 12694-03		Painted: 12699-02 S.S.: 12699-03	Painted: 12704-02 S.S.: 12704-03	
3	Panel, Left Side	Painted: 12691-02 S.S.: 12691-03		Painted: 12696-02 S.S.: 12696-03	Painted: 12701-02 S.S.: 12701-03	
4	Louver Kit, c/w screws	4075		4076	4077	
5	Panel, Top	Painted: 12693-02 S.S.: 12693-03		Painted: 12698-02 S.S.: 12698-03	Painted: 12703-02 S.S.: 12703-03	
6	Panel, Right	Painted: 12692-02 S.S.: 12692-03		Painted: 12697-02 S.S.: 12697-03	Painted: 12702-02 S.S.: 12702-03	
7	Panel, Fan Shroud	Painted: 3782 S.S.: 9212		Painted: 3783 S.S.: 9213	Painted: 3784 S.S.: 9214	
8	Fan Blade	4022	4023	4024	4025	
9	Fan Guard Kit	Painted: 4078 S.S.: 9504		Painted: 4079 S.S.: 9505	Painted: 4080 S.S.: 9506	
10	208/240V 1PH 60 Hz	12215 (US Motors)		10388 (Marathon)		
	220V 1PH 50 Hz					
	480V 1PH 60 Hz	9896 (Baldor)			N/A	
	208/240/480V 3PH 60 Hz	10562 (US Motors)		10387 (Marathon)		
	380/415V 3PH 50 Hz					
	600V 3PH 60 Hz	2433 (US Motors)		10672 (Marathon)		
11	Bracket, Motor Mount Right	Painted: 3789 S.S.: 9112		Painted: 3789 S.S.: 9112	Painted: 3789 S.S.: 9112	
12	Channel, Motor Mount	Painted: 3785 S.S.: 9206		Painted: 3786 S.S.: 9207	Painted: 3787 S.S.: 9208	
13	Bracket, Motor Mount Left	Painted: 3788 S.S.: 9111		Painted: 3788 S.S.: 9111	Painted: 3788 S.S.: 9111	
14	Coupling, Motor	3737 (US Motors) 4590 (Baldor & Marathon Motors)				
15	Conduit, Motor	9500		3813	10389	
16	Cover, Thermostat Enclosure	5371				
17	Conduit, Control Enclosure	3813				
18	Conduit, Element Enclosure	Contact Factory				
19	Enclosure, Element	9679				
20	Cover, Element Enclosure	3510				
21	Panel, Element Enclosure Guard	Painted: 12695-02 S.S.: 12695-03		Painted: 12700-02 S.S.: 12700-03	Painted: 12705-02 S.S.: 12705-03	
22	Enclosure, Thermostat	4983				
23	Thermostat, Built-in kit	-				
24	Enclosure, Control	-				
25	Contact	13847				
26	Transformer	12290 (60 Hz)		11295 (50 Hz)		
27	Bracket, Printed Circuit Board	3809				
28	Terminal, 6-14 Ga. Screw Lug	1876				
29	Secondary Thermal Protection Circuit Power Resistor	-				
30	Fuse, Buss MDQ - 1/2 Amp	9357				
31	Assembly, Printed Circuit Board	3514				
32	Secondary Thermal Protection Reset	Contact Factory				
33	Cover, Control Enclosure	11960				
34	Bracket, Above Transformer	-				
35	Thermowell, Ambient High-Limit	9267				
36	High Limit, Ambient Temperature	-				
37	Plug, 1" NPT Explosion Proof	12169				
38	Temperature High-Limit Kit (N.O.)	-				
39	Temperature High-Limit Kit (N.C.)	-				
40	Bus-Bar, Straight	Provided with Core Kits**				
41	Bus-Bar, Small Curved					
42	Bus-Bar, Large Curved					
43	Kit, DS Assembly	-				
44	Pilot Light Assembly	XMOLG-120				

** See technical data table for part numbers. **Note:** For Items not shown, contact factory.

I. REPAIR & REPLACEMENT



WARNING

Disconnect heater from power supply at integral disconnect or fuse box before opening enclosures or servicing heater.

IF INTEGRAL DISCONNECT IS BEING SERVICED, verify that power has been disconnected at fuse box or main panel.

Lock the switch in the “OFF” (open) position and/or tag the switch to prevent unexpected power application.

This heater should only be serviced by personnel with heating and hazardous location equipment experience.

1. After repairing any component:
 - 1.1 Check that electrical connections are correct and secure (see Figure 9, page 10).
 - 1.2 Remove any foreign material from enclosures
 - 1.3 Install and secure all covers
 - 1.4 Ensure that all fasteners are tight
 - 1.5 Remove all foreign objects from heater
 - 1.6 Ensure air exits through louvers and fan rotates counterclockwise when viewed from rear of heater (see Figure 14, page 19).

The heater core is vacuum charged and not field repairable.

2. Core

For core removal:

- 2.1 Remove cabinet bottom and element enclosure cover.
- 2.2 Disconnect all wires entering element enclosure (see Figure 10, page 18).
- 2.3 Slightly loosen all cabinet bolts shown in Figure 10, page 18, to prevent the core from binding.
- 2.4 With an assistant supporting the weight of the core, remove the 3 core mounting bolts. Carefully lower the core out of the cabinet (see Figure 11, page 18).
- 2.5 To return core to factory, use crate supplied with exchange core to protect the element terminals and plate threads.
- 2.6 To reinstall, lift the core up into cabinet while an assistant guides the element wires into the element enclosure conduit.
- 2.7 Position the core and tighten the 3 core mounting bolts. Tighten the remaining cabinet bolts.

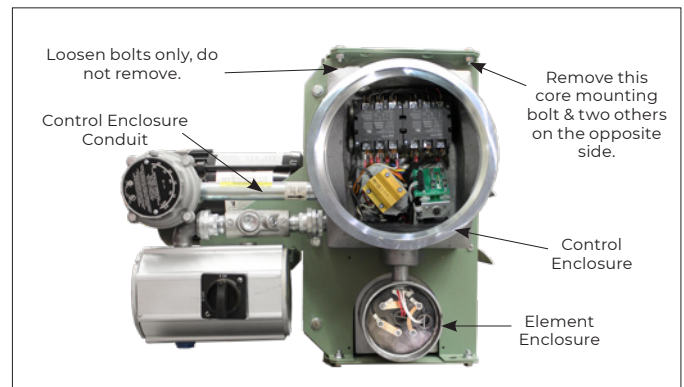


Figure 10



Figure 11

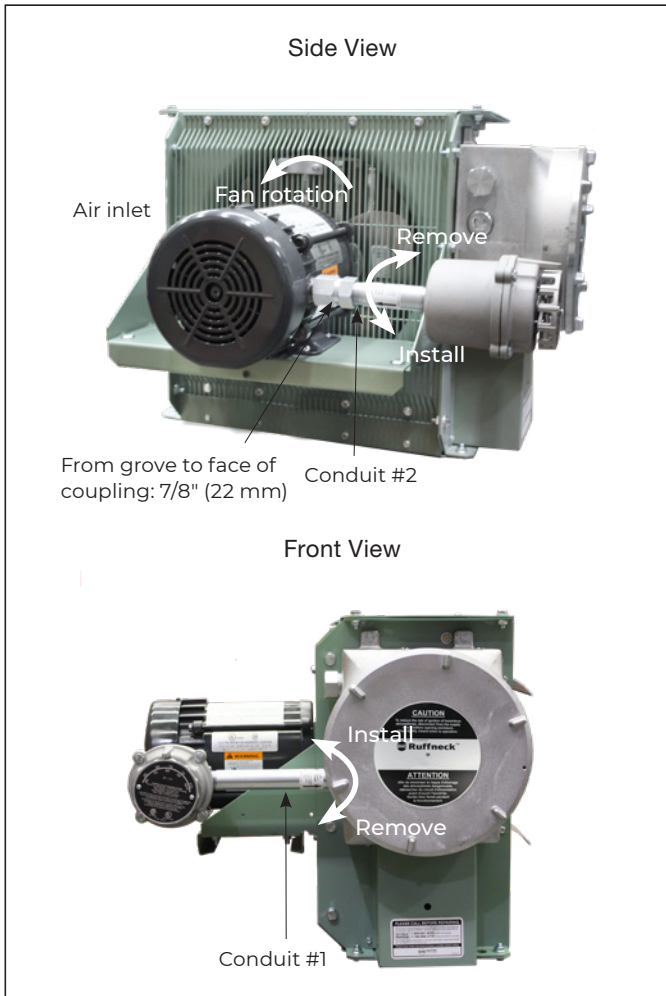


Figure 12



Figure 13



Figure 14

3. Motor, Fan, & Fan Guard
 - 3.1 Remove bolts holding the motor to the motor mount. On units with a built-in thermostat, remove the bolts on the back of the thermostat enclosure.
 - 3.2 Remove conduit #1 located between motor junction box and control enclosure by turning it in the direction illustrated (see Figure 12, page 19). Note that conduits #1 and #2 are not interchangeable and have left hand threads on one end, this end is indicated by a machined groove.
 - 3.3 Remove the two-piece fan guard assembly (see Figure 13, page 19).
 - 3.4 Lift the motor assembly off the motor mount.
 - 3.5 Before removing the fan, measure and record the location of the fan hub on the motor shaft (see Figure 14, page 19). If difficult to remove, use a gear puller on the fan hub.
 - 3.6 To reassemble, place motor assembly onto motor mount and fasten the fan guard to cabinet.
 - 3.7 Simultaneously engage and tighten both ends of conduit #1 into enclosures. Leave a 1/16" to 3/16" (1.6 to 4.8 mm) gap between the motor and fan guard (see Figure 15, page 20). Adjust conduit #2 to center the fan in the shroud.
 - 3.8 To ensure a minimum 5 thread engagement, threaded ends of conduits must protrude a minimum of 1/16" (1.6 mm) into enclosures. The groove on conduit #2 must not be more than 7/8" (22 mm) from motor coupling (see Figure 14, page 19).
 - 3.9 Bolt motor to motor mount. Manually spin the fan blade to ensure fan rotates freely.
 - 3.10 Air must exit through louvers and fan must rotate counterclockwise when viewed from rear of heater (see Figure 12, page 19).
4. Heating Elements
 - 4.1 Heating elements are an integral part of the vacuum charged core. A factory exchange core can be shipped immediately from stock. Refer to 2. Core, page 18 for details.
5. Contactor
 - 5.1 Loosen, but do not remove contactor mounting screws. Slide contactor off mounting screws.
 - 5.2 Replace with a factory supplied contactor of the same rating.
6. Transformer
 - 6.1 Replace with a factory supplied transformer of the same rating.
 - 6.2 On the new transformer, select primary wires to match heater voltage.
 - 6.3 Ensure that the correct transformer secondary lead is grounded (see Figure 9, page 10). Individually terminate all unused wires using closed end connectors.

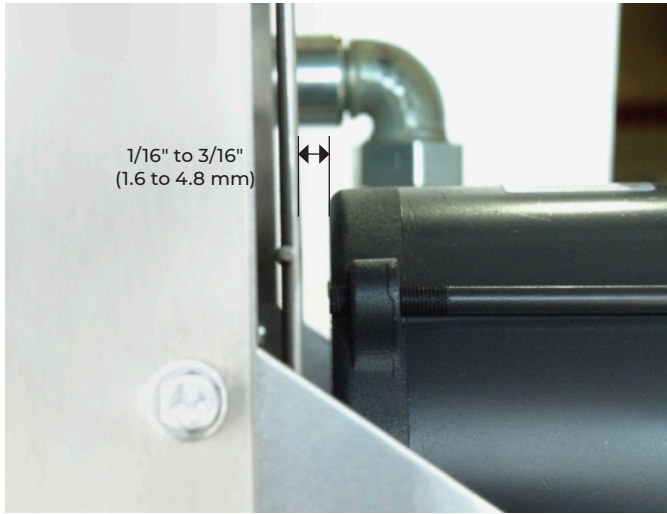


Figure 15

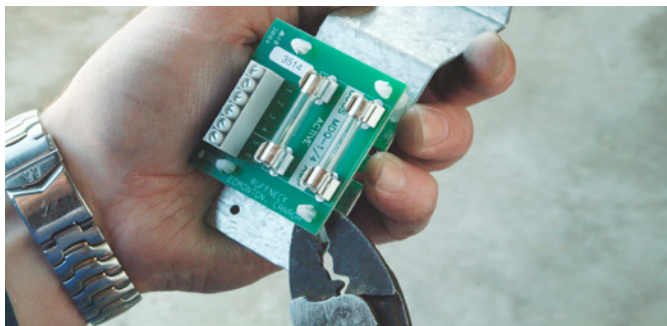
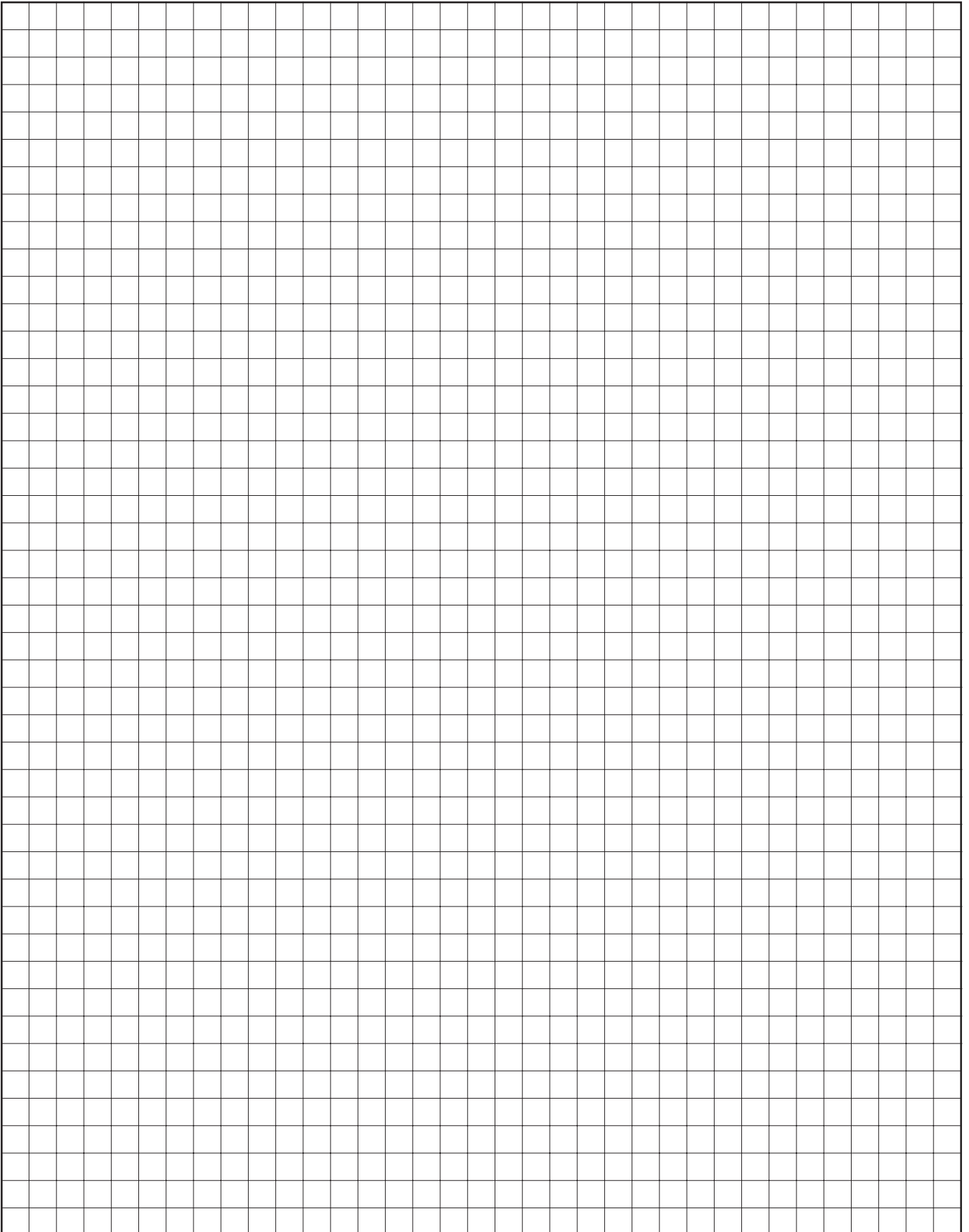


Figure 16

7. Printed Circuit Board
 - 7.1 After removing the printed circuit board (P.C. Board) bracket assembly from the control enclosure, separate the P.C. Board from the bracket by cutting off the plastic spacers (see Figure 9, page 10).
 - 7.2 Reinstall a new factory supplied P.C. Board onto the mounting bracket, using new non-conducting spacers of the same length. Spacers are supplied with a new P.C. Board. Reinstall the control circuit ground wire to the printed circuit board bracket (see Figure 16, page 20).
8. Fuse
 - 8.1 Replace fuse with one of the same type and rating as indicated on P.C. Board or refer to parts list. An extra fuse should be stored in the clips marked "SPARE".
9. Cabinet panels
 - 9.1 Bolt-on cabinet panels are individually replaceable.

NOTES





Ruffneck™

PLEASE ADHERE TO INSTRUCTIONS IN THIS MANUAL

Failure to do so may be dangerous and may void certain provisions of your warranty.

For further assistance, please call 24hr hotline: 1-800-661-8529 (U.S.A. and Canada)

Please have model and serial numbers available before calling.

WARRANTY: Under normal use the Company warrants to the purchaser that defects in material or workmanship will be repaired or replaced without charge for a period of 18 months from date of shipment, or 12 months from the start date of operation, whichever expires first. Any claim for warranty must be reported to the sales office where the product was purchased for authorized repair or replacement within the terms of this warranty.

Subject to State or Provincial law to the contrary, the Company will not be responsible for any expense for installation, removal from service, transportation, or damages of any type whatsoever, including damages arising from lack of use, business interruptions, or incidental or consequential damages.

The Company cannot anticipate or control the conditions of product usage and therefore accepts no responsibility for the safe application and suitability of its products when used alone or in combination with other products. Tests for the safe application and suitability of the products are the sole responsibility of the user.

This warranty will be void if, in the judgment of the Company, the damage, failure or defect is the result of:

- Vibration, radiation, erosion, corrosion, process contamination, abnormal process conditions, temperature and pressures, unusual surges or pulsation, fouling, ordinary wear and tear, lack of maintenance, incorrectly applied utilities such as voltage, air, gas, water, and others or any combination of the aforementioned causes not specifically allowed for in the design conditions or,
- Any act or omission by the Purchaser, its agents, servants or independent contractors which for greater certainty, but not so as to limit the generality of the foregoing, includes physical, chemical or mechanical abuse, accident, improper installation of the product, improper storage and handling of the product, improper application or the misalignment of parts.

No warranty applies to paint finishes except for manufacturing defects apparent within 30 days from the date of installation.

The Company neither assumes nor authorizes any person to assume for it any other obligation or liability in connection with the product(s).

The Purchaser agrees that all warranty work required after the initial commissioning of the product will be provided only if the Company has been paid by the Purchaser in full accordance with the terms and conditions of the contract.

The Purchaser agrees that the Company makes no warranty or guarantee, express, implied or statutory, (including any warranty of merchantability or warranty of fitness for a particular purpose) written or oral, of the Article or incidental labour, except as is expressed or contained in the agreement herein.

LIABILITY: Technical data contained in the catalog or on the website is subject to change without notice. The Company reserves the right to make dimensional and other design changes as required. The Purchaser acknowledges the Company shall not be obligated to modify those articles manufactured before the formulation of the changes in design or improvements of the products by the Company.

The Company shall not be liable to compensate or indemnify the Purchaser, end user or any other party against any actions, claims, liabilities, injury, loss, loss of use, loss of business, damages, indirect or consequential damages, demands, penalties, fines, expenses (including legal expenses), costs, obligations and causes of action of any kind arising wholly or partly from negligence or omission of the user or the misuse, incorrect application, unsafe application, incorrect storage and handling, incorrect installation, lack of maintenance, improper maintenance or improper operation of products furnished by the Company.

Visit www.thermon.com to contact a Thermon representative near you.

HEAD OFFICE: 7171 SOUTHWEST PKWY | BUILDING 300 SUITE 200 | AUSTIN, TX | 78735 | UNITED STATES
RUFFNECK: 5918 ROPER ROAD | EDMONTON, AB | T6B-3E1 | CANADA

AVERTISSEMENT! Lisez tous les avis d'information importants des pages 2 à 4



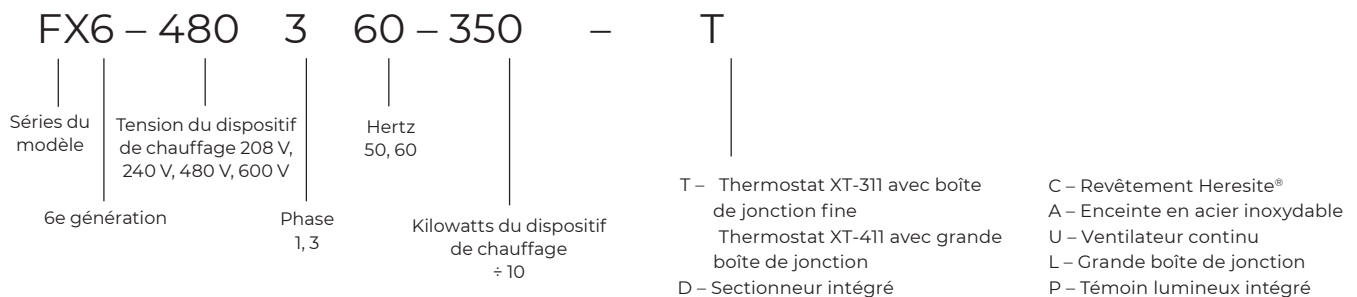
Appareils de chauffage électriques à air pulsé pour zones dangereuses

Série FX6

Instructions d'installation, d'utilisation et d'entretien



Codification du modèle



Emplacements approuvés

Les appareils de chauffage électriques à air pulsé sont certifiés cULUS pour les zones suivantes : Catégorie I, Division 1 & 2, Groupes C & D; Catégorie II, Division 1, Groupes E, F & G; Catégorie II, Division 2, Groupes F & G; Catégorie I, Zones 1 & 2, Groupes IIA & IIB; Zones 20, 21 & 22; Température Code T3B 329°F (165°C) (modèles 50 Hz et 60 Hz)

Pour plus de détails sur les zones dangereuses présentant un risque d'explosion, consultez le Code canadien de l'électricité, partie 1, section 18 ou les articles 500 à 516 du Code national de l'électricité.



AVERTISSEMENT

AVERTISSEMENT. Un réglage, une modification, des vibrations excessives, un service ou un entretien incorrect de l'installation peuvent causer des dommages matériels, des blessures ou la mort. Veuillez lire attentivement les instructions d'installation, d'utilisation et d'entretien avant d'installer, d'utiliser ou d'entretenir cet équipement.

Remarques spéciales

Les remarques spéciales suivantes mettent en évidence des informations importantes dans les sections d'installation, d'utilisation et d'entretien.



ATTENTION

Ce symbole indique une situation potentiellement dangereuse qui, si elle n'est pas évitée, peut causer des blessures corporelles ou endommager l'équipement.



ATTENTION

Ce symbole indique une situation potentiellement dangereuse qui, si elle n'est pas évitée, pourrait présenter un risque d'électrocution.



AVERTISSEMENT

Ce symbole indique une situation très dangereuse qui, si elle n'est pas évitée, pourrait causer des blessures graves ou la mort.

TABLE DES MATIÈRES

A. Liste de contrôle pour l'entretien de l'appareil de chauffage	3
A.1 Grille d'entretien préventif.....	3
A.2 Périodique.....	4
A.3 Annuel.....	4
B. Avis importants	5
C. Conseils de dépannage	6
D. Installation	7
D.1 Mécanique.....	7
D.2 Électrique.....	9
D.3 Schémas de câblage.....	11
E. Données techniques du FX6	12
E.1 Modules de chauffage électriques 50 Hz.....	12
E.2 Modules de chauffage électriques 60 Hz.....	13
F. Spécifications	14
F.1 Modèles 50 Hz.....	14
F.2 Modèles 60 Hz.....	15
G. Schéma de montage des pièces	16
H. Liste des pièces	17
I. Réparation et remplacement	18

A. LISTE DE CONTRÔLE POUR L'ENTRETIEN DE L'APPAREIL DE CHAUFFAGE

Modèle d'appareil de chauffage _____ Date de l'entretien _____

Numéro de série _____ Entretien effectué par _____

Commentaires _____



AVERTISSEMENT

Débrancher l'appareil de chauffage de la source de courant du sectionneur général ou de la boîte à fusibles avant d'ouvrir les boîtiers ou de procéder à son entretien.

SI UN ENTRETIEN EST EFFECTUÉ AU NIVEAU DU SECTIONNEUR GÉNÉRAL, s'assurer que le courant a été coupé à la boîte à fusibles ou au panneau principal.

Bloquer le commutateur à la position « **OFF** » (ouvert), et/ou étiqueter le commutateur pour éviter une mise sous tension imprévue.

Ce dispositif de chauffage doit être entretenu uniquement par un technicien ayant une expérience avec les équipements de chauffage en zones dangereuses.

A.1 Grille d'entretien préventif

Les cellules de la grille avec des cases à cocher à l'intérieur correspondent aux mesures d'entretien minimales à réaliser aux périodes indiquées.

À faire	Description	Entretien régulier				Entretien intensif			
		Démarrage annuel	Mensuel	Tous les 3 mois	Tous les 6 mois	Démarrage annuel	Mensuel	Tous les 3 mois	Tous les 6 mois
Nettoyer	Enlever la poussière à l'aide d'air comprimé. Ne pas pulvériser d'eau ni de solvants. Ne pas plonger dans de l'eau ou des solvants. Nettoyer les éléments suivants : 1. Moteur 2. Grilles d'aération 3. Tubes à ailettes 4. Ventilateur 5. Protecteur du ventilateur	<input type="checkbox"/>		<input type="checkbox"/>		<input type="checkbox"/>		<input type="checkbox"/>	
Contrôler	1. Le fonctionnement sans faille et silencieux du moteur 2. La bonne orientation et l'étanchéité des grilles d'aération 3. L'étanchéité de tous les capots antidéflagrants 4. La présence de fuites dans le limiteur de pression. Consulter Figure 1, page 5 et se référer à A.3 Annuel, page 4 pour des instructions supplémentaires.	<input type="checkbox"/>				<input type="checkbox"/>		<input type="checkbox"/>	
Inspection électrique	1. Inspecter toutes les connexions des bornes et les conducteurs.* Resserrer les raccordements lâches. Remplacer les conducteurs dont l'isolation est endommagée et le câblage effiloché.*	<input type="checkbox"/>			<input type="checkbox"/>	<input type="checkbox"/>		<input type="checkbox"/>	
	2. Inspecter les contacts du contacteur : S'il est très endommagé, brûlé ou obturé par soudage, le remplacer par un contacteur acheté auprès du constructeur.*	<input type="checkbox"/>			<input type="checkbox"/>	<input type="checkbox"/>		<input type="checkbox"/>	
	3. Vérifier les fusibles : Le bon calibre et le type de fusible sont indiqués sur la carte de circuit imprimé. Toujours s'assurer qu'un fusible de secours est disponible sur la carte de circuit imprimé.*	<input type="checkbox"/>			<input type="checkbox"/>	<input type="checkbox"/>		<input type="checkbox"/>	
Inspection mécanique	1. Fuite de liquide : Inspecter l'indicateur de l'étiquette du limiteur de pression (PRD) pour détecter des signes de rupture et de dégradation. Si une fuite de liquide est constatée sur l'appareil de chauffage, le débrancher de l'alimentation électrique et remplacer le noyau immédiatement.*		<input type="checkbox"/>			<input type="checkbox"/>	<input type="checkbox"/>		
	2. Boîtiers : L'intérieur de chaque boîtier doit être propre, sec et sans corps étrangers.*	<input type="checkbox"/>				<input type="checkbox"/>		<input type="checkbox"/>	
	3. Roulement et jeu de l'arbre moteur : Si le fonctionnement du moteur n'est pas silencieux et régulier et qu'il présente un jeu excessif, remplacer le moteur.*	<input type="checkbox"/>				<input type="checkbox"/>		<input type="checkbox"/>	

*Pour les plates-formes de forage, cela doit être fait à chaque déplacement de la plate-forme.

A.2 Périodique (avant et selon les besoins pendant la période de chauffage)

- **Nettoyer**
 - Moteur
 - Grilles d'aération
 - Tubes à ailettes
 - Ventilateur
 - Protecteur du ventilateur
- **Contrôler**
 - Le fonctionnement sans faille et silencieux du moteur
 - La bonne orientation et l'étanchéité des grilles d'aération
 - L'étanchéité de tous les capots antidéflagrants
 - La présence de fuites dans le limiteur de pression. Consulter Figure 1, page 5 et se référer à A.3 Annuel, page 4 pour des instructions supplémentaires.

A.3 Annuel (avant la période de chauffage)

- **Contrôle mécanique**
 - Fuite de liquide. Le noyau de l'appareil de chauffage est chargé sous vide et contient un fluide caloporteur breveté. Inspecter l'indicateur de l'étiquette du limiteur de pression (PRD) pour détecter des signes de rupture et de dégradation. Si le papier est déchiré, désintégré ou altéré, cela indique que du liquide s'est échappé du noyau. Si une fuite de liquide se produit au niveau de l'appareil de chauffage, le déconnecter de l'alimentation électrique et faire remplacer le noyau. Un noyau de rechange fourni par le constructeur peut être expédié directement du stock. Se référer à la Section Repair & Replacement, page 18 pour plus de détails.
 - Tous les boîtiers. L'intérieur des boîtiers doit être propre, sec et sans corps étrangers.
 - * Les couvercles filetés doivent être installés et serrés à la main.

Remarque : Les jointures des boîtiers sont conçus pour un contact métal à métal. Ne pas utiliser de joint ou de produit d'étanchéité dans les joints. Une graisse est appliquée sur les joints en usine et doit être laissée intacte.
 - Jeu de roulement de l'arbre moteur. Remplacer le moteur si le jeu est excessif ou si le moteur ne fonctionne pas de manière silencieuse et régulière. Les roulements du moteur sont lubrifiés en permanence.
 - Ventilateur. Le remplacer immédiatement s'il est fissuré ou endommagé.
 - Grilles d'aération. Les vis doivent être serrées. Les grilles d'aération ne doivent pas être complètement fermées ni dépasser les butées.
 - Solidité de tout le matériel. Tous les écrous et boulons, y compris le matériel de montage, doivent être serrés.
- Allumer l'appareil de chauffage pendant au moins cinq minutes. Vérifier si de l'air chaud sort de l'appareil de chauffage par les grilles d'aération. Il est normal que l'appareil émette des craquements ou des bruits de tintement pendant le démarrage.
- **Contrôle électrique**
 - Toutes les connexions des bornes et les conducteurs. Resserrer les raccordements lâches. Remplacer les conducteurs dont l'isolation est endommagée.
 - Inspecter les contacts du contacteur. S'il est très endommagé, brûlé ou obturé par soudage, le remplacer par un contacteur acheté auprès du constructeur. Pour les conditions d'utilisation rigoureuses, notamment dans les régions arctiques ou sur les plates-formes de forage, Thermon recommande de remplacer le contacteur tous les deux ans.
 - Fusibles. Le calibre et le type de fusible sont indiqués sur la carte du circuit imprimé. Le bon fusible doit se trouver dans le porte-fusible actif. Il est recommandé de conserver un fusible de rechange dans le porte-fusible de rechange.
 - Tous les conduits antidéflagrants. Remplacer les conduits endommagés. Tous les raccords de conduit filetés doivent avoir un engagement minimum de 5 tours. Les conduits à filetage droit doivent dépasser d'au moins 1/16 po (1,6 mm) à l'intérieur des boîtiers. Les raccords à filetage conique doivent être serrés à la main.
 - Résistance électrique sur tous les pieds côté charge. La lecture doit être équilibrée ($\pm 5\%$).



Pour obtenir de l'aide, veuillez appeler
Numéro sans frais : 1 800 661-8529 (24 h)
États-Unis et Canada

B. AVIS IMPORTANTS



AVERTISSEMENT. Lire et respecter les consignes suivantes. Le non-respect de ces consignes pourrait causer des blessures graves ou mortelles. LA GARANTIE SERA NULLE.



AVERTISSEMENT. Une protection appropriée contre les défauts de mise à la terre, tel qu'un disjoncteur de fuite à la terre (DDFT), doit être utilisé avec cet équipement. Le fait de ne pas assurer la protection contre la mise à la terre ou la liaison électrique pendant l'utilisation de cet équipement peut entraîner des dommages matériels, des blessures corporelles ou la mort. En outre, cet équipement doit être correctement mis à la terre, conformément à tous les codes et normes électriques applicables.

1. Lire et respecter toutes les instructions de ce manuel.
2. L'appareil de chauffage doit être utilisé uniquement dans des environnements dont la température d'allumage est supérieure à la température de fonctionnement nominale maximale de l'appareil, comme indiqué sur la plaque signalétique de l'appareil. Se référer aux codes électriques applicables pour des informations supplémentaires.
3. L'appareil de chauffage doit être utilisé uniquement dans les zones dangereuses indiquées sur la plaque signalétique de l'appareil.
4. L'appareil de chauffage doit être utilisé à l'intérieur, au sec, uniquement. Ne pas le plonger dans de l'eau. Ne pas l'entreposer ou l'utiliser dans des endroits exposés à la pluie ou à la neige.
5. L'appareil de chauffage doit être raccordé et entretenu uniquement par un électricien qualifié et doté d'une bonne expérience en matière d'équipement pour zones dangereuses.
6. L'installation et le câblage de l'appareil de chauffage doivent respecter tous les codes applicables.
7. Débrancher l'appareil de chauffage de la source de courant au sectionneur général ou à la boîte à fusibles avant d'ouvrir les boîtiers ou de procéder à son entretien. SI UN ENTRETIEN EST EFFECTUÉ AU NIVEAU DU SECTIONNEUR GÉNÉRAL, s'assurer que le courant a été coupé à la boîte à fusibles ou au panneau principal. Bloquer le commutateur à la position « **OFF** » (ouvert), et/ou étiqueter le commutateur pour éviter une mise sous tension imprévue.
8. Cet appareil de chauffage est équipé d'une limite haute de surchauffe bimétallique. Il est de type à réinitialisation automatique et, par conséquent, l'appareil peut redémarrer sans avertissement. L'appareil est équipé d'une limite haute secondaire qui déclenchera un disjoncteur interne en cas de surchauffe. Si la limite haute secondaire s'active, l'appareil doit être inspecté par un personnel autorisé. L'appareil ne doit pas être utilisé si l'un des dispositifs de protection contre les surchauffes est désactivé ou contourné.
9. La pression de purge du limiteur de pression (PRD) est réglée en usine. Ne pas toucher à l'écrou de blocage. (Voir Figure 1, page 5.)
10. Ne pas toucher ou enlever l'étiquette d'avertissement sur le PRV.
11. L'appareil de chauffage est équipé d'un dispositif de secours de décharge de surpression. Il s'agit d'un dispositif à usage unique. S'il est activé, ne pas contourner ce dispositif pour faire fonctionner l'appareil. L'activation de ce dispositif nécessite la mise hors service immédiate de l'appareil pour contrôle.
12. Ne faire fonctionner l'appareil que lorsqu'il est monté de manière permanente en position verticale. Se référer à Section D. Installation, page 7 pour plus de détails.
13. L'appareil de chauffage doit être maintenu propre. Si l'appareil fonctionne dans un environnement sale, nettoyer régulièrement les tubes à ailettes, le ventilateur et la grille de protection du ventilateur. Respecter les procédures d'entretien recommandées. Se référer à Section A. Liste de contrôle pour l'appareil de chauffage, page 3 pour plus de détails.
14. Le noyau de l'appareil de chauffage est chargé sous vide et contient un fluide caloporteur breveté. Si une fuite de liquide se produit au niveau de l'appareil de chauffage, le débrancher de l'alimentation électrique et remplacer le noyau par un noyau fourni par le constructeur. Se référer à Section I. Réparation et remplacement, page 18 pour plus de détails.
15. Ne pas faire fonctionner l'appareil si l'une des grilles d'aération est complètement fermée ou si elle a dépassé sa butée.
16. Ne pas faire fonctionner l'appareil dans des environnements corrosifs pour l'acier ou l'aluminium.
17. Ne pas faire fonctionner l'appareil de chauffage dans des températures ambiantes supérieures à 104 °F (40 °C).
18. Utiliser uniquement des pièces de rechange approuvées par le constructeur.
19. Se reporter aux codes électriques applicables pour les exigences d'étanchéité des conduits installés sur place. Les conduits installés en usine ne nécessitent aucune autre étanchéité.
20. Lors du démarrage, des bruits de craquement ou de tintement peuvent se produire dans le noyau de l'appareil de chauffage. Ceci est normal.
21. L'air évacué près de la partie inférieure de l'appareil de chauffage peut être plus chaud que la partie supérieure. Ceci est normal.
22. Pour toute question ou préoccupation concernant l'appareil de chauffage, contacter le constructeur. Se référer à la couverture arrière de ce manuel pour plus de détails.

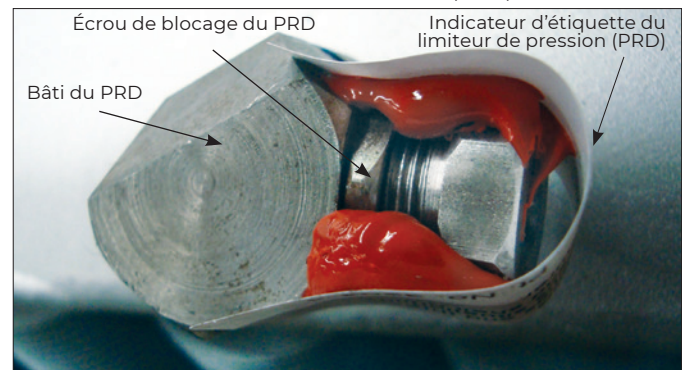


Figure 1

C. CONSEILS DE DÉPANNAGE

1. L'appareil de chauffage ne fonctionne pas.
 - 1.1 Vérifier tous les fusibles dans le boîtier de commande de l'appareil de chauffage.
 - 1.2 Vérifier le sectionneur à distance et le disjoncteur.
 - 1.3 Vérifier la tension fournie à l'appareil de chauffage. Se reporter à la plaque signalétique pour connaître les exigences relatives à la tension.
 - 1.4 Vérifier le thermostat en le tournant et vérifier la continuité avec un multimètre.
 - 1.5 Vérifier l'état de l'interrupteur sectionneur si l'appareil en est équipé. Mesurer la continuité à travers le sectionneur en enclenchant l'interrupteur.
 - 1.6 Vérifier la présence d'un fil de liaison entre les bornes 5 et 6 du bornier situé dans le boîtier de commande.
 - 1.7 Vérifier que le disjoncteur interne n'est pas déclenché. S'il est déclenché, c'est une indication qu'une surchauffe s'est produite. L'appareil de chauffage doit être soigneusement contrôlé par un personnel qualifié pour s'assurer qu'il est en bon état de marche avant de réinitialiser ce dispositif.
2. Le contacteur fait du bruit.
 - 2.1 Vérifier la tension d'alimentation.
 - 2.2 Vérifier les raccordements. Resserrer tous les raccordements électriques lâches.
 - 2.3 Vérifier la continuité du thermostat (Voir 1.4, page 6). Si le thermostat n'interrompt pas la continuité, remplacer le thermostat.
3. Le contacteur est brûlé ou soudé.
 - 3.1 Vérifier s'il y a des traces de brûlure ou un noircissement sur le contacteur. Remplacer le contacteur.
 - 3.2 Vérifier l'alimentation entrante dans l'appareil de chauffage pour s'assurer qu'il n'y a pas de fluctuation de tension.
4. L'échangeur de chaleur est sale.
 - 4.1 Nettoyer l'échangeur de chaleur à l'aide d'air comprimé.
5. Limiteurs de pression.
 - 5.1 Si des signes indiquent que le limiteur de pression a libéré du liquide, que l'indicateur du limiteur de pression est cassé, que le trou de sortie du limiteur de pression est noirci ou que des taches de liquide sont visibles sur la grille d'aération supérieure, arrêter immédiatement l'appareil. L'activation nécessite que l'appareil soit mis hors service pour être inspecté par du personnel autorisé. Ne pas contourner les dispositifs de surpression pour faire fonctionner l'appareil. Verrouiller et étiqueter l'appareil conformément aux procédures du site.
 - 5.2 Vérifier si le débit d'air est restreint, si le moteur est défectueux, si le thermostat est cassé ou si la limite haute fonctionne mal.
 - 5.3 Il existe un limiteur de pression secondaire pour assurer la sécurité de l'appareil.
 - 5.4 Si le limiteur de pression secondaire est ouvert, mettre immédiatement l'appareil hors service. Il s'agit d'un dispositif à usage unique. L'activation nécessite que l'appareil soit mis hors service pour être inspecté par du personnel autorisé. Ne pas contourner le dispositif de surpression pour faire fonctionner l'appareil. Verrouiller et étiqueter l'appareil conformément aux procédures du site.
6. L'appareil de chauffage est froid en haut et chaud en bas.
 - 6.1 Il est possible que le noyau ne soit plus sous vide. Vérifier les limiteurs de pression pour déceler des signes de perte de liquide et vérifier que l'indicateur de l'étiquette des limiteurs de pression n'est pas endommagé. Si les limiteurs de pression se sont relâchés, envoyer l'appareil en réparation ou remplacer le noyau.
 - 6.2 Si le limiteur de pression n'indique pas de perte de liquide, l'appareil de chauffage devrait fonctionner normalement.
 - 6.3 La température ambiante peut être trop basse. Si la température ambiante est très froide, il est normal que le haut du noyau soit plus froid que le bas.
7. Les cycles de l'appareil se font à limite haute; l'appareil se met en marche et s'arrête en moins de 5 minutes.
 - 7.1 Vérifier si les limiteurs de pression ont relâché du liquide. Le noyau peut avoir perdu la majorité ou la totalité de son liquide. Si le limiteur de pression s'est relâché, l'appareil doit être inspecté par du personnel autorisé.
 - 7.2 Le noyau peut être sale, le ventilateur peut ne pas fonctionner ou tourner dans le mauvais sens (le ventilateur doit tourner dans le sens des aiguilles d'une montre vu de l'avant de l'appareil); des objets peuvent être coincés dans l'échangeur de chaleur pour le séchage ou le réchauffement; retirer tout objet de l'échangeur.
8. Le disjoncteur différentiel de fuite à la terre (DDFT) se déclenche sur le panneau principal ou l'appareil de chauffage brûle les fusibles.
 - 8.1 Vérifier si vous avez un fusible de la bonne intensité nominale.
 - 8.2 Vérifier le limiteur de pression pour déceler des signes de perte de liquide et vérifier que l'étiquette du limiteur de pression n'est pas endommagée.
 - 8.3 Si rien n'est observable, envoyer l'appareil de chauffage pour réparation.
 - 8.4 L'échangeur de chaleur doit refroidir pour que l'interrupteur se mette en position « **ON** » (marche).
 - 8.5 Contacter le constructeur si une assistance supplémentaire est requise.
9. Le ventilateur tourne, mais très peu d'air sort du devant de l'appareil de chauffage.
 - 9.1 Vérifier la rotation du ventilateur et s'assurer que le ventilateur tourne dans le sens des aiguilles d'une montre quand on le regarde du devant de l'appareil de chauffage. Se référer à la section Installation ci-dessous pour plus d'informations.
 - 9.2 Vérifier la résistance aérodynamique du moteur et s'assurer qu'elle est dans la limite de tolérance.
 - 9.3 Vérifier les vis de l'ensemble de pales du ventilateur pour s'assurer que les pales sont fixées solidement à l'arbre du moteur et qu'elles ne sont pas desserrées.

D. INSTALLATION Recommandations générales pour l'installation et le câblage

Tous les codes applicables doivent être respectés. Pour un fonctionnement optimal, l'appareil de chauffage doit être installé de la façon suivante :

D.1 Mécanique

1. Emplacement

- 1.1 Il n'y a pas d'obstructions qui pourraient entraver l'entrée ou l'évacuation d'air de l'appareil.
- 1.2 L'évacuation d'air est dirigée vers des zones ouvertes et non vers les occupants.
- 1.3 L'évacuation d'air n'est pas dirigée vers un thermostat.
- 1.4 L'évacuation d'air est dirigée vers des zones de perte de chaleur, comme les portes et les fenêtres (voir Figure 2, page 7).
- 1.5 L'évacuation d'air est dirigée le long des murs extérieurs avec un léger angle (voir Figure 2, page 7).
- 1.6 S'il est important de protéger l'équipement contre le gel, diriger l'évacuation vers l'équipement.
- 1.7 Les courants d'évacuation d'air sont reliés entre eux et créent un flux d'air circulaire. Il n'est pas nécessaire que le jet d'air de l'appareil de chauffage atteigne le suivant (voir Figure 2, page 7).

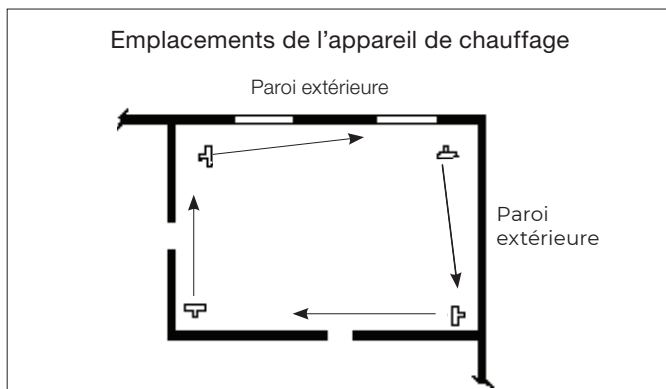


Figure 2

2. Montage

- 2.1 L'appareil de chauffage doit être monté en permanence en position verticale et à niveau pour pouvoir fonctionner. Voir Figure 3, Figure 4 et Figure 5 à la page 7 and 8 pour les angles d'inclinaison maximum, les dégagements d'installation et les dimensions physiques. Pour faciliter l'installation, divers kits de montage sont disponibles en usine.
- 2.2 La structure de montage doit être assez solide pour :
 - Supporter le poids de l'appareil de chauffage (se référer à Section F. Spécifications, page 14).
 - Offrir suffisamment de rigidité pour empêcher la vibration.
 - Résister aux situations difficiles telles que les installations transportables.

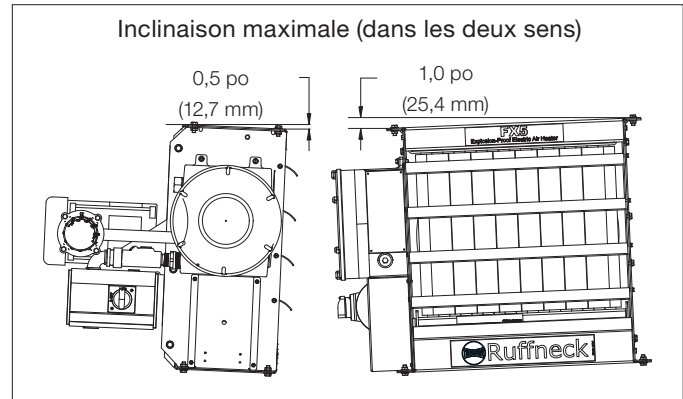


Figure 3

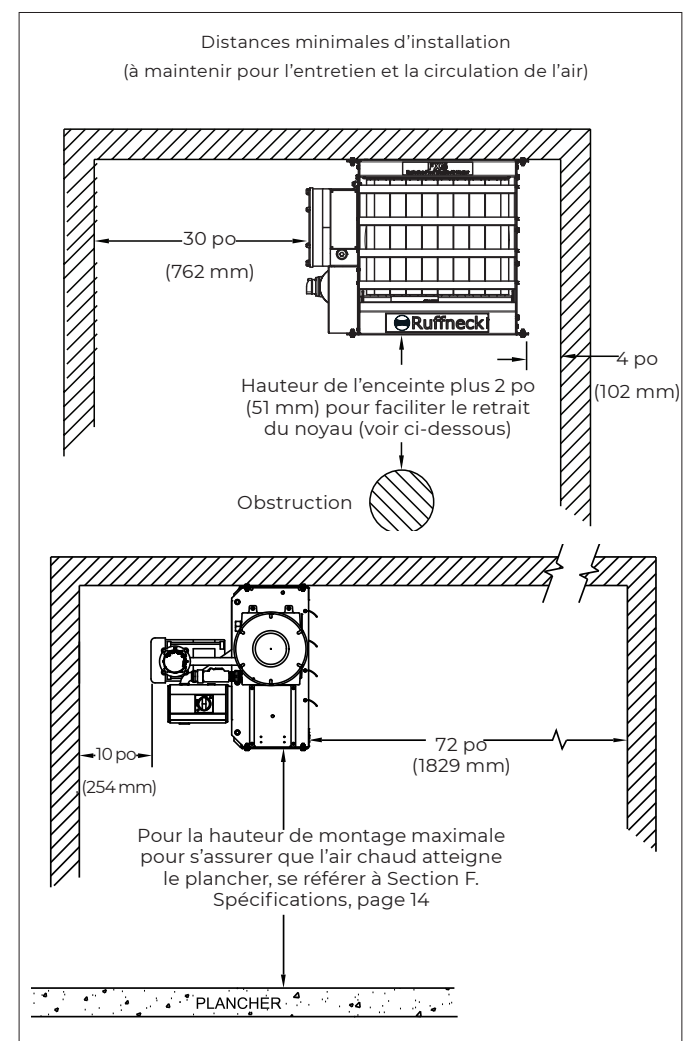
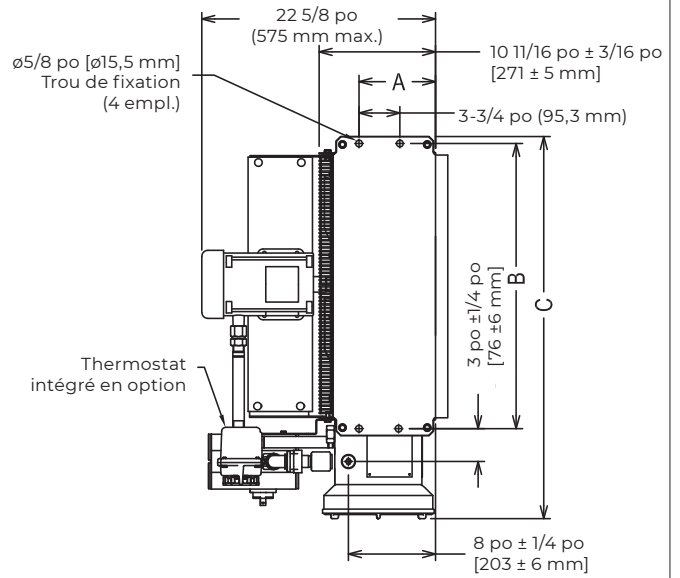


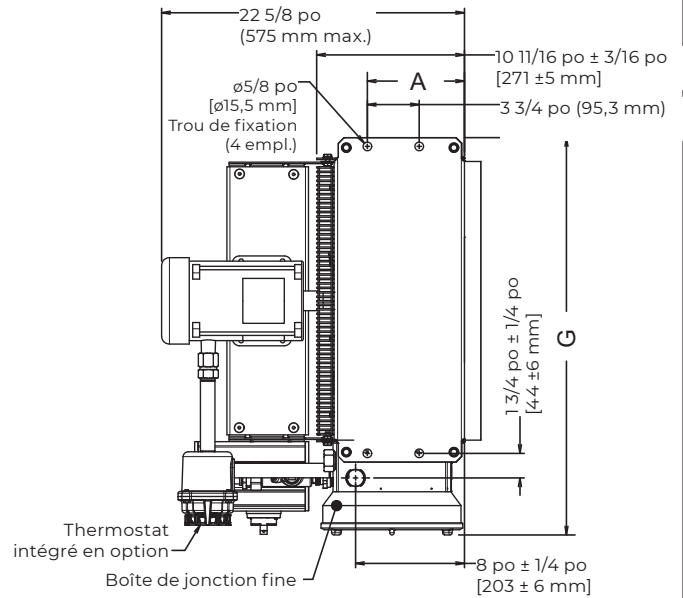
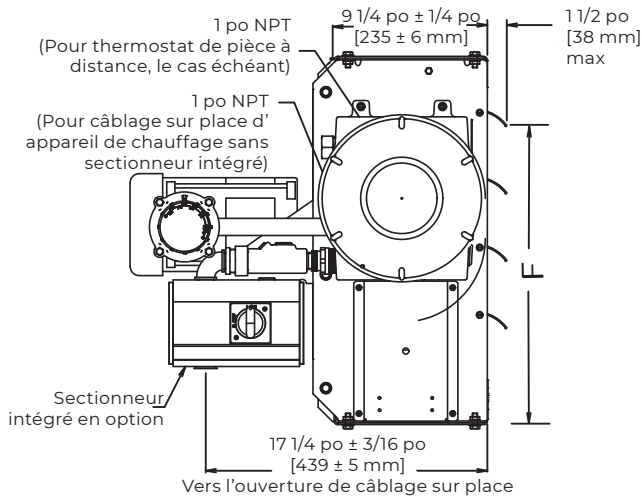
Figure 4

Tolérances sur les dimensions $\pm 1/8$ po [± 3 mm]
Sauf indication contraire.

DIM.	kW	2,5-10	12,5-20	20,9-35	DIM. TOL. \pm
		po	po	po	
A	po	7	7	7	1/8
	mm	178	178	178	3
B	po	18-3/16	22-5/16	26-1/4	1/8
	mm	462	566	667	3
C	po	27	31	35	3/16
	mm	686	787	889	4
D	po	19	23	27	1/8
	mm	484	586	688	3
E	po	19-7/16	23-7/16	27-7/16	3/8
	mm	492	596	697	10
F	po	17-1/2	19-1/2	21-13/16	5/16
	mm	444	495	554	8
G	po	24-5/8	28-5/8	32-5/8	3/16
	mm	625	727	828	4



Grand boîtier de commande



Boîtier de commande fin

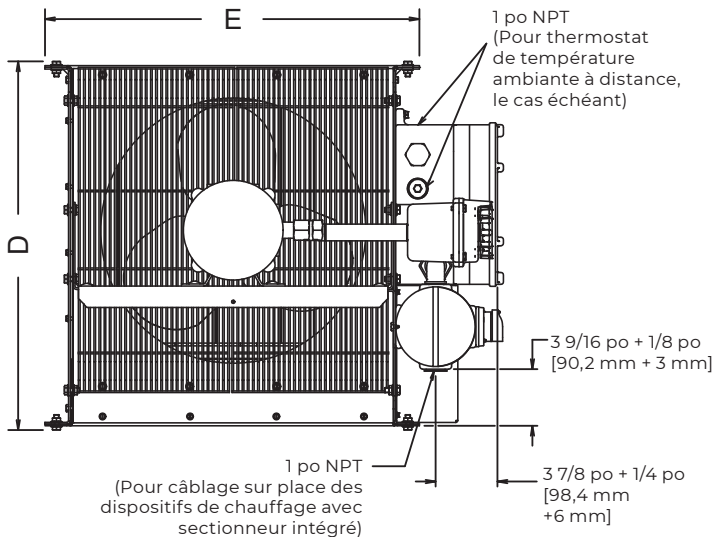


Figure 5



AVERTISSEMENT

AVERTISSEMENT. Débrancher l'appareil de chauffage de la source de courant du sectionneur général ou de la boîte à fusibles avant d'ouvrir les boîtiers ou de procéder à son entretien. SI UN ENTRETIEN EST EFFECTUÉ AU NIVEAU DU SECTIONNEUR GÉNÉRAL, s'assurer que le courant a été coupé à la boîte à fusibles ou au panneau principal. Bloquer le commutateur à la position « OFF » (ouvert), et/ou étiqueter le commutateur pour éviter une mise sous tension inattendue. L'installation et le câblage de l'appareil de chauffage doivent respecter tous les codes applicables.

1. Généralités

- 1.1 Utiliser uniquement des conducteurs en cuivre et des méthodes de câblage antidéflagrantes approuvées lors de l'installation. Se référer à la section E. Données techniques du FX6, page 12 to 13 et à la plaque signalétique de l'appareil de chauffage pour connaître le calibre des conducteurs.
- 1.2 Une protection externe contre les surtensions est requise. Se référer à la section E. Données techniques du FX6, page 12 to 13 et à la plaque signalétique de l'appareil de chauffage pour connaître le calibre des conducteurs. La tension d'alimentation doit se situer dans une fourchette de 10 % de la tension indiquée sur la plaque signalétique.
- 1.3 L'appareil de chauffage doit être installé par du personnel qualifié dans le strict respect des codes de l'électricité.
- 1.4 Tous les chauffages sont livrés précâblés en usine et prêts à être raccordés directement aux câbles d'alimentation électrique.
- 1.5 L'appareil doit être équipé de fusibles individuels, de préférence des fusibles à retardement de classe J pour une sécurité maximale. Sauf indication contraire dans votre code local, la taille du fusible doit être de 125 % du courant de ligne ou de la taille supérieure suivante.

2. Câblage sur place

- 2.1 Les conducteurs d'alimentation, le conducteur de terre et les conducteurs du thermostat de pièce (voir D.3 Schéma de câblage, page 11) passent tous par l'ouverture 1 po NPT (voir Figure 6, page 9) et doivent être câblés dans le boîtier de commande (voir Figure 7, page 9).

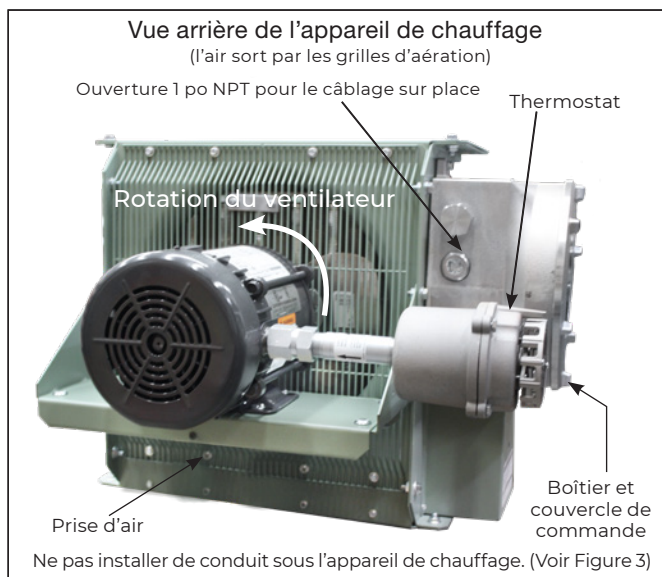


Figure 6

- 2.2 L'appareil de chauffage peut être livré avec un thermostat de pièce intégré installé en usine (voir Figure 8, page 10). Sur les appareils de chauffage non équipés de cette option, il est recommandé d'utiliser un thermostat de pièce à distance. Raccorder les conducteurs du thermostat de pièce à distance au bornier de la carte de circuit imprimé marqué « TSTAT ». Le thermostat utilisé avec cet appareil de chauffage doit :
 - Être de type antidéflagrant
 - Être classé 125 V minimum
 - Avoir une capacité minimale de 2 ampères
 - S'ouvrir lorsque la température augmente

- 2.3 L'appareil de chauffage peut être livré avec un sectionneur général intégré installé en usine. (Voir Figure 8, page 10)

Câblage sur place pour sectionneur général :

- Les conducteurs d'alimentation et le conducteur de terre passent par l'ouverture 1 po NPT du boîtier du sectionneur (voir Figure 8, page 10). Les conducteurs d'alimentation doivent être câblés à l'intérieur du sectionneur. Le conducteur de mise à la terre doit être câblé à la cosse de mise à la terre fixée à l'intérieur du boîtier du sectionneur.
 - Le cas échéant, les conducteurs du thermostat de pièce à distance passent par l'ouverture 1 po NPT (voir Figure 8, page 10) et doivent être câblés aux bornes de la carte de circuit imprimé marquées « T'STAT ».
 - Pour réduire le risque d'incendie dans des atmosphères dangereuses, les conduits doivent être munis d'un raccord étanche relié à 18 po (457 mm).
- 2.4 Les conduits installés en usine ne nécessitent aucune autre étanchéité. Le sectionneur intégré est scellé en usine.
 - La borne de mise à la terre interne du boîtier de commande (ou du boîtier du sectionneur intégré lorsque cette option est fournie) doit être utilisée comme moyen de mise à la terre de l'équipement. Une borne de mise à la masse externe est prévue pour une connexion de mise à la masse supplémentaire lorsque les autorités locales autorisent ou exigent une telle connexion.

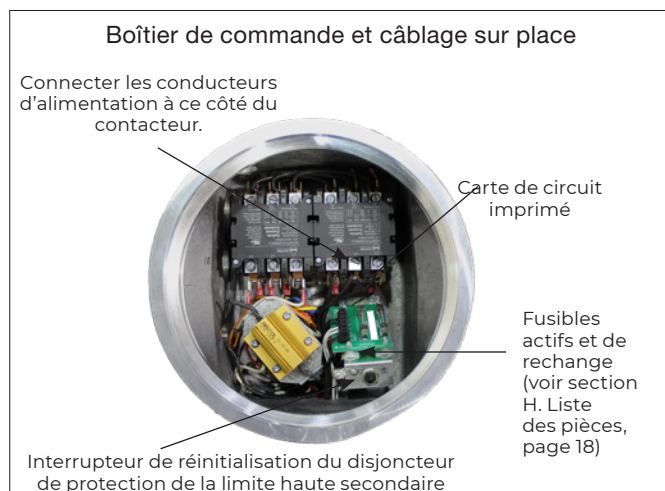


Figure 7

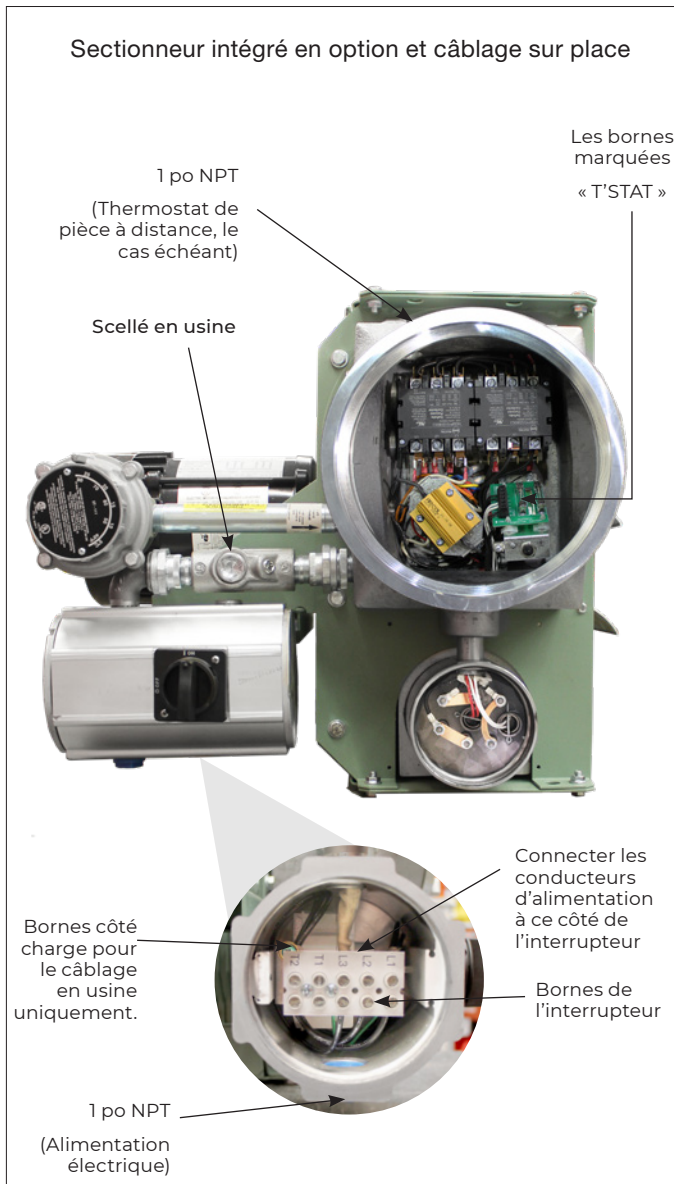


Figure 8

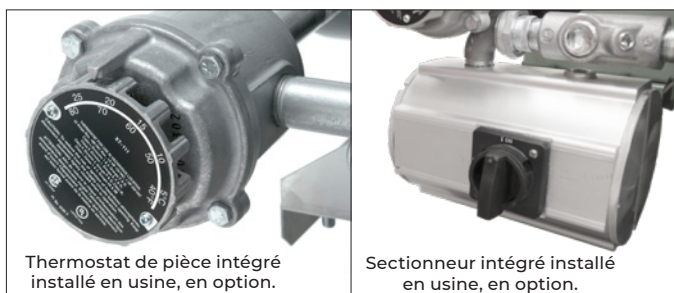


Figure 9

3. Inspection finale

3.1 Avant d'appliquer l'alimentation électrique :

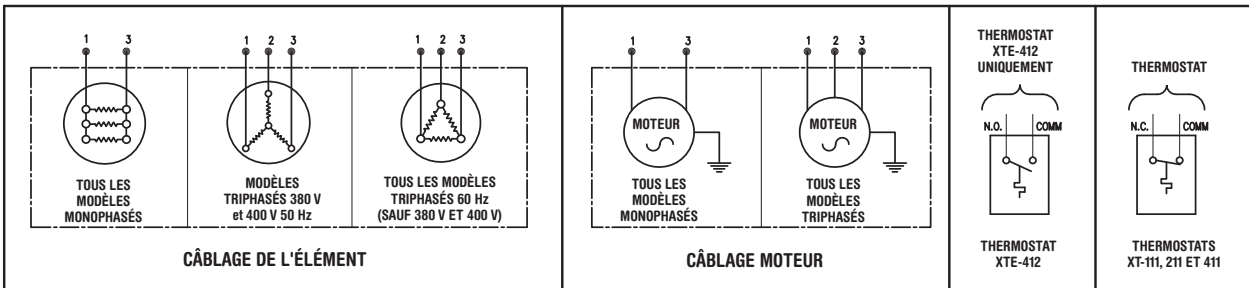
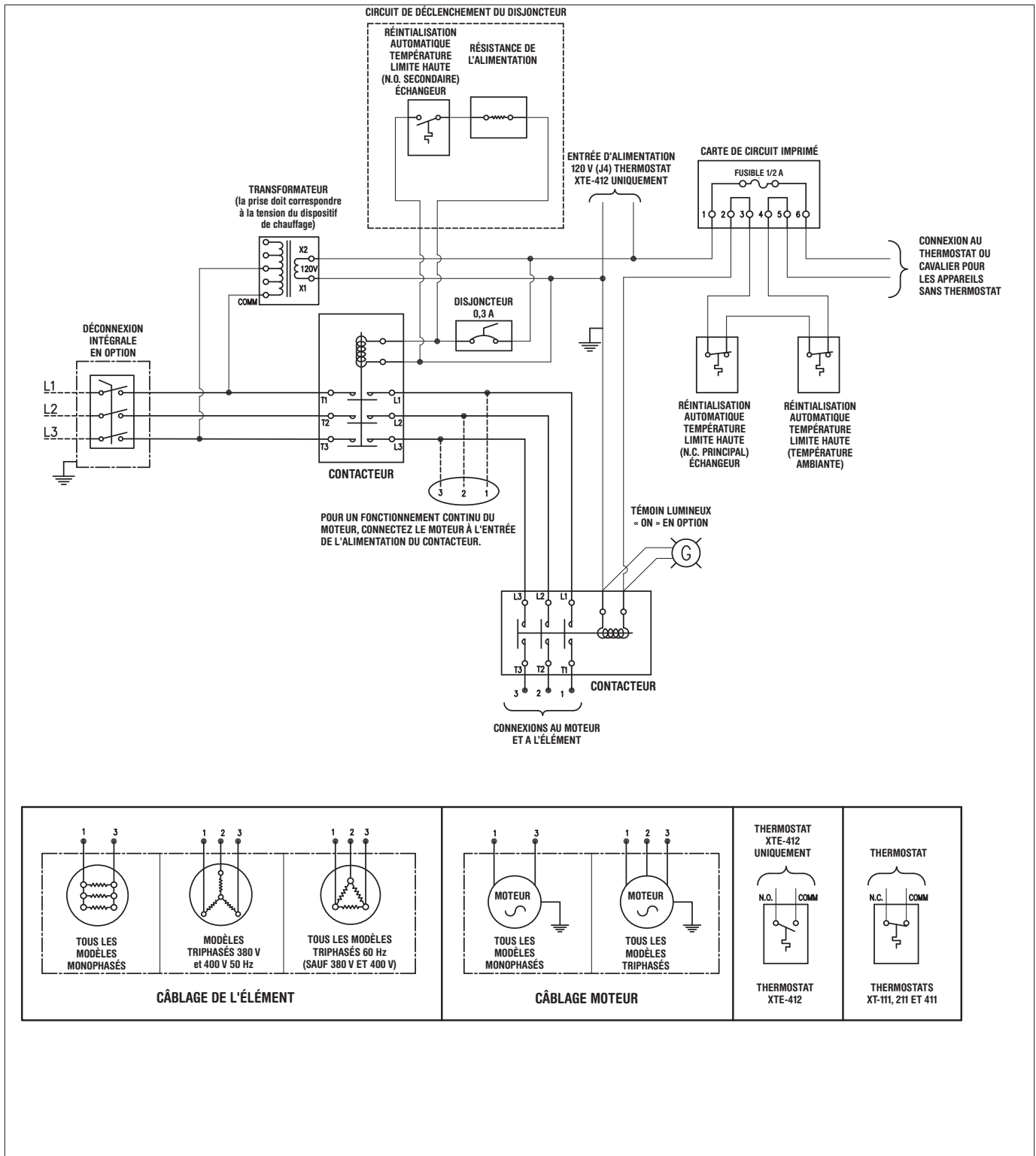
- S'assurer que tous les raccordements sont bien sûrs et qu'ils respectent les exigences du schéma de câblage (voir Schéma de câblage, page 11) et des codes applicables.
- Vérifier si l'alimentation est compatible avec les données de la plaque signalétique de l'appareil de chauffage.
- Enlever tout corps étranger de l'appareil de chauffage.
- Installer tous les couvercles et vérifier que tous les boîtiers sont bien fixés.
- S'assurer que le ventilateur tourne librement. Voir Figure 6, page 9 pour le bon sens de rotation du ventilateur.



AVERTISSEMENT

AVERTISSEMENT. Si l'appareil de chauffage a été entreposé à des températures égales ou inférieures au point de congélation, le fluide caloporteur peut geler. Dans ces circonstances, un cycle d'alimentation de l'appareil de chauffage est nécessaire, soit 30 secondes sous tension, 30 secondes hors tension pendant 3 minutes lors du démarrage initial.

SCHÉMA DE CÂBLAGE DU FX6



E. DONNÉES TECHNIQUES DU FX6

E.1 Modules de chauffage électriques 50 Hz

Modèle	Débit d'air		Puissance électrique nominale	Phase	Courant nominal max. du moteur	Puissance électrique de l'appareil de chauffage	Courant total	Intensité minimale du circuit	Câble d'alimentation	Taille maximale du fusible	Hausse de la température		Numéro de pièce du kit de noyau	Numéro de pièce du contacteur
	CFM	V									°F	°C		
FX6-220150-025	400	220	2,5	1	4,7	2270	16,1	20,1	10	25	19,8	11,0	12122	13847
FX6-220150-042	400		4,2		4,7	3950	23,8	29,7	10	30	33,2	18,4	12123	
FX6-220150-063	700		6,3		4,7	6050	33,3	41,7	8	45	28,5	15,8	12124	
FX6-220150-084	700		8,4		4,7	8140	42,9	53,6	6	60	37,9	21,1	12125	
FX6-220150-126*	1450		12,6		4,7	12100	62,0	77,5	4	80	27,5	15,3	12126	
FX6-230150-028	400	230	2,8	1	4,1	2480	16,3	20,3	10	25	22,1	12,3	12127	
FX6-230150-046	400		4,6		4,1	4310	24,1	30,1	8	35	36,4	20,2	12128	
FX6-230150-069	700		6,9		4,1	6610	34,1	42,6	8	45	31,2	17,3	12129	
FX6-230150-138*	1450		13,8		4,1	13200	64,1	80,1	4	90	30,1	16,7	12130	
FX6-380350-025	400	380	2,5	1	1,1	2270	4,9	6,1	14	10	19,8	11,0	12136	
FX6-380350-042	400		4,2		1,1	3950	7,5	9,4	14	10	33,2	18,4	12137	
FX6-380350-063	700		6,3		1,1	6050	10,7	13,4	14	15	28,5	15,8	12138	
FX6-380350-084	700		8,4		1,1	8140	13,9	17,3	12	20	37,9	21,1	12139	
FX6-380350-125	1450		12,5		1,1	12100	20,1	25,1	10	30	27,3	15,1	12140	
FX6-380350-209	3000		20,9		1,1	20300	32,9	41,1	8	45	22,0	12,2	12142	
FX6-400350-028	400	400	2,8	3	1,1	2480	5,1	6,4	14	10	22,1	12,3	12143	
FX6-400350-046	400		4,6		1,1	4310	7,7	9,7	14	10	36,4	20,2	12144	
FX6-400350-069	700		6,9		1,1	6610	11,1	13,8	14	15	31,2	17,3	12145	
FX6-400350-093	700		9,3		1,1	8900	14,5	18,2	12	20	42,0	23,3	12146	
FX6-400350-139	1450		13,9		1,1	13200	21,2	26,5	10	30	30,3	16,8	12147	
FX6-400350-185	1450		18,5		1,1	17800	27,8	34,8	8	35	40,3	22,4	12148	
FX6-400350-231	3000		23,1		1,1	22200	34,5	43,1	8	45	24,3	13,5	12149	
FX6-415350-037	400	415	3,7	1	1,2	3510	6,4	7,9	14	10	29,3	16,3	12150	
FX6-415350-075	700		7,5		1,2	7240	11,6	14,6	14	15	33,9	18,8	12151	
FX6-415350-149	1450		14,9		1,2	14500	22,0	27,4	10	30	32,5	18,1	12152	
FX6-415350-224	3000		22,4		1,2	21800	32,4	40,5	8	45	23,6	13,1	12153	
FX6-440350-042	400	440	4,2	1	1,2	3950	6,7	8,4	14	10	33,2	18,4	12154	
FX6-440350-084	700		8,4		1,2	8140	12,2	15,3	12	20	37,9	21,1	12155	
FX6-440350-168	1450		16,8		1,2	16300	23,3	29,1	10	30	36,6	20,4	12156	
FX6-440350-210	3000		20,9		1,2	20300	28,7	35,8	8	40	22,1	12,2	12157	

Remarques

* Dépasse la limite du circuit de 48 ampères du NEC 424-22. DS non disponible pour ces unités.

**480 V : Les unités monophasées sont certifiées pour la Catégorie I, Div. 1, Groupe D et Catégorie II, Div. 1 Groupes F et G. Résistance chauffante de -20°C à +40°C. Commande spéciale.

1. Taille minimale du conducteur pour une température ambiante de 86 °F (30 °C). Adapter le conducteur à la température ambiante. Utiliser une isolation minimale de 194 °F (90 °C).

2. L'appareil fonctionne normalement si, à la tension nominale, l'intensité se situe dans une fourchette de 10 % de la valeur indiquée dans ce tableau.
3. Le fonctionnement à des tensions inférieures entraînera une baisse de la production de chaleur et de l'intensité.
4. Ajouter « T » au numéro de modèle lors de l'ajout d'un thermostat intégré.
5. Ajouter « D » au numéro de modèle lors de l'ajout d'un sectionneur intégré.

E.2 Modules de chauffage électriques 60 Hz

Modèle	Tension	Puissance électrique nominale	Phase	Courant nominal max. du moteur	Puissance électrique de l'appareil de chauffage	Courant total	Intensité minimale du circuit	Câble d'alimentation	Taille maximale du fusible	Hausse de la température		Numéro de pièce du kit de noyau	Numéro de pièce du contacteur		
										°F	°C				
	V	kW			W	A	A	AWG	A						
FX6-208160-030	208	3,0	1	4,1	2700	18,5	23,2	10	25	19,0	10,5	12116	13847		
FX6-208160-050		5,0		4,1	4700	28,1	35,2	8	40	31,6	17,6	12117			
FX6-208160-075		7,5		4,1	7200	40,2	50,2	6	60	27,9	15,5	12118			
FX6-208160-100*		10,0		4,1	9690	52,2	65,2	6	70	37,2	20,7	12119			
FX6-208360-030		3	3,0	2,3	2700	10,6	13,3	14	15	11,2	6,2	12116			
FX6-208360-050			5,0	2,3	4700	16,2	20,2	10	25	18,6	10,3	12117			
FX6-208360-075			7,5	2,3	7200	23,1	28,9	10	30	27,9	15,5	12118			
FX6-208360-100			10,0	2,3	9700	30,1	37,6	8	40	37,2	20,7	12119			
FX6-208360-150			15	2,3	14400	44,0	55,0	6	60	27,1	15,1	12120			
FX6-240160-030			240	3,0	1	4,1	2700	16,6	20,8	10	25	19,0		10,5	12122
FX6-240160-050				5,0		4,1	4700	24,9	31,2	8	35	31,6		17,6	12123
FX6-240160-075				7,5		4,1	7200	35,4	44,2	8	45	27,9		15,5	12124
FX6-240160-100		10,0		4,1		9700	45,8	57,2	6	60	37,2	20,7		12125	
FX6-240160-150*		15,0		4,1	14400	66,6	83,3	4	90	27,1	15,1	12126			
FX6-240360-030		3		3,0	2,4	2700	9,6	12,0	14	15	19,0	10,5		12122	
FX6-240360-050				5,0	2,4	4700	14,4	18,1	12	20	31,6	17,6		12123	
FX6-240360-075	7,5			2,4	7200	20,5	25,6	10	30	27,9	15,5	12124			
FX6-240360-100	10,0			2,4	9700	26,5	33,1	8	35	37,2	20,7	12125			
FX6-240360-150	15,0			2,4	14400	38,5	48,2	8	50	27,1	15,1	12126			
FX6-480160-030 **	480			3,0	1	0,8	2700	7,1	8,8	14	10	19,0		10,5	12129
FX6-480160-050 **				5,0		0,8	4700	11,2	14,0	14	15	31,6		17,6	12130
FX6-480160-075 **			7,5	0,8		7200	16,4	20,5	10	25	27,9	15,5		12131	
FX6-480160-100 **		10,0	0,8	9700		21,6	27,0	10	30	37,2	20,7	12132			
FX6-480160-150 **		15,0	0,8	14400	32,1	40,1	8	45	27,1	15,1	12133				
FX6-480160-200 **		20,0	0,8	19400	42,5	53,1	6	60	36,1	20,1	12134				
FX6-480360-030		3	3,0	1,2	2700	4,8	6,0	14	10	19,0	10,5	12129			
FX6-480360-050			5,0	1,2	4700	7,2	9,0	14	10	31,6	17,6	12130			
FX6-480360-075			7,5	1,2	7200	10,2	12,8	14	15	27,9	15,5	12131			
FX6-480360-100			10,0	1,2	9700	13,2	16,6	12	20	37,2	20,7	12132			
FX6-480360-150			15,0	1,2	14400	19,3	24,1	10	25	27,1	15,1	12133			
FX6-480360-200			20,0	1,2	19400	25,3	31,6	8	35	36,1	20,1	12134			
FX6-480360-250			25,0	1,2	24200	31,3	39,1	8	40	22,0	12,2	12135			
FX6-480360-300			30,0	1,2	29200	37,3	46,7	8	50	26,4	14,6	12136			
FX6-480360-350			35,0	1,2	34200	43,3	54,2	6	60	30,7	17,1	12137			
FX6-600360-030			600	3,0	3	0,7	2700	3,6	4,5	14	10	19,0		10,5	12138
FX6-600360-050				5,0		0,7	4700	5,5	6,9	14	10	31,6		17,6	12139
FX6-600360-075				7,5		0,7	7200	7,9	9,9	14	15	27,9		15,5	12140
FX6-600360-100				10,0		0,7	9700	10,3	12,9	14	15	18,1		20,7	12141
FX6-600360-150				15,0		0,7	14400	15,2	18,9	12	20	27,1		15,1	12142
FX6-600360-200	20,0			0,7		19400	20,0	25,0	10	30	36,1	20,1		12143	
FX6-600360-250	25,0			0,7		24200	24,8	31,0	8	35	45,2	25,1		12144	
FX6-600360-300	30,0	0,7		29200		29,6	37,0	8	40	26,4	14,6	12145			
FX6-600360-350	35,0	0,7		34200		34,4	43,0	8	45	30,7	17,1	12146			

6. Ajouter « U » au numéro de modèle pour les unités avec option de ventilateur continu.
7. Ajouter « A » au numéro de modèle pour les unités avec une enceinte en acier inoxydable.
8. Ajouter « L » au numéro de modèle pour l'option grande boîte.
9. Ajouter « P » au numéro de modèle lors de l'ajout d'un témoin lumineux intégré.

F. SPÉCIFICATIONS



F.1 Modèles 50 Hz

		kW nominal							
		2,5	3,7 et 4,6	6,3 et 7,5	8,4	12,5 et 12,6	14,9 et 16,7	20,9	22,4
Altitude maximale	pi	12 000	8 000	10 000	7 000	10 000	7 000	10 000	7 000
	m	3 658	2 438	3 048	2 134	3 048	2 134	3 048	2 134
Débit d'air	à 70 °F (CFM)	400		700		1,450		3,000	
	à 21 °C (m ³ /h)	679		1 189		2 463		5 096	
Jet d'air horizontal	pi	13		25		35		60	
	m	4,0		7,6		10,7		18,2	
Hauteur maximale de montage (jusqu'à la face inférieure)	pi	7		10				20	
	m	2,1		3,0				6,1	
Puissance minimale du moteur	HP	1/2							
	kW	0,373							
Diamètre du ventilateur	po	12			16		20		
	mm	305			406		508		
Poids net	sans DS	lb	148		177		212		
		kg	67,1		80,2		96,2		
	avec DS	lb	160		189		224		
		kg	82,5		95,6		101,6		
Poids à l'expédition	sans DS	lb	202		227		263		
		kg	91,6		202,9		119,3		
	avec DS	lb	214		239		275		
		kg	97		108,3		124,7		

Spécifications pour tous les modèles 50 Hz et 60 Hz

1. Classement des emplacements dangereux	Catégorie I, Groupes C et D; Catégorie II, Groupes E, F et G; Code température T3B [329 °F (165 °C)]*	7. Éléments chauffants	Trois éléments à longue durée de vie, à faible consommation et de haute qualité métallique.
2. Boîtiers	NEMA Type 7 et 9. Pour utilisation à l'intérieur, au sec, uniquement. Ne pas le plonger dans de l'eau. Ne pas l'entreposer ou l'utiliser dans des endroits exposés à la pluie ou à la neige.	8. Limite haute de température	Type à réinitialisation automatique, bimétallique à action rapide, activé par la hausse de température. Classé 100 000 cycles à 10 ampères, gère 0,128 ampère.
3. Type de moteur	Antidéflagrant. Avec protection thermique. Roulements à billes lubrifiés en permanence.	9. Limite haute de la température de secours	Type à réinitialisation automatique, bimétallique à action rapide, désactivé par la hausse de température. Classé 100 000 cycles à 10 ampères, gère 0,128 ampère.
4. Ventilateur	Pale en aluminium. Segment et moyeu en acier avec alésage de 5/8 po (15,875 mm)	10. Circuit de commande	120 V, 0,128 A, 15 VA. (mis à la terre)
5. Protecteur du ventilateur	Conception en deux parties avec un espacement étroit entre les fils. Une sonde de diamètre 1/4" (6,3 mm) ne rentrera pas	11. Boîte de jonction fine	10,25 po (230 mm) x 8,00 po (180 mm) x 6,75 po (172 mm)
6. Trous de montage	Deux trous de 9/16 po. (14,3 mm) de diamètre sur la partie supérieure	12. Thermostat intégré en option	36 °F à 82 °F (2 °C à 28 °C)

Remarque :

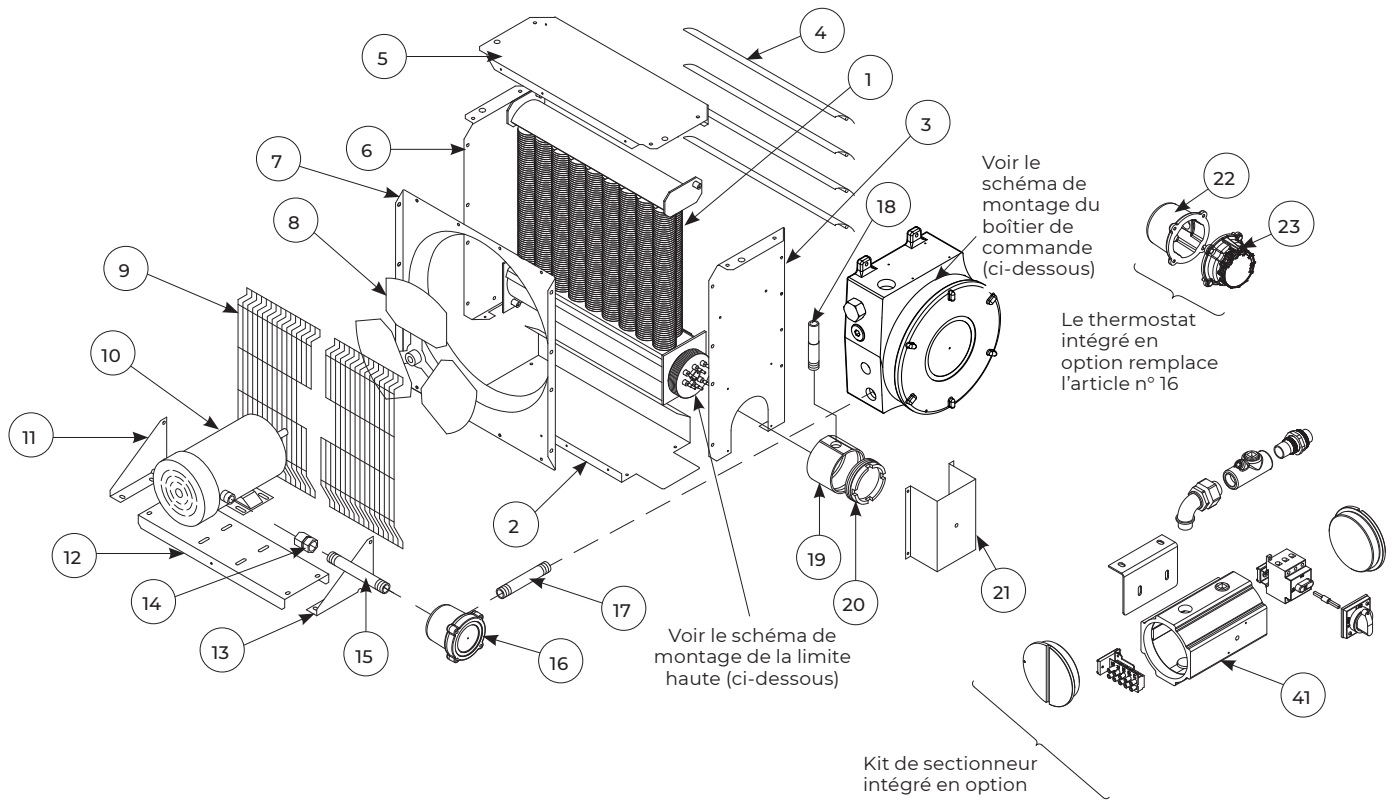
* Certains appareils peuvent être de catégorie I, Div. I, groupe D et de catégorie II, Div. I, groupes F et G.

F.2 Modèles 60 Hz

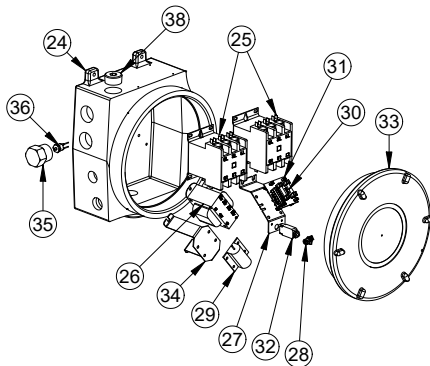
		kW nominal								
		3	5	7,5	10	15	20	25	30	35
Altitude maximale	pi	12 000	8 000	10 000	7 000	10 000	7 000	10 000	7 000	6 000
	m	3 658	2 438	3 048	2 134	3 048	2 134	3 048	2 134	1 829
Débit d'air	à 70 °F (CFM)	500		850		1750		3600		
	à 21 °C (m ³ /h)	850		1444		2973		6116		
Jet d'air horizontal	pi	15		30		40		70		
	m	4,6		9,1		12,2		21,3		
Hauteur maximale de montage (jusqu'à la face inférieure)	pi	7		10		20				
	m	2,1		3,0		6,1				
Puissance minimale du moteur	HP	1/2								
	kW	0,373								
Diamètre du ventilateur	po	12			16		20			
	mm	305			406		508			
Poids net	sans DS	lb	148		177		212			
		kg	67,1		80,2		96,2			
	avec DS	lb	160		189		224			
		kg	82,5		95,6		101,6			
Poids à l'expédition	sans DS	lb	202		227		263			
		kg	91,6		103,9		119,3			
	avec DS	lb	214		239		275			
		kg	97		108,3		124,7			

13. Sectionneur intégré en option	DS à utiliser uniquement sur des appareils de chauffage dont la puissance totale ne dépasse pas 48 ampères. La poignée verrouillable intègre un arceau de 1/4 po de diamètre.	19. Noyau	Acier avec ailettes intégrales en aluminium, chargé sous vide et scellé hermétiquement.
14. Transformateur de commande	Principal multiprise, 120 V secondaire, 50 VA	20. Matériau du conduit	Acier à paroi épaisse, 0,122 po (3,1 mm)
15. Témoin lumineux en option	Indique un besoin de chauffage	21. Protection contre les surpressions	Limiteur de pression, structure en acier, pas de pièces à réparer sur place
16. Contacteur	75 amp. Capacité de 1 000 000 d'opérations mécaniques. 120 V, bobine de 15 VA (protégée par un fusible séparé)	22. Protection de secours contre les surpressions	Dispositif à usage unique, non réparable.
17. Fluide caloporteur	Fluide caloporteur breveté de longue durée	23. Limites de température de fonctionnement	-58 °F à 104 °F (-50 °C à 40 °C)
18. Matériau de l'enceinte	12 ga. (0,104 po) (2,60 mm) d'acier. Revêtement époxy avec un prétraitement en cinq étapes, dont le phosphate de fer. Acier inoxydable en option.	24. Limites d'entreposage	-58 °F à 176 °F (-50 °C à 80 °C). Ne pas le plonger dans de l'eau. Ne pas exposer à la pluie ou à la neige.

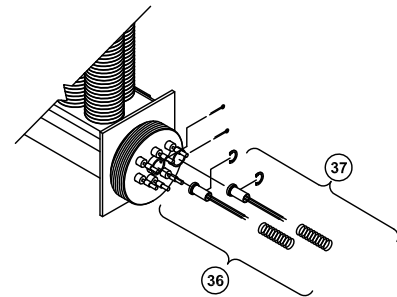
G. SCHÉMA DE MONTAGE DES PIÈCES



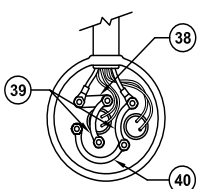
Grand boîtier de commande



Limite haute

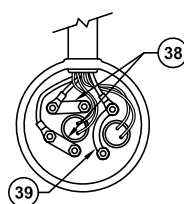


Configuration de la barre collectrice pour tous les systèmes monophasés



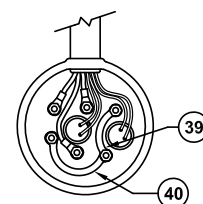
Configuration de la barre collectrice pour tous les systèmes triphasés

(exceptés les modèles 380 V et 400 V 50 Hz)



Configuration de la barre collectrice pour tous les systèmes triphasés

(modèles 380 V et 400 V 50 Hz)



H. LISTE DES PIÈCES Modules de chauffage électrique à air pulsé

Veillez avoir les numéros de modèle et de série à portée de main avant de téléphoner

Article	Description	2,5 – 4,6 kW	6,3 – 10 kW	12,5 – 20 kW	20,9 – 35 kW	
1	Noyau			**		
2	Panneau, partie inférieure	Peinture : 12694-02 AI : 12694-03		Peinture : 12699-02 AI : 12699-03	Peinture : 12704-02 AI : 12704-03	
3	Panneau, côté gauche	Peinture : 12691-02 AI : 12691-03		Peinture : 12696-02 AI : 12696-03	Peinture : 12701-02 AI : 12701-03	
4	Kit grille d'aération, avec vis	4075		4076	4077	
5	Panneau, partie supérieure	Peinture : 12693-02 AI : 12693-03		Peinture : 12698-02 AI : 12698-03	Peinture : 12703-02 AI : 12703-03	
6	Panneau, côté droit	Peinture : 12692-02 AI : 12692-03		Peinture : 12697-02 AI : 12697-03	Peinture : 12702-02 AI : 12702-03	
7	Panneau, capot de ventilateur	Peinture : 3782 AI : 9212		Peinture : 3783 AI : 9213	Peinture : 3784 AI : 9214	
8	Pale de ventilateur	4022	4023	4024	4025	
9	Kit de protection du ventilateur	Peinture : 4078 AI : 9504		Peinture : 4079 AI : 9505	Peinture : 4080 AI : 9506	
10	208/240 V 1PH 60 Hz	12215 (moteurs américains)		10388 (marathon)		
	220 V 1PH 50 Hz					
	480 V 1PH 60 Hz	9896 (Baldor)			S.O.	
	208/240/480 V 3PH 60 Hz	10562 (moteurs américains)		10387 (Marathon)		
	380/415 V 3PH 50 Hz					
	600 V 3PH 60 Hz	2433 (moteurs américains)		10672 (Marathon)		
11	Support de montage du moteur, côté droit	Peinture : 3789 AI : 9112		Peinture : 3789 AI : 9112	Peinture : 3789 AI : 9112	
12	Rail, support moteur	Peinture : 3785 AI : 9206		Peinture : 3786 AI : 9207	Peinture : 3787 AI : 9208	
13	Support de montage du moteur, côté gauche	Peinture : 3788 AI : 9111		Peinture : 3788 AI : 9111	Peinture : 3788 AI : 9111	
14	Attelage, moteur	3737 (moteurs américains)		4590 (moteurs Baldor et Marathon)		
15	Conduit, Moteur	9500		3813	10389	
16	Couvercle, boîtier du thermostat	5371				
17	Conduit, boîtier de commande	3813				
18	Conduit, boîtier de l'élément	Contacter l'usine				
19	Boîtier, élément	9679				
20	Couvercle, boîtier de l'élément	3510				
21	Panneau, protection du boîtier de l'élément	Peinture : 12695-02 AI : 12695-03		Peinture : 12700-02 AI : 12700-03	Peinture : 12705-02 AI : 12705-03	
22	Boîtier, thermostat	4983				
23	Thermostat, kit intégré	-				
24	Boîtier, commande	-				
25	Contacteur	13847				
26	Transformateur	12290 (60 Hz)		11295 (50 Hz)		
27	Support, carte de circuit imprimé	3809				
28	Borne, 6-14 Ga. Cosse à vis	1876				
29	Résistance de puissance du circuit de protection thermique secondaire	-				
30	Fusible, bus MDQ – 1/2 Amp	9357				
31	Assemblage, carte de circuit imprimé	3514				
32	Réinitialisation de la protection thermique secondaire	Contacter l'usine				
33	Couvercle, boîtier de commande	11960				
34	Support, au-dessus du transformateur	-				
35	Sonde thermométrique, limite haute de température ambiante	9267				
36	Limite haute, température ambiante	-				
37	Prise, 1" NPT antidéflagrante	12169				
38	Kit Limite haute de température (N.O.)	-				
39	Kit Limite haute de température (N.C.)	-				
40	Barre collectrice, droite	Fournie avec kits pour noyau**				
41	Barre collectrice, petite courbe					
42	Barre collectrice, large courbe					
43	Kit, assemblage DS	-				
44	Assemblage témoin lumineux	XMOLG-120				

** Voir le tableau des données techniques pour les numéros de pièces. **Remarque** : Pour les articles non illustrés, contacter le constructeur.

I. RÉPARATION ET REMPLACEMENT



AVERTISSEMENT

AVERTISSEMENT

Débrancher l'appareil de chauffage de la source de courant du sectionneur général ou de la boîte à fusibles avant d'ouvrir les boîtiers ou de procéder à son entretien.

SI UN ENTRETIEN EST EFFECTUÉ AU NIVEAU DU SECTIONNEUR GÉNÉRAL, s'assurer que le courant a été coupé à la boîte à fusibles ou au panneau principal.

Bloquer le commutateur à la position « OFF » (ouvert), et/ou étiqueter le commutateur pour éviter une mise sous tension imprévue.

Ce dispositif de chauffage doit être entretenu uniquement par un technicien ayant une expérience avec les équipements de chauffage en zones dangereuses.

1. Après la réparation d'un composant :
 - 1.1 Vérifier que les connexions électriques sont correctes et sécurisées (voir Figure 9, page 10).
 - 1.2 Enlever toute corps étranger des boîtiers
 - 1.3 Installer et fixer tous les couvercles
 - 1.4 S'assurer que toutes les fixations sont bien serrées
 - 1.5 Retirer tout objet étranger de l'appareil de chauffage
 - 1.6 S'assurer que l'air sort par les grilles d'aération et que le ventilateur tourne dans le sens inverse des aiguilles d'une montre lorsqu'il est vu de l'arrière de l'appareil de chauffage (voir Figure 14, page 19).

Le noyau de l'appareil de chauffage est chargé sous vide et ne peut pas être réparé sur place.

2. Noyau

Pour le retrait du noyau :

- 2.1 Retirer la partie inférieure de l'enceinte et le couvercle du boîtier de l'élément.
- 2.2 Débrancher tous les fils pénétrant dans le boîtier de l'élément (voir Figure 10, page 18)
- 2.3 Desserrer légèrement tous les boulons de l'enceinte illustrés à la Figure 10, page 18, pour empêcher le noyau de se coincer.
- 2.4 Avec l'aide d'un assistant supportant le poids du noyau, retirer les 3 boulons de montage du noyau. Faire descendre délicatement le noyau hors de l'enceinte (voir Figure 11, page 18).
- 2.5 Pour renvoyer le noyau à l'usine, utiliser la caisse fournie avec le noyau de rechange pour protéger les bornes de l'élément et les filets de la plaque.
- 2.6 Pour le réinstaller, soulever le noyau dans l'enceinte pendant qu'un assistant guide les fils de l'élément dans le conduit du boîtier de l'élément.
- 2.7 Positionner le noyau et serrer les 3 boulons de montage du noyau. Serrez les autres boulons de l'enceinte.

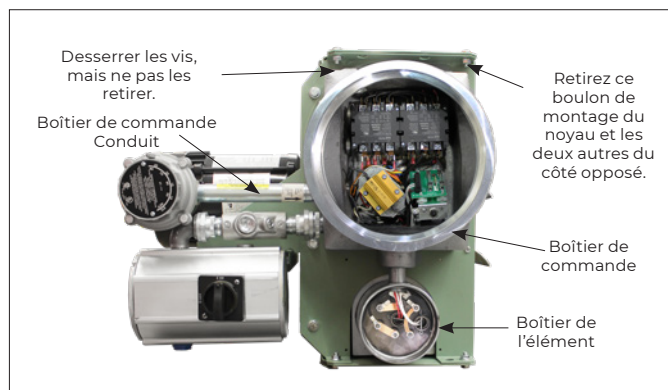


Figure 10

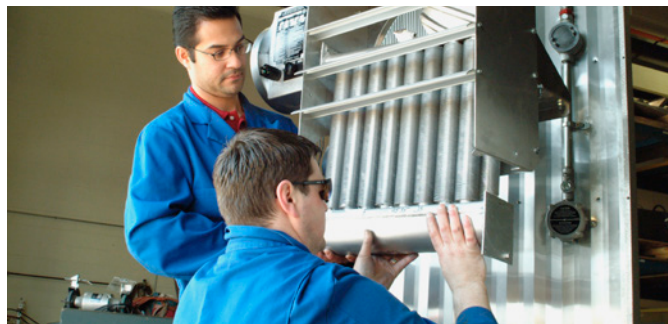


Figure 11

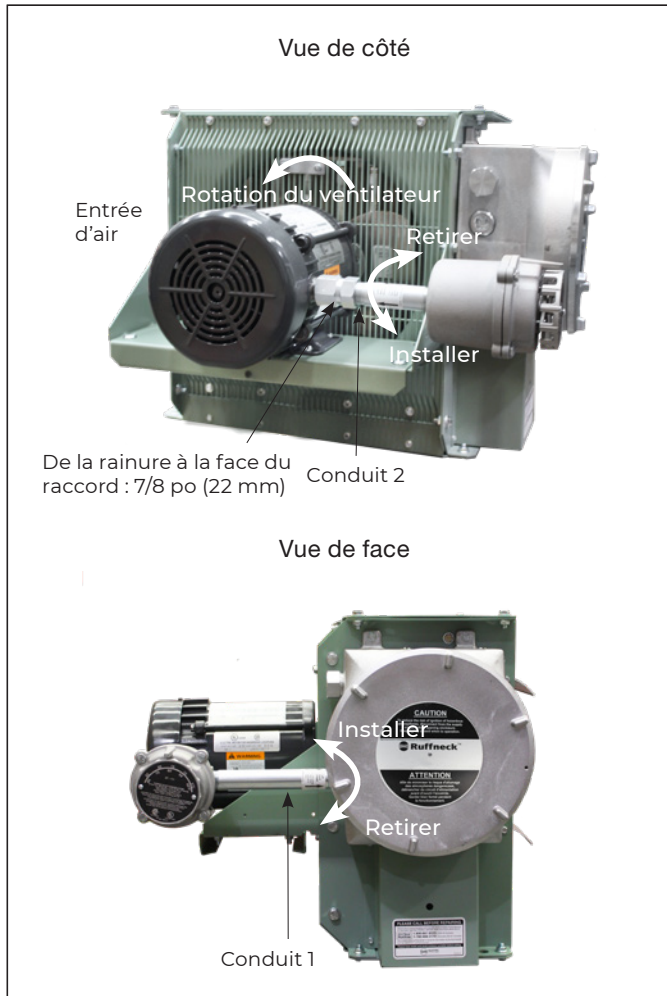


Figure 12



Figure 13



Figure 14

3. Moteur, ventilateur et protecteur du ventilateur
 - 3.1 Retirer les boulons de fixation du moteur à son support. Sur les appareils dotés d'un thermostat intégré, retirer les boulons situés à l'arrière du boîtier du thermostat.
 - 3.2 Enlever le conduit 1 situé entre la boîte de jonction du moteur et le boîtier de commande en le tournant dans la direction illustrée (voir Figure 12, page 19). Remarque : Les conduits 1 et 2 ne sont pas interchangeables et ont un filetage à gauche à une extrémité, cette extrémité est indiquée par une rainure usinée.
 - 3.3 Retirer les deux pièces formant le protecteur du ventilateur (voir Figure 13, page 19).
 - 3.4 Soulever l'ensemble du moteur pour le retirer de son support.
 - 3.5 Avant de déposer le ventilateur, mesurer et noter l'emplacement du moyeu du ventilateur sur l'arbre du moteur (voir Figure 14, page 19). S'il est difficile à retirer, utiliser un extracteur d'engrenages sur le moyeu du ventilateur.
 - 3.6 Pour le remonter, placer l'ensemble du moteur sur le support du moteur et fixer le protecteur du ventilateur à l'enceinte.
 - 3.7 Engager et serrer simultanément les deux extrémités du conduit 1 dans les boîtiers. Laisser un espace de 1/16 po à 3/16 po (1,6 à 4,8 mm) entre le moteur et le protecteur du ventilateur (voir Figure 15, page 20). Ajuster le conduit 2 pour centrer le ventilateur dans le capot.
 - 3.8 Pour assurer un recouvrement minimal des 5 filetages, les extrémités des conduits à filetage doivent dépasser d'au moins 1/16" (1,6 mm) à l'intérieur des boîtiers. La rainure du conduit 2 ne doit pas se trouver à plus de 7/8 po (22 mm) de l'attelage moteur (voir Figure 14, page 19).
 - 3.9 Visser le moteur à son support. Faire tourner manuellement les pales du ventilateur pour s'assurer que le ventilateur tourne librement.
 - 3.10 L'air doit sortir par les grilles d'aération et le ventilateur doit tourner dans le sens inverse des aiguilles d'une montre lorsqu'il est vu de l'arrière de l'appareil de chauffage (voir Figure 12, page 19).
4. Éléments chauffants
 - 4.1 Les éléments chauffants font partie intégrante du noyau chargé sous vide. Un noyau échangé en usine peut être expédié immédiatement à partir du stock. Se référer à 2. Core, page 18 pour plus de détails.
5. Contacteur
 - 5.1 Desserrer, mais ne pas retirer les vis de montage du contacteur. Faire glisser le contacteur hors des vis de montage.
 - 5.2 Remplacer par un contacteur de même valeur nominale fourni par le constructeur.
6. Transformateur
 - 6.1 Remplacer par un transformateur de même puissance fourni par le constructeur.
 - 6.2 Sur le nouveau transformateur, sélectionner les fils principaux en fonction de la tension de l'appareil de chauffage.
 - 6.3 S'assurer que le bon fil secondaire du transformateur est mis à la terre (voir Figure 9, page 10). Isoler individuellement tous les fils non utilisés à l'aide de connecteurs à extrémité fermée.

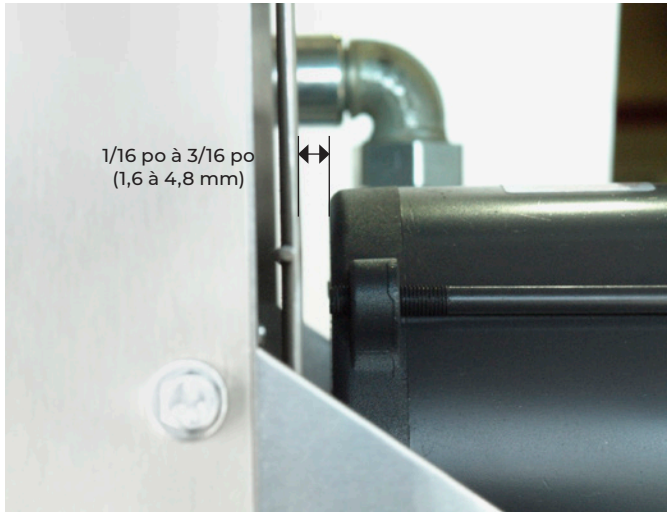


Figure 15

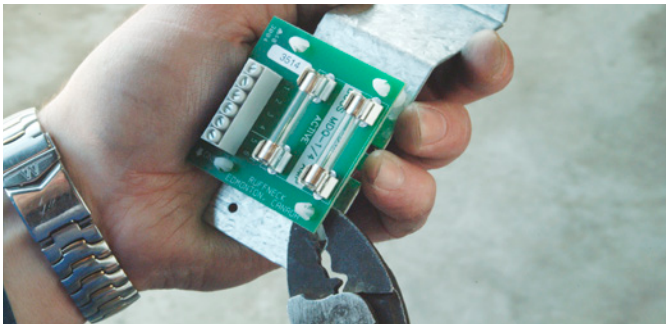
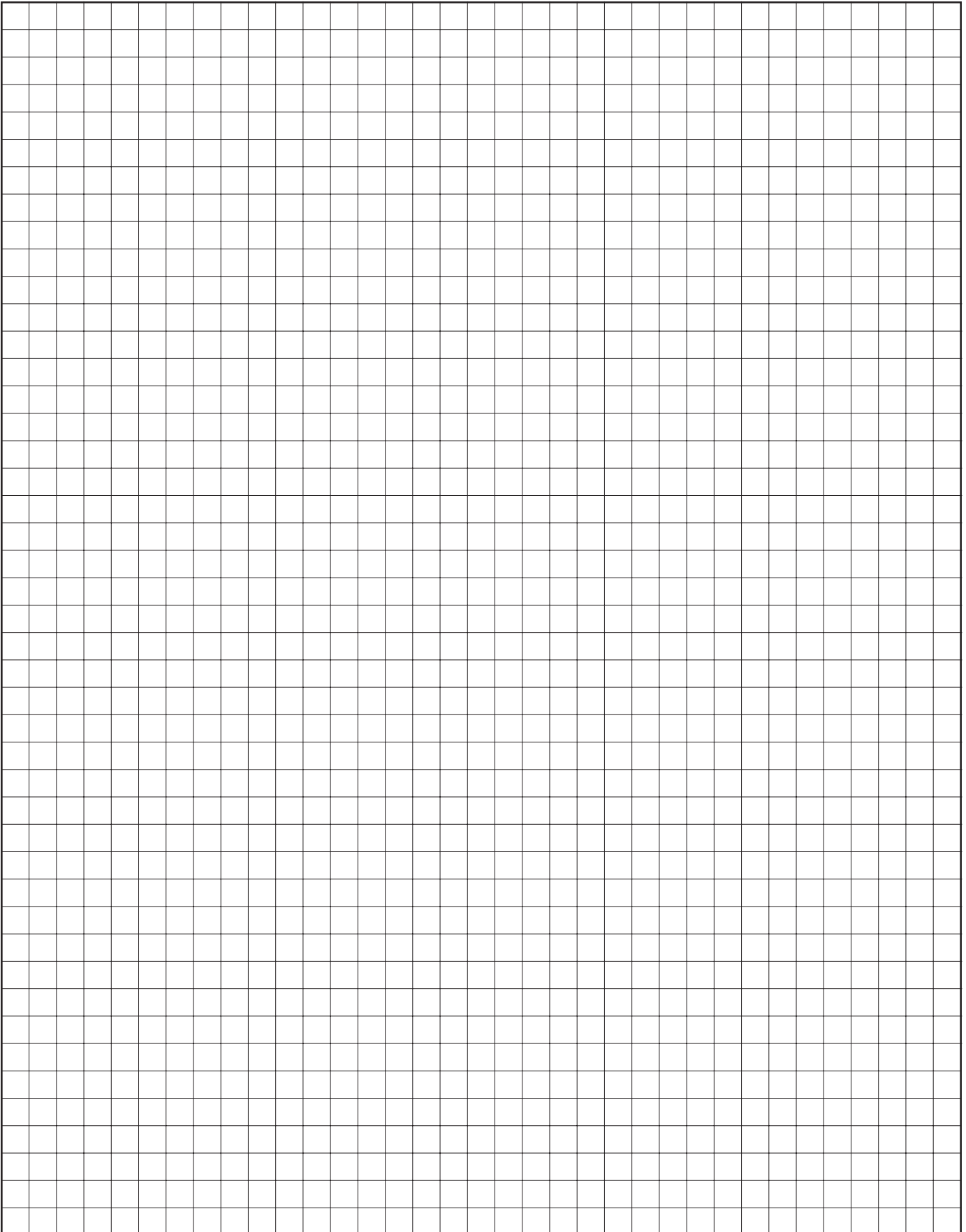


Figure 16

7. Carte de circuit imprimé
 - 7.1 Après avoir retiré le support de la carte de circuit imprimé (CCI) du boîtier de commande, séparer la carte de circuit imprimé du support en coupant les entretoises en plastique (voir Figure 9, page 10).
 - 7.2 Réinstaller la nouvelle CCI fournie par le constructeur sur le support de montage, en utilisant de nouvelles entretoises non conductrices de la même longueur. Les entretoises sont fournies avec une nouvelle CCI. Remettre en place le fil de terre du circuit de commande sur le support de la carte de circuit imprimé (voir Figure 16, page 20).
8. Fusible
 - 8.1 Remplacer le fusible par un fusible de même type et de même calibre que celui indiqué sur la CCI ou consulter la liste de pièces. Un fusible supplémentaire doit être rangé dans les attaches marquées « SPARE » (PIÈCE DE RECHANGE).
9. Panneaux de l'enceinte
 - 9.1 Les panneaux de l'enceinte sont remplaçables individuellement.

NOTES





Ruffneck™

PLEASE ADHERE TO INSTRUCTIONS IN THIS MANUAL

Failure to do so may be dangerous and may void certain provisions of your warranty.

Pour obtenir de l'aide, veuillez composer le numéro sans frais 1 800 661-8529 (États-Unis et Canada).
Veuillez avoir les numéros de modèle et de série à portée de main avant de téléphoner.

GARANTIE : Dans des conditions normales d'utilisation, la société garantit à l'acheteur la réparation ou le remplacement sans frais des défauts de matériaux ou de fabrication pendant une période de 18 mois à compter de la date d'expédition ou de 12 mois à compter de la date de mise en service, le premier délai écoulé étant à appliquer. Toute réclamation au titre de la garantie doit être signalée au point de vente où le produit a été acheté en vue d'une réparation ou d'un remplacement dans le respect des conditions de la présente garantie.

Sous réserve de toute loi étatique ou provinciale contraire, la société ne sera pas responsable des frais d'installation, de mise hors service, de transport ou de dommages de quelque nature que ce soit, y compris les dommages résultant d'un manque d'utilisation, d'une interruption des activités ou de dommages accessoires ou indirects.

La société ne peut anticiper ou contrôler les conditions d'utilisation des produits et décline par conséquent toute responsabilité liée à la sécurité d'application et à l'adéquation de ses produits lorsqu'ils sont utilisés seuls ou associés à d'autres produits. Les essais relatifs à la sécurité d'application et à l'adéquation des produits incombent exclusivement à l'utilisateur.

La présente garantie devient nulle et non avenue si, de l'avis de la société, le dommage, la défaillance ou le défaut est le résultat de :

- Vibrations, radiations, l'érosion, la corrosion, la contamination du processus, de conditions anormales de température et de pression du processus, de surtensions ou pulsations inhabituelles, l'encrassement, l'usure ordinaire, le manque d'entretien, la mauvaise configuration d'éléments tels que la tension, l'air, le gaz, l'eau et autres, ou toute combinaison des causes susmentionnées qui ne sont pas spécifiquement prévues dans les conditions de conception ou,
- Tout acte ou omission de la part de l'acheteur, de ses employés, agents ou entrepreneurs indépendants qui, pour plus de précision, mais sans restreindre la portée générale de ce qui précède, comprend un endommagement physique, chimique ou mécanique, un accident, une installation inadéquate du produit, un

entreposage et une manipulation inadéquats du produit, une application inadéquate ou un mauvais alignement des pièces.

Aucune garantie ne s'applique aux finitions de peinture, sauf pour les défauts de fabrication apparents dans les 30 jours suivant la date d'installation.

La société n'assume ni n'autorise personne à assumer pour elle toute autre obligation ou responsabilité en rapport avec le(s) produit(s).

L'acheteur convient que tous les travaux de garantie requis après la mise en service initiale du produit seront fournis uniquement si la société a été payée par l'acheteur conformément aux conditions générales du contrat.

L'acheteur comprend que la société ne donne aucune garantie, expresse, implicite ou statutaire (y compris toute garantie de qualité marchande ou d'adéquation à un usage particulier), écrite ou orale, relative à l'article ou aux travaux accessoires, exception faite de ce qui est expressément prévu ou contenu dans le présent contrat.

RESPONSABILITÉ : Les données techniques contenues dans le catalogue ou sur le site Internet sont modifiables sans préavis. La société se réserve le droit de modifier les dimensions et d'autres aspects de la conception le cas échéant. L'acheteur reconnaît que la société n'est pas tenue de modifier les articles fabriqués antérieurement aux modifications de conception ou aux améliorations apportées aux produits par la société.

La société ne sera pas tenue de compenser ou d'indemniser l'acheteur, l'utilisateur final ou toute autre partie contre les actions, réclamations, responsabilités, blessures, pertes, pertes d'utilisation, pertes commerciales, dommages, dommages indirects ou consécutifs, demandes, pénalités, amendes, dépenses (y compris les frais juridiques), coûts, obligations et causes d'action de toute nature résultant entièrement ou partiellement d'une négligence ou d'une omission de l'utilisateur ou d'une mauvaise utilisation, d'une application incorrecte ou dangereuse, d'un entreposage et d'une manipulation inadéquats, d'une installation incorrecte, d'un manque d'entretien, du mauvais entretien ou d'une utilisation inappropriée des produits fournis par la société.

Visitez www.thermon.com pour contacter un représentant Thermon près de chez vous.

HEAD OFFICE: 7171 SOUTHWEST PKWY | BUILDING 300 SUITE 200 | AUSTIN, TX | 78735 | UNITED STATES
RUFFNECK: 5918 ROPER ROAD | EDMONTON, AB | T6B-3E1 | CANADA