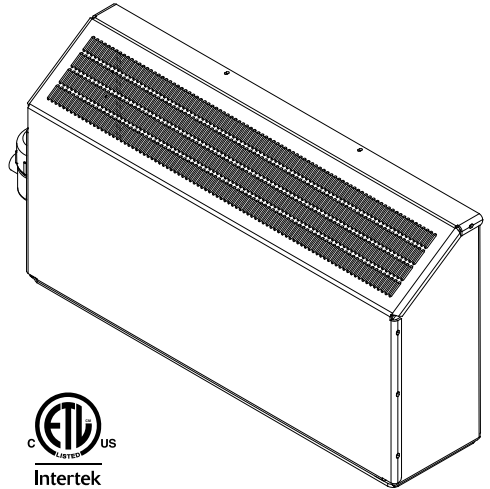




MADE IN THE U.S.A.

FEP SERIES HAZARDOUS LOCATION WALL CONVECTOR

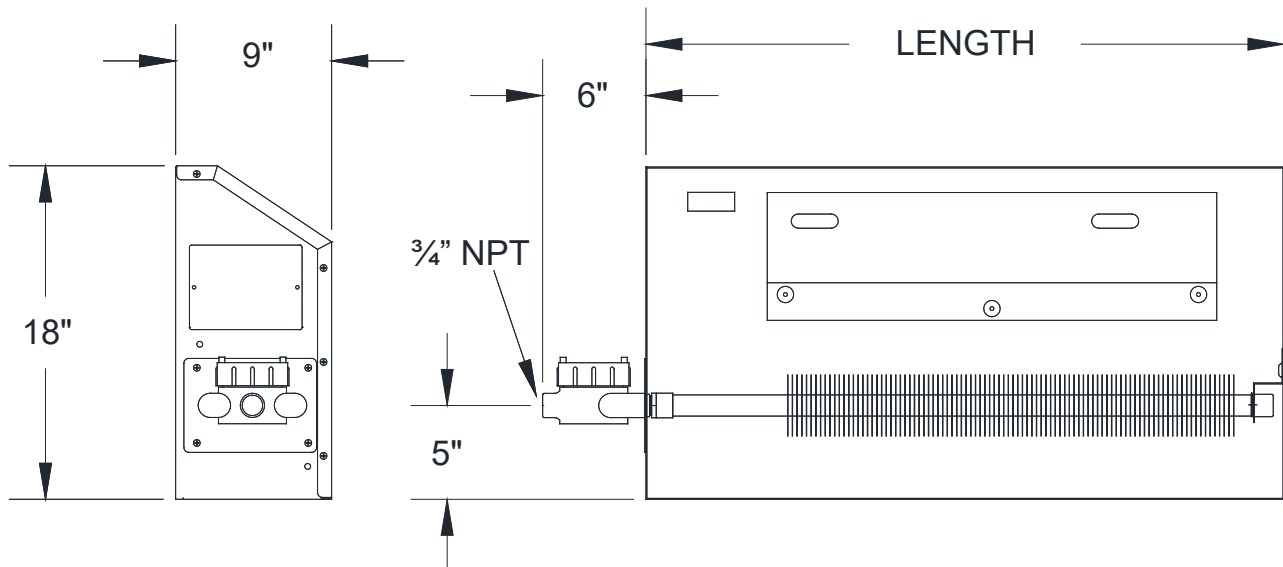


CUSTOMER		DATE:	
PROJECT			
LOCATION			
ARCHITECT			
ENGINEER			
CONTRACTOR			
SUBMITTED BY			
APPROVED BY			
APPROVED BY			

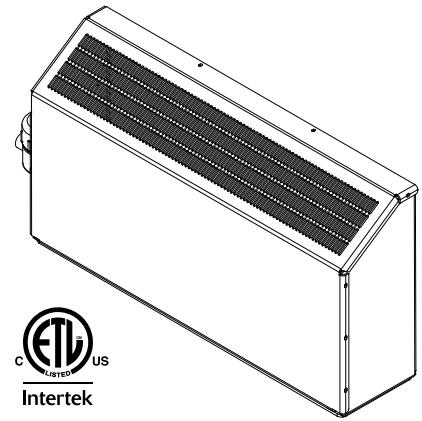
SUBMITTAL DATA SHEET

QTY	TAG	MODEL	WATTAGE	VOLTS	PHASE	AMPS	DISCONNECT	THERMOSTAT	BRACKET	OPTIONS

NOTES/SPECIAL INSTRUCTIONS:



- Bottom in - top out airflow
- Wall mounting bracket supplied
- Heavy duty 16 gauge steel with gray epoxy textured powder coat finish
- Stainless steel cartridge element inserted into aluminum finned copper sheath
- Standard unit NEMA 4 rated



Single Phase Models

T-2A SERIES SINGLE PHASE Class 1, Group B, C & D Division 1 & 2 280° C / 536° F							
MFG CATALOG NUMBER	MFG MODEL NUMBER	WATTS	BTUs	VOLTS	AMPS	CABINET LENGTH	WT. (LBS.)
04451402	FEP-1812-1RA	1800	6143	120	15.0	34"	50
04451502	FEP-1820-1RA			208	8.7		
04451602	FEP-1824-1RA			240	7.5		
04451702	FEP-1827-1RA			277	6.5		
04451802	FEP-1848-1RA			480	3.8		
04451902	FEP-3620-1RA	3600	12286	208	17.3	34"	54
04452002	FEP-3624-1RA			240	15.0		
04452102	FEP-3627-1RA			277	13.0		
04452202	FEP-3648-1RA			480	7.5		
04452302	FEP-3657-1RA			600	6.0		
04452402	FEP-3820-1RA	3800	12969	208	18.3	58"	80
04452502	FEP-3824-1RA			240	15.8		
04452602	FEP-3827-1RA			277	13.7		
04452702	FEP-3848-1RA			480	7.9		
04452802*	FEP-7620-1RA			208	36.5		
04452902*	FEP-7624-1RA	7600	25938	240	31.7	58"	85
04453002*	FEP-7627-1RA			277	27.4		
04453102	FEP-7648-1RA			480	15.8		
04453202	FEP-7657-1RA			600	12.7		

T-3A SERIES SINGLE PHASE Class 1, Group B, C & D Division 1 & 2 180° C / 356° F							
MFG CATALOG NUMBER	MFG MODEL NUMBER	WATTS	BTUs	VOLTS	AMPS	CABINET LENGTH	WT. (LBS.)
04453302	FEP-0812-1RA	800	2730	120	6.7	34"	50
04453402	FEP-0820-1RA			208	3.8		
04453502	FEP-0824-1RA			240	3.3		
04453602	FEP-0827-1RA			277	2.9		
04453702	FEP-0848-1RA			480	1.7		
04453802	FEP-1612-1RA	1600	5460	120	13.3	34"	54
04453902	FEP-1620-1RA			208	7.7		
04454002	FEP-1624-1RA			240	6.7		
04454102	FEP-1627-1RA			277	5.8		
04454202	FEP-1648-1RA			480	3.3		
04454302	FEP-1657-1RA	1700	5802	600	2.7	58"	80
04454402	FEP-1712-1RA			120	14.2		
04454502	FEP-1720-1RA			208	8.2		
04454602	FEP-1724-1RA			240	7.1		
04454702	FEP-1727-1RA			277	6.1		
04454802	FEP-1748-1RA	3400	11604	480	3.5	58"	85
04454902	FEP-3420-1RA			208	16.3		
04455002	FEP-3424-1RA			240	14.2		
04455102	FEP-3427-1RA			277	12.3		
04455202	FEP-3448-1RA			480	7.1		
04455302	FEP-3457-1RA	600	5.7				

Factory Installed Control Options

SUFFIX*	DESCRIPTION
T1	EPETD8S single pole thermostat factory mounted to 120V - 277V units. (50°F - 90°F)
T2	EPETD8D double pole thermostat factory mounted to 120V - 277V units. (50°F - 90°F)

*Remove - RA suffix and add new suffix. Suffix "T" is 22 Amps maximum.

Note: All EPET / T1 / T2 optional thermostats manufactured with anti-static plastic

Three Phase Models

T-2A SERIES THREE PHASE Class 1, Group B, C, & D Divisions 1 & 2 280° C / 536° F							
MFG CATALOG NUMBER	MFG MODEL NUMBER	WATTS	BTUs	VOLTS	AMPS	CABINET LENGTH	WT. (LBS.)
04830502	FEP-1820-3RA	1800	6143	208	5.0	34"	50
04830602	FEP-1824-3RA			240	4.3		
04862202	FEP-1848-3RA			480	2.2		
04830702	FEP-3620-3RA	3600	12286	208	10.0	34"	54
04830802	FEP-3624-3RA			240	8.7		
04862302	FEP-3648-3RA			480	4.3		
04830902	FEP-3820-3RA	3800	12969	208	10.5	58"	80
04831002	FEP-3824-3RA			240	9.1		
04862402	FEP-3848-3RA			480	4.6		
04831102	FEP-7620-3RA	7600	25938	208	21.1	58"	85
04831202	FEP-7624-3RA			240	18.3		
04862502	FEP-7648-3RA			480	9.2		

T-3A SERIES THREE PHASE Class 1, Group B, C & D Division 1 & 2 180° C / 356° F							
MFG CATALOG NUMBER	MFG MODEL NUMBER	WATTS	BTUs	VOLTS	AMPS	CABINET LENGTH	WT. (LBS.)
04831302	FEP-0820-3RA	800	2730	208	2.2	34"	50
04831402	FEP-0824-3RA			240	1.9		
04862602	FEP-0848-3RA			480	0.9		
04831502	FEP-1620-3RA	1600	5460	208	4.4	34"	54
04831602	FEP-1624-3RA			240	3.8		
04862702	FEP-1648-3RA			480	1.9		
04831702	FEP-1720-3RA	1700	5802	208	4.7	58"	80
04831802	FEP-1724-3RA			240	4.1		
04862802	FEP-1748-3RA			480	2.0		
04831902	FEP-3420-3RA	3400	11604	208	9.4	58"	85
04832002	FEP-3424-3RA			240	8.2		
04862902	FEP-3448-3RA			480	4.1		

Factory Installed Control Options

SUFFIX**	DESCRIPTION
C1-TD	Control section with transformer, 24V contactor, SP thermostat (40°F - 100°F) and disconnect switch (all units)
C1-TDP	Control section with transformer, 24V contactor, SP thermostat (40°F - 100°F), disconnect switch & pilot light (all units)

**Remove - RA suffix and add new suffix (Not NEMA washdown rated or rated for Group B atmospheres)

Note: C1-TD and C1-TDP are only options available for 3 phase units.