

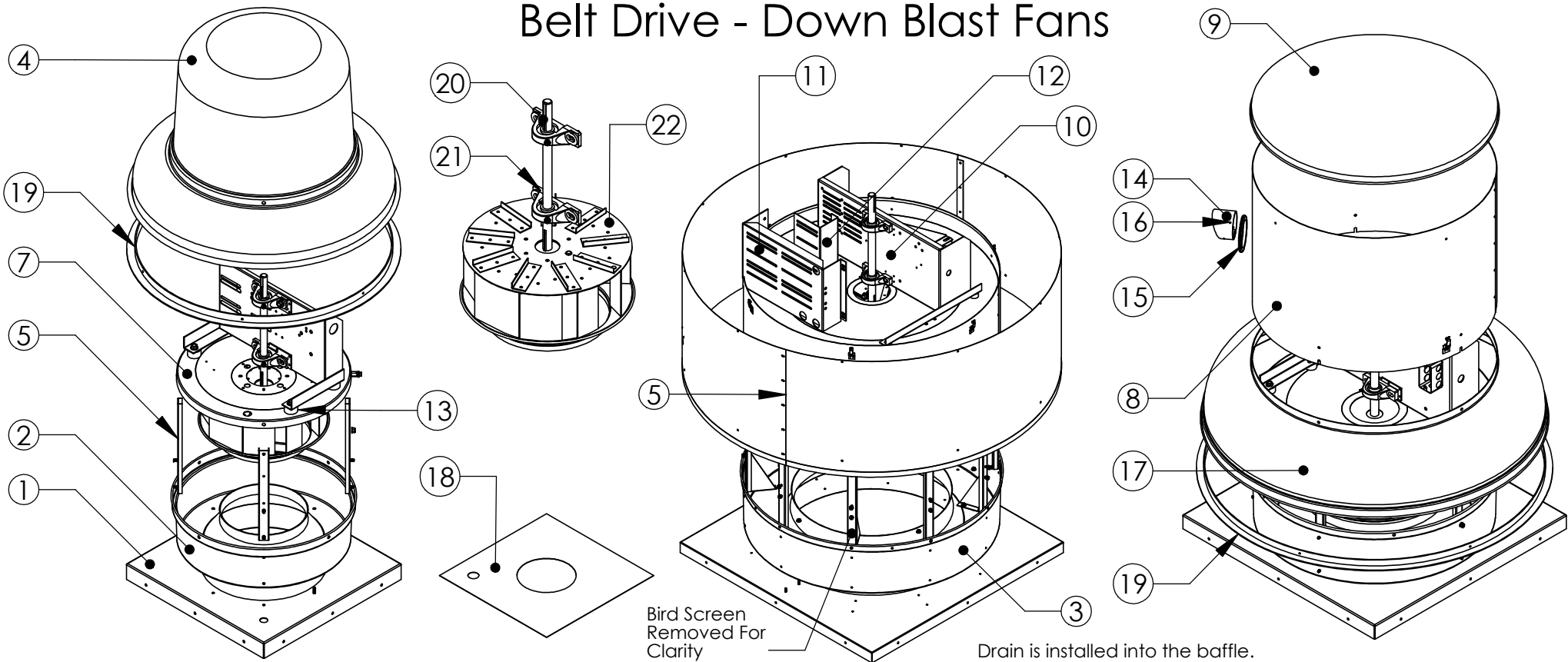
EXPLODED

VIEWS

DOWNBLAST

12/02/2015

Belt Drive - Down Blast Fans

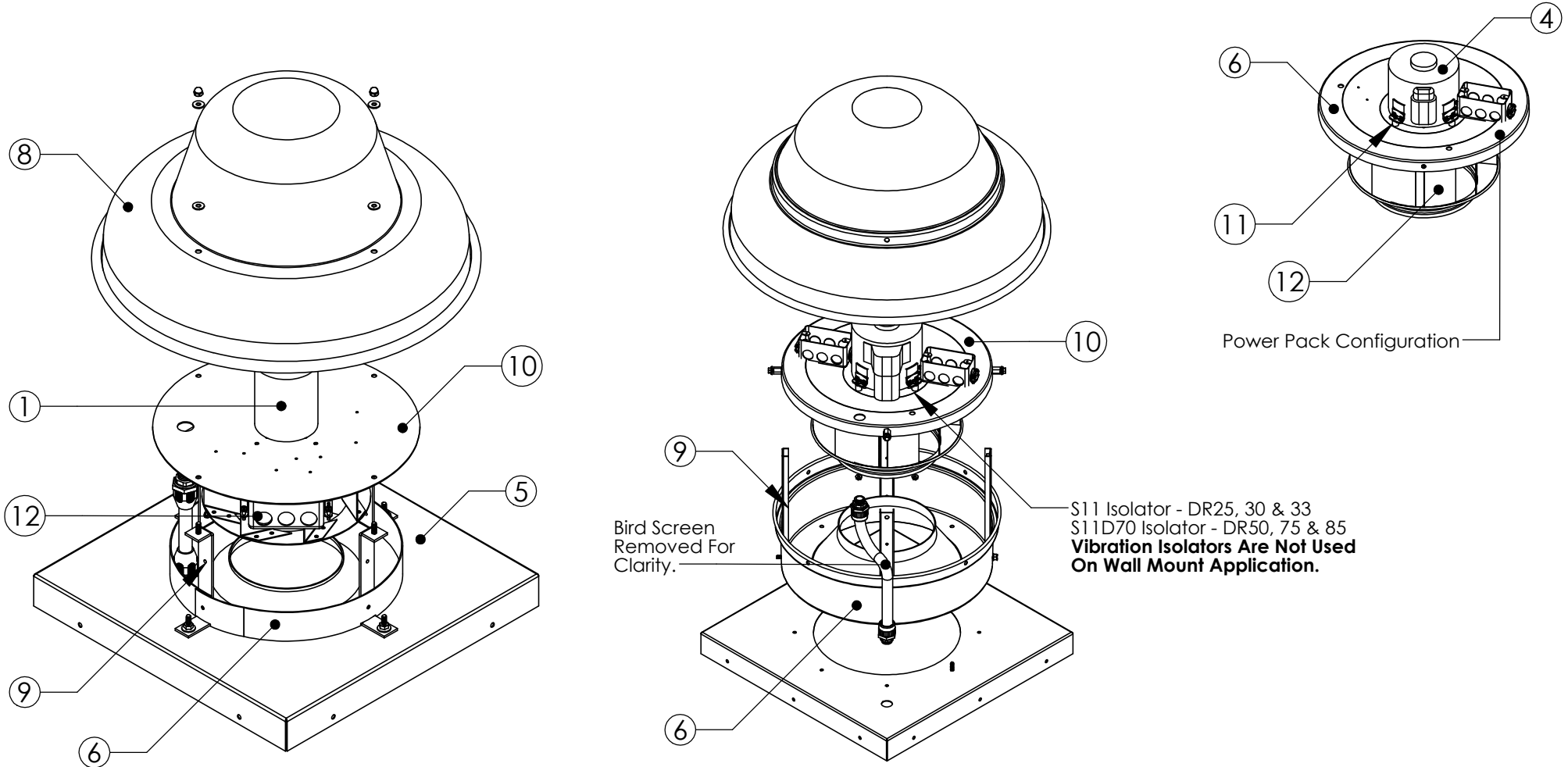


The adapter plates and supports are used on standard applications and motors where larger motors require them per the BOM.

Belt Drive - Down Blast Fan - Part Information.

Item #	Description Of Parts	7, 8, 9 & 11	#	13	#	15	#	18	#	20	#	24	#	30	#	36	#
1	Base Assembly	F8040011-S	1	F8040013-S	1	F8040015-S	1	F8040018-S	1	F8040020-S	1	F8040024-S	1	F8040030	1	F8040036	1
2	Baffle	F5020011	1	F5020013	1	F5020015	1	F5020018	1	F5020020	1	F5020024	1	F5020030	1	F5020036	1
3	Drain	F2100016	1	F2100017	1	F2100016	1	F2100016	1	F2100016	1	F2100016	1	F2100017	1	F2100017	1
4	Hood Apron	F5210011	1	F5210013	1	F5210015	1										
5	Vertical Brace Assembly	F8030011-P	4	F8030013-P	4	F8030015-P	4	F8030018-P	5	F8030018-P	5	F8030024-P	5	F8030030-P	10	F8030036-M	10
6	Vertical Brace Gusset Support																
7	Top Plate	F5040011-S	1	F5040013-S	1	F5040015-S	1	F5040018-S	1	F5040018-S	1	F5040024-S	1	F5040030	1	F5040036	1
8	Shaft Wrapper			N/A				F2050018-S	1	F2050018-S	1	F2050024-S	1	F2050030-S	1	F2050036-S	1
9	Pan Hood / Motor Cover			N/A				F5150018-S	1	F5150018-S	1	F5150024-S	1	F5150030-S	1	F5150036-S	1
10	Motor Plate Weldment	F8020011	1	F8020013	1	F8020015	1	F8020018	1	F8020018	1	F8020024	1	F8020030	1	F8020036	1
11	Motor Plate Adapter	N/A		F2100008	1	F2100008	1	F2100018	1	F2100018	1	F2100007	1	F2100007	1	F2100036	1
12	Adapter Support											F2100007S	1	F2100007S	1	F2100007S	1
13	Vibration Isolator	800113-D40	4	800113-D40	4	800113-D40	4	800113-D40	4	800113-D40	4	800113	7	800113	7	800113	9
14	Cooling Tube			N/A				F214BDCR	1	F214BDCR	1	F214BDCR	1	F214BDCR	1	F214BDCR	1
15	Cooling Tube Grommet			N/A				F2100001	1	F2100001	1	F2100001	1	F2100001	1	F2100001	1
16	Cotter Pin - Cooling Tube			N/A				800103	2	800103	2	800103	2	800103	2	800103	2
17	Bottom Skirt			N/A				F5170020	1	F5170020	1	F5170024	1	F5170030	1	F5170036	1
18	Cut Off Plate	F21000010 = 7 F21000011 = 8 F21000012 = 9	1														
19	Angle Ring (Miami Dade Option Only)	F237DB11	1	F237DB13	1	F237DB15	1	F2370020	1	F2370020	1	F2370024	1	F2370030	1	F2370036	1
20a	Standard Wheel Shaft	F2180011	1	F2180013	1	F2180015	1	F21800181	1	F21800181	1	F2180024	1	F2180030	1	F2180036	1
20b	HP Wheel Shaft	F2180013	1	F2180015	1	F2180016	1	F21800191	1	F21800191	1	F2180025	1	F2180031	1	F2180037	1
21	Bearings	UCP204-12-AH-SP4	2	UCP204-12-AH-SP4	2	UCP204-12-AH-SP4	2	UCP205-16-AH-SP4	2	UCP205-16-AH-SP4	2	UCP205-16-AH-SP4	2	UCP206-19-AH-SP5	2	UCP206-19-AH-SP5	2
22a	Standard Wheel Assembly	F8010011	1	F8010013	1	F8010015	1	F8010018	1	F8010020	1	F8010024	1	F8010030	1	F8010036	1
22b	HP Wheel Assembly	F8010012	1	F8010014BDHP	1	F8010016	1	F8010019	1	F8010021	1	F8010025	1	F8010031	1	F8010037	1
23	Bird Screen	F2361425	1	F2360013	1	F2361475	1	SCR-18	1	SCR-18	1	SCR-24	1	SCR-30	1	SCR-36	1

Direct Drive - Down Blast Fans



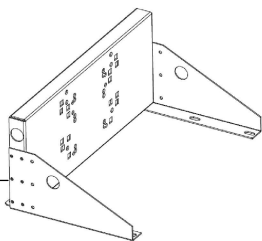
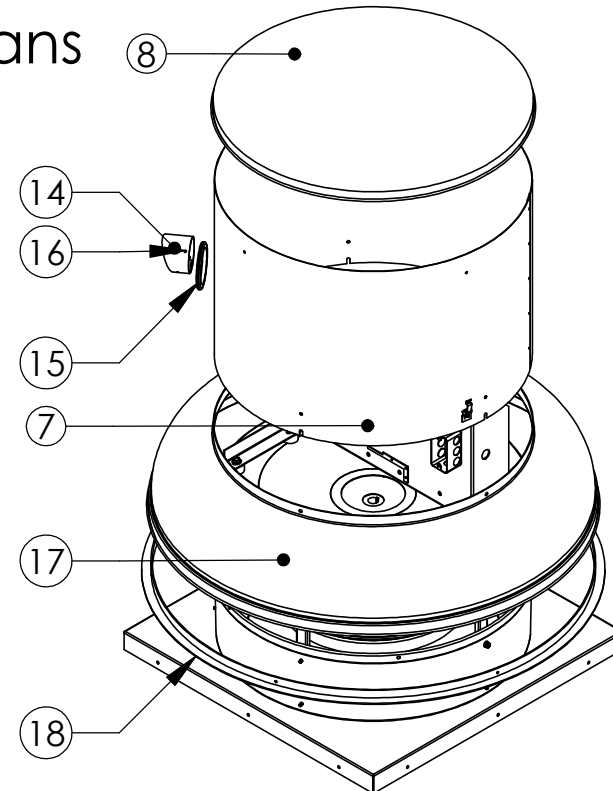
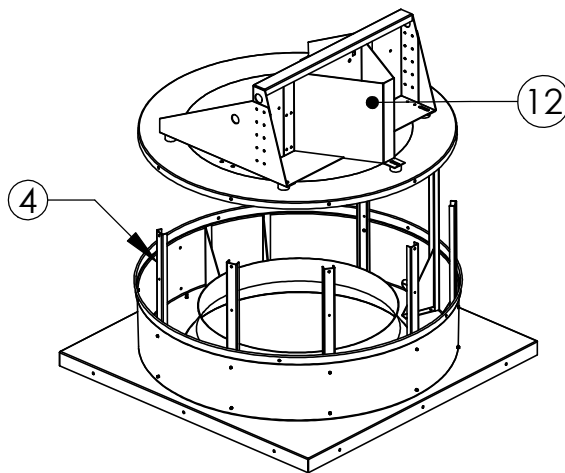
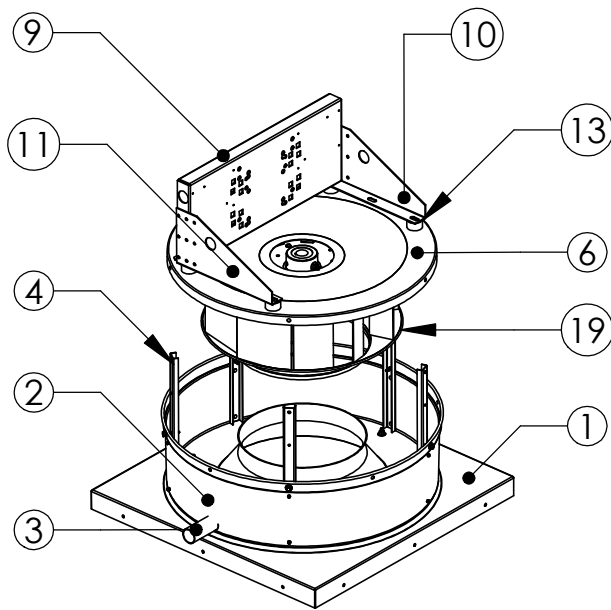
Direct Drive - Motor - Part Information.

Item #	Description Of Parts	DR10	#	DR12	#	DR25	#	DR30	#	DR33	#	DR50	#	DR75	#	DR85	#
1	Motor Single Phase	8550	1	8550A	1	6312R	1	6245R	1	6310R	1	6311R	1	6241R	1	6251R2	1
2	Speed Control	KBWC-16K	1	KBWC-16K	1	KBWC-16K	1	KBWC-16K	1	KBWC-16K	1	KBWC-110K	1	KBWC-115K	1	KBWC-115K	1
3	Wire Harness	810040E	1	810040E	1	810040D	1	810040D	1	810040D	1	810040D	1	810040D	1	810040D	1
4	Motor Three Phase (VFD Only)	N/A														6319R	1

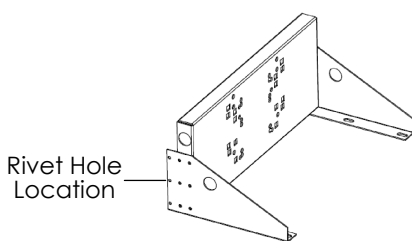
Direct Drive - Down Blast Fan - Part Information.

Item #	Description Of Parts	DR10	#	DR12	#	DR25	#	DR30	#	DR33	#	DR50	#	DR75	#	DR85	#
5	Base Assembly	F8041508-S	1	F8041516-S	1	F8040011-S	1	F8040011-S	1	F8040011-S	1	F8040013-S	1	F8040015-S	1	F8040015-S	1
6	Baffle	F2021508	1	F5021416	1	F5020011	1	F5020011	1	F5020011	1	F5020013	1	F5020015	1	F5020015	1
7	Drain	N/A		N/A		F2100016	1	F2100016	1	F2100016	1	F2100017	1	F2100016	1	F2100016	1
8	Hood Apron	F5211408	1	F5211416	1	F5211425	1	F5211425	1	F5211425	1	F5211450	1	F5211475	1	F5211475	1
9	Vertical Brace Assembly	F8031508-S	4	F8031516-S	4	F8030011-P	4	F8030011-P	4	F8030011-P	4	F8030013-P	4	F8030015-P	4	F8030015-P	4
10	Top Plate	F2041508-S	1	F5041516-S	1	F5040011-S	1	F5040011-S	1	F5040011-S	1	F5040013-S	1	F5040015-S	1	F5040015-S	1
11	Vibration Isolator	N/A		N/A		S11	4	S11	4	S11	4	S11D70	4	S11D70	4	S11D70	4
12	Standard Wheel Assembly	F8011508	1	F8011516	1	F8010010	1	F8010010	1	F8010010	1	F8010014	1	F8010017	1	F8010017	1
13	Bird Screen	F2361508	1	F2361516	1	F2361425	1	F2361425	1	F2361425	1	F2360013	1	F2361475	1	F2361475	1

Direct Drive - Down Blast Fans



Configuration A



Configuration B

DR180-200 Motor Configuration

Motor Frame Size	Wheel Part Number (180)	Wheel Part Number (200)	Motor Plate Configuration
56	F8010018DUDR-SF	F8010020DUDR-SF	B
145T	F8010018DUDR-SF	F8010020DUDR-SF	B
182T	F8010018DUDR	F8010020CASREDD	A

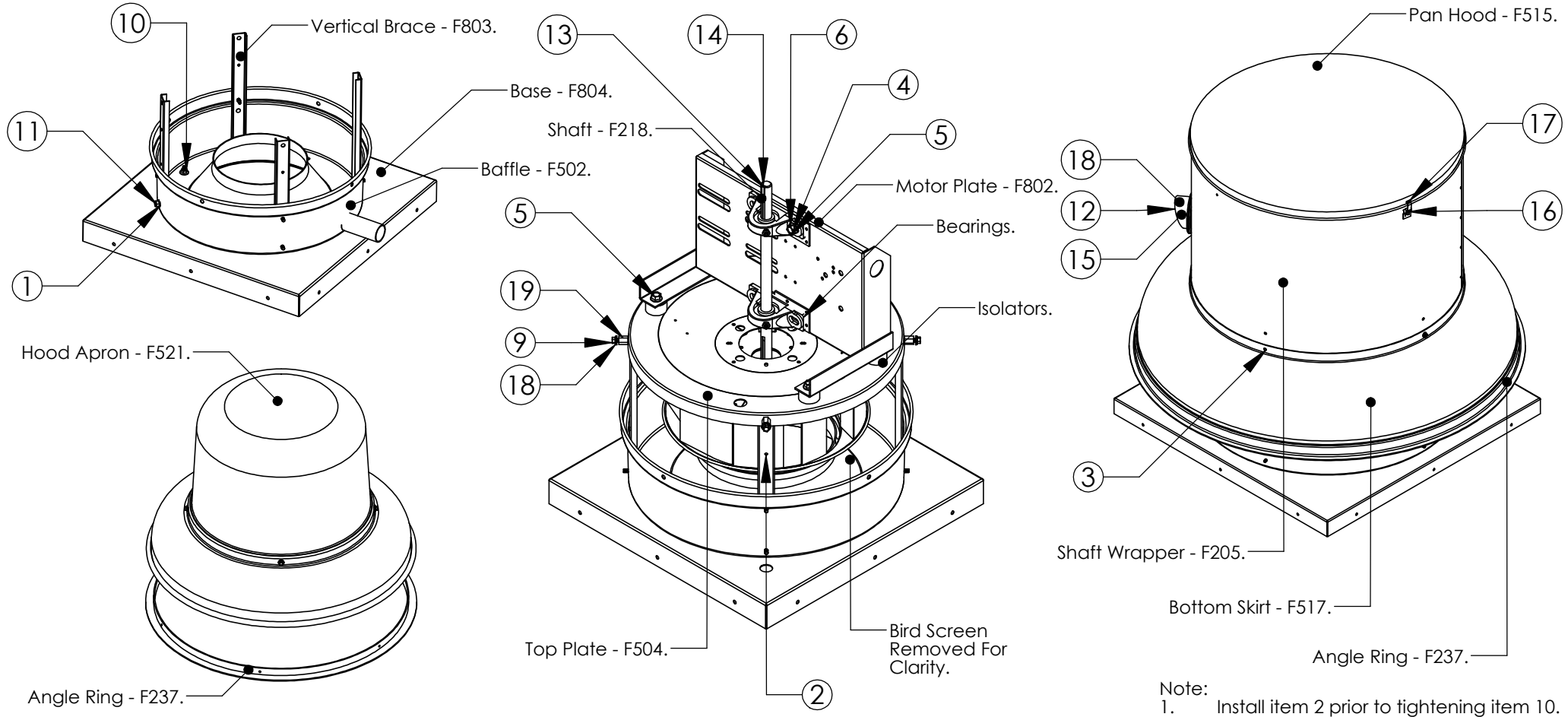
The adapter plates and supports are used on standard applications and motors where larger motors require them per the BOM.

* Used with Smaller Framed Motors

Direct Drive - Down Blast Fan - Part Information.

Item #	Description Of Parts	DR180	#	DR200	#	DR240	#	DR300	#	DR360	#
1	Base Assembly	F8040018-S	1	F8040020-S	1	F8040024-S	1	F8040030	1	F8040036	1
2	Baffle	F5020018	1	F5020020	1	F5020024	1	F5020030	1	F5020036	1
3	Drain	F2100016	1	F2100016	1	F2100016	1	F2100017	1	F2100017	1
4	Vertical Brace Assembly	F8030018-P	5	F8030018-P	5	F8030024-P	5	F8030030-P	10	F8030036-M	10
5	Vertical Brace Gusset Support	N/A									
6	Top Plate	F5040018-S	1	F5040018-S	1	F5040024-S	1	F5040030	1	F5040036	1
7	Shaft Wrapper	F2050018-S	1	F2050018-S	1	F2050024-S	1	F2050030-S	1	F2050036-S	1
8	Pan Hood / Motor Cover	F5150018-S	1	F5150018-S	1	F5150024-S	1	F5150030-S	1	F5150036-S	1
9	Motor Plate	F2090018DD	1	F2090020DD	1	F2090024DD	1	F2090036DD	1	F2090036DD	1
10	Motor Plate Angle Right	F2080018DDR	1	F2080018DDR	1	F2080024DDR	1	F2080036DDR	1	F2080036DDR	1
11	Motor Plate Angle Left	F2080018DDL	1	F2080018DDL	1	F2080024DDL	1	F2080036DDL	1	F2080036DDL	1
12	Motor Plate Support	N/A				F2090024DSDUP	1	F2090036DSDUP	1	F2090036DSDUP	1
13	Vibration Isolator	800113-D40	4	800113-D40	4	800113	7	800113	7	800113	7
14	Cooling Tube	F214BDCR	1	F214BDCR	1	F214BDCR	1	F214BDCR	1	F214BDCR	1
15	Cooling Tube Grommet	F2100001	1	F2100001	1	F2100001	1	F2100001	1	F2100001	1
16	Cotter Pin - Cooling Tube	800103	2	800103	2	800103	2	800103	2	800103	2
17	Bottom Skirt	F5170020	1	F5170020	1	F5170024	1	F5170030	1	F5170036	1
18	Angle Ring (Miami Dade Option Only)	F2370020	1	F2370020	1	F2370024	1	F2370030	1	F2370036	1
19	Wheel Assembly	F8010018DUDR-SF* / F8010018DUDR	1	F8010020DUDR-SF* / F8010020CASREDD	1	F8010024DUDR	1	F8010030DUDR	1	F8010036DUDR	1

Belt Drive - Down Blast - Hardware

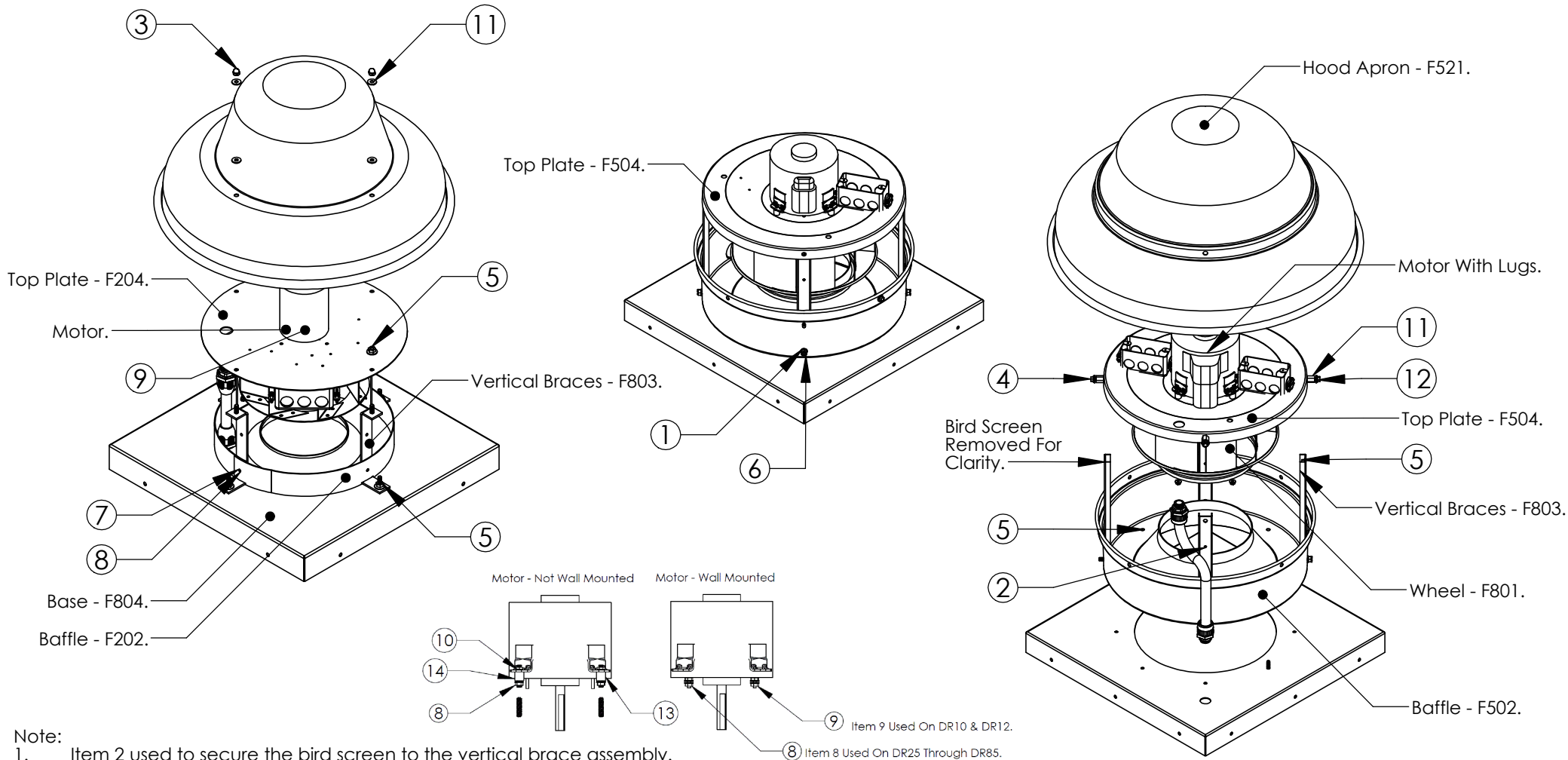


Note:
1. Install item 2 prior to tightening item 10.

Hardware - Down Blast Fan Belt Drive - Part Information.

Item #	Description Of Parts	7, 8, 9 & 11	#	13	#	15	#	18	#	20	#	24	#	30	#	36	#
1	White Nylon Washer	800014	8	800014	8	800014	8	800014	10	800014	10	800014	10	800014	20	800014	20
2	1/4-14 x 1.25 Self Drilling /Rbr Washer			N/A				800023B	10	800023B	15	800023B	20	800023B	30	800023B	30
3	1/4 - 20 x 5/8 Pan Head Whiz Screw			N/A				800026	5	800026	5	800026	5	800026	10	800026	10
4	3/8 - 16 x 1 1/2 Whiz Bolt Grade 5	N/A		800025	4	800025	4	800025	4	800025	4	800025	4	800025	4	800025	4
4	1/2 - 13 x 1 1/2 Whiz Bolt Grade 5							N/A						A0005710	4	A0005710	4
5	3/8 - 16 Whiz Nut	800032	8	800032	12	800032	12	800032	12	800032	12	800032	14	800032	14	800032	18
5	1/2 - 13 Whiz Nut													A0005693	4	A0005693	4
6	3/8 - 16 x 1 3/4 Carriage Bolt	800042	4							N/A							
7	5/16 - 18 x 1 1/2 Whiz Bolt Grade 5	800043	4	800043	4	800043	4	800043	4	800043	4	800043	4	800043	4	800043	4
8	5/16 - 18 Whiz Nut	800033	4	800033	4	800033	4	800033	4	800033	4	800033	4	800033	4	800033	4
9	1/4 - 20 x 1/2 Whiz Bolt	800048	4	800048	4	800048	4					N/A					
10	1/4 - 20 Whiz Nut	800034	12	800034	12	800034	12	800034	15	800034	15	800034	15	800034	21	800034	21
11	1/4 - 20 Nylon Lock Nut	800031	8	800031	8	800031	8	800031	10	800031	10	800031	10	800031	20	800031	20
12	Cotter Pin			N/A				800103	2	800103	2	800103	2	800103	2	800103	2
13	3/16 x 3/16 x 1 1/4 Key	800104	2	800104	2	800104	2					N/A					
14	1/4 x 1/4 x 2 1/4 Key			N/A				800108	2	800108	2	800108	2	800108	2	800108	2
15	Heyco Bushing			N/A				810068	2	810068	2	810068	2	810068	2	810068	2
16	3/16 Rivet			N/A				800070A	14	800070A	14	800070A	14	800070A	15	800070A	15
17	Ludwig A - 17 Hood Clip			N/A				800107	4	800107	4	800107	4	800107	4	800107	6
18	Washer 1/4 ID x 5/8 OD	800011	4	800011	4	800011	4					N/A					
19	1/4 - 20 Hex Head Stand Off	620099	4	620099	4	620099	4					N/A					

Direct Drive - Down Blast - Hardware



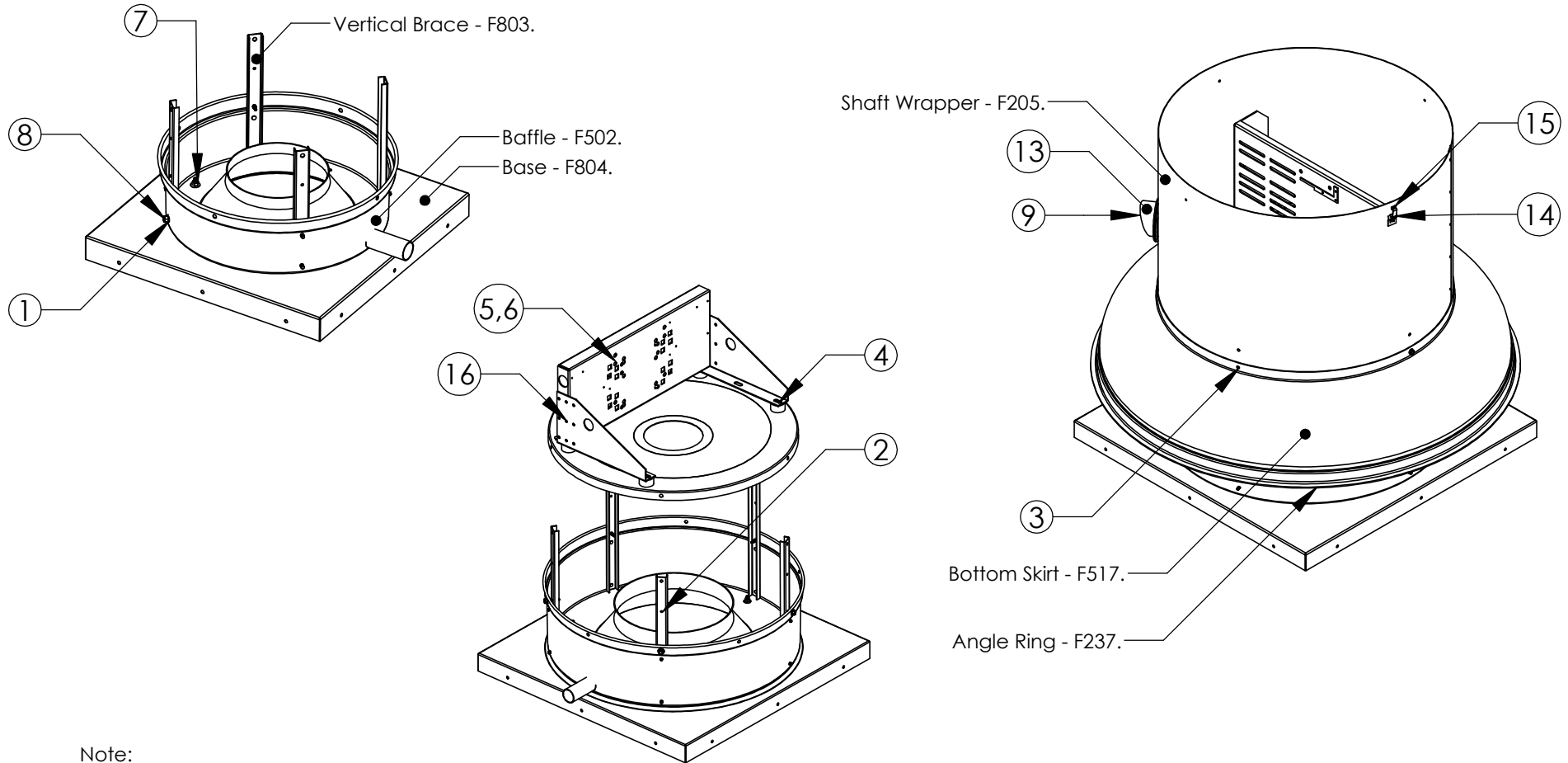
Note:

1. Item 2 used to secure the bird screen to the vertical brace assembly.
2. Motor views, top plates have been removed for Clarity.
3. Item 8 & 9 are installed above and below the top plate.
4. Install item 2 prior to tightening item 5.

Hardware - Down Blast Fan Direct Drive - Part Information.

Item #	Description Of Parts	DR10	#	DR12	#	DR25	#	DR30	#	DR33	#	DR50	#	DR75	#	DR85	#
1	White Nylon Washer		N/A			800014	8	800014	8	800014	8	800014	8	800014	8	800014	8
2	1/4 - 14 x 1.25 Self Drilling / Rubber Washer	800023B	4	800023B	8	800023B	4	800023B	4	800023B	4	800023B	4	800023B	4	800023B	4
3	1/4 - 20 Acorn Nuts	800035	4							N/A							
4	1/4 - 20 x 1/2 Whiz Bolt	N/A		800048	4	800048	4	800048	4	800048	4	800048	4	800048	4	800048	4
5	1/4 - 20 Whiz Nut	800034	8	800034	4	800034	12	800034	12	800034	12	800034	12	800034	12	800034	12
6	1/4 - 20 Nylon Lock Nut		N/A			800031	8	800031	8	800031	8	800031	8	800031	8	800031	8
7	10 - 32 x 1/2 Whiz Bolt Grade 5	800041	8	800041	8	800041	4	800041	4	800041	4	800041	4	800041	4	800041	4
8	10 - 32 Whiz Nut	800030	8	800030	4	800030	8	800030	8	800030	8	800030	8	800030	8	800030	8
9	8 - 32 Whiz Nut	800036	8	800036	8												
10	10 - 32 Lock Nut / Washer		N/A			90675A195	4	90675A195	4	90675A195	4	90675A195	4	90675A195	4	90675A195	4
11	Washer 1/4 ID x 5/8 OD	800011	4	800011	4	800011	8	800011	8	800011	8	800011	8	800011	8	800011	8
12	1/4 - 20 Hex Head Stand Off	N/A		620099	4	620099	4	620099	4	620099	4	620099	4	620099	4	620099	4
13	S11 Isolator		N/A			S11	4	S11	4	S11	4						
14	S11D70 Isolator					N/A						S11D70	4	S11D70	4	S11D70	4

Direct Drive - Down Blast - Hardware



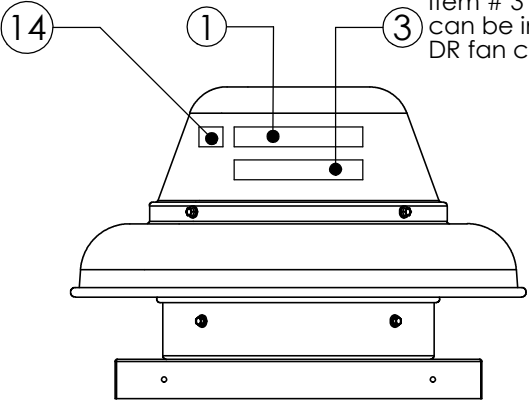
Note:
1. Install item 2 prior to tightening item 7.

* Used on Larger Framed Motors (Only one key per configuration)

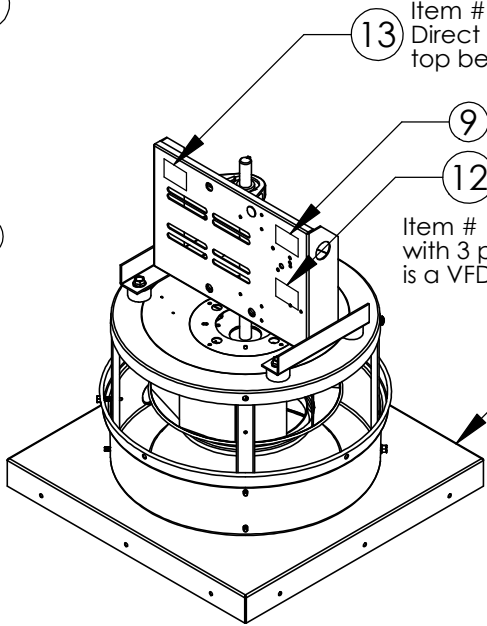
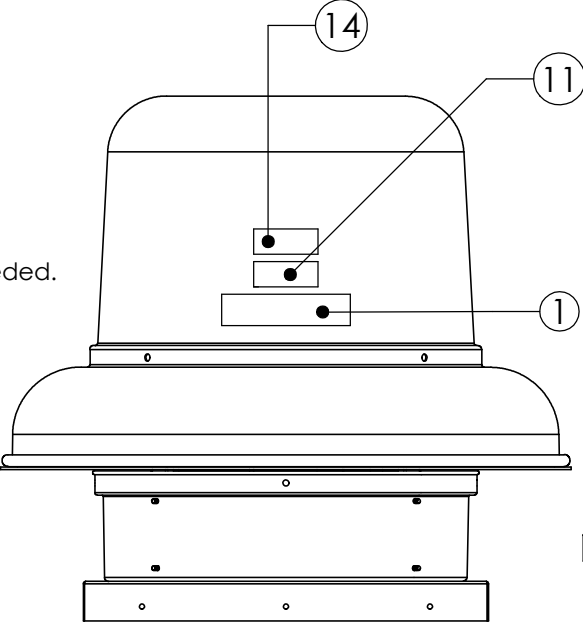
Hardware - Down Blast Fan Direct Drive - Part Information.

Item #	Description Of Parts	DR180	#	DR200	#	DR240	#	DR300	#	DR360	#
1	White Nylon Washer	800014	10	800014	10	800014	10	800014	20	800014	20
2	1/4-14 x 1.25 Self Drilling /Rbr Washer	800023B	10	800023B	15	800023B	20	800023B	30	800023B	30
3	1/4 - 20 x 5/8 Pan Head Whiz Screw	800026	5	800026	5	800026	5	800026	10	800026	10
4	3/8 - 16 Whiz Nut	800032	12	800032	12	800032	14	800032	14	800032	18
4	1/2 - 13 Whiz Nut	N/A						A0005693	5	A0005693	5
5	5/16 - 18 x 1 1/2 Whiz Bolt Grade 5	800043	10	800043	10	800043	10	800043	10	800043	10
6	5/16 - 18 Whiz Nut	800033	10	800033	10	800033	10	800033	10	800033	10
7	10-32 x 1/2 Whiz Bolt Grade 5	800034	15	800034	15	800034	15	800034	21	800034	21
8	1/4 - 20 Nylon Lock Nut	800031	10	800031	10	800031	10	800031	20	800031	20
9	Cotter Pin	800103	2	800103	2	800103	2	800103	2	800103	2
10	3/16 x 3/16 x 1 1/4 Key	800104	1	800104	1	N/A					
11	1/4 x 1/4 x 2 1/4 Key	800108*	1	800108*	1	800108	1	N/A			
12	5/16 x 5/16 x 2" Key	N/A					800114	1	800114	1	
13	Heyco Bushing	810068	2	810068	2	810068	2	810068	2	810068	2
14	3/16 Rivet	800070A	14	800070A	14	800070A	14	800070A	15	800070A	15
15	Ludwig A - 17 Hood Clip	800107	4	800107	4	800107	4	800107	4	800107	6
16	SSPI Rivet	SSPI-08-06-RIVET	12	SSPI-08-06-RIVET	12	SSPI-08-06-RIVET	22	SSPI-08-06-RIVET	32	SSPI-08-06-RIVET	32

Down Blast - Label Locations



Item # 3 - ETL label can be installed on DR fan cover as needed.

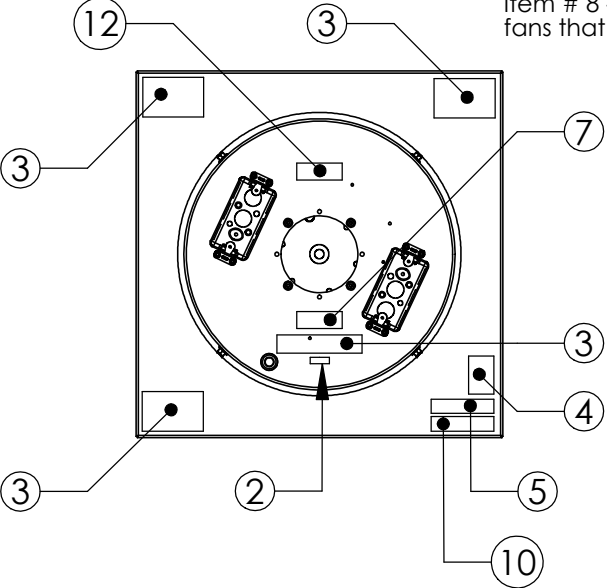


Item # 13 - Not Used On Direct Drive. Installed by top bearings.

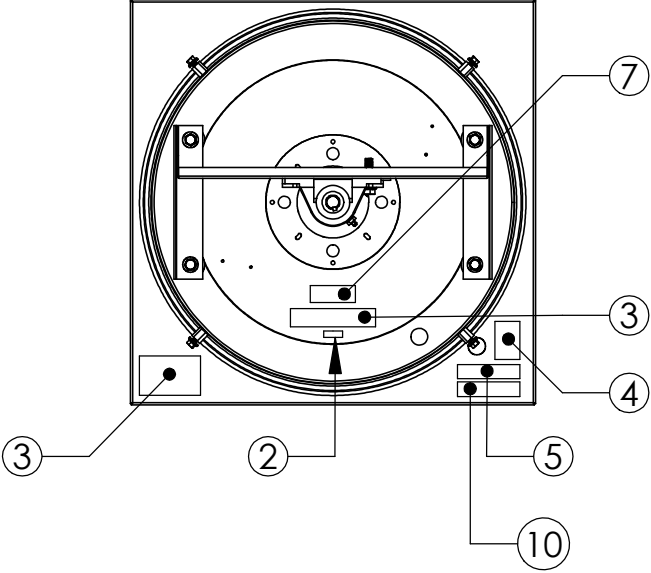
Item # 9 - Not Used On Direct Drive.

Item # 12 - Used on all fans with 3 phase motors, unless there is a VFD mounted in the fan.

Item # 6 - Installed Opposite Side Of Drain.

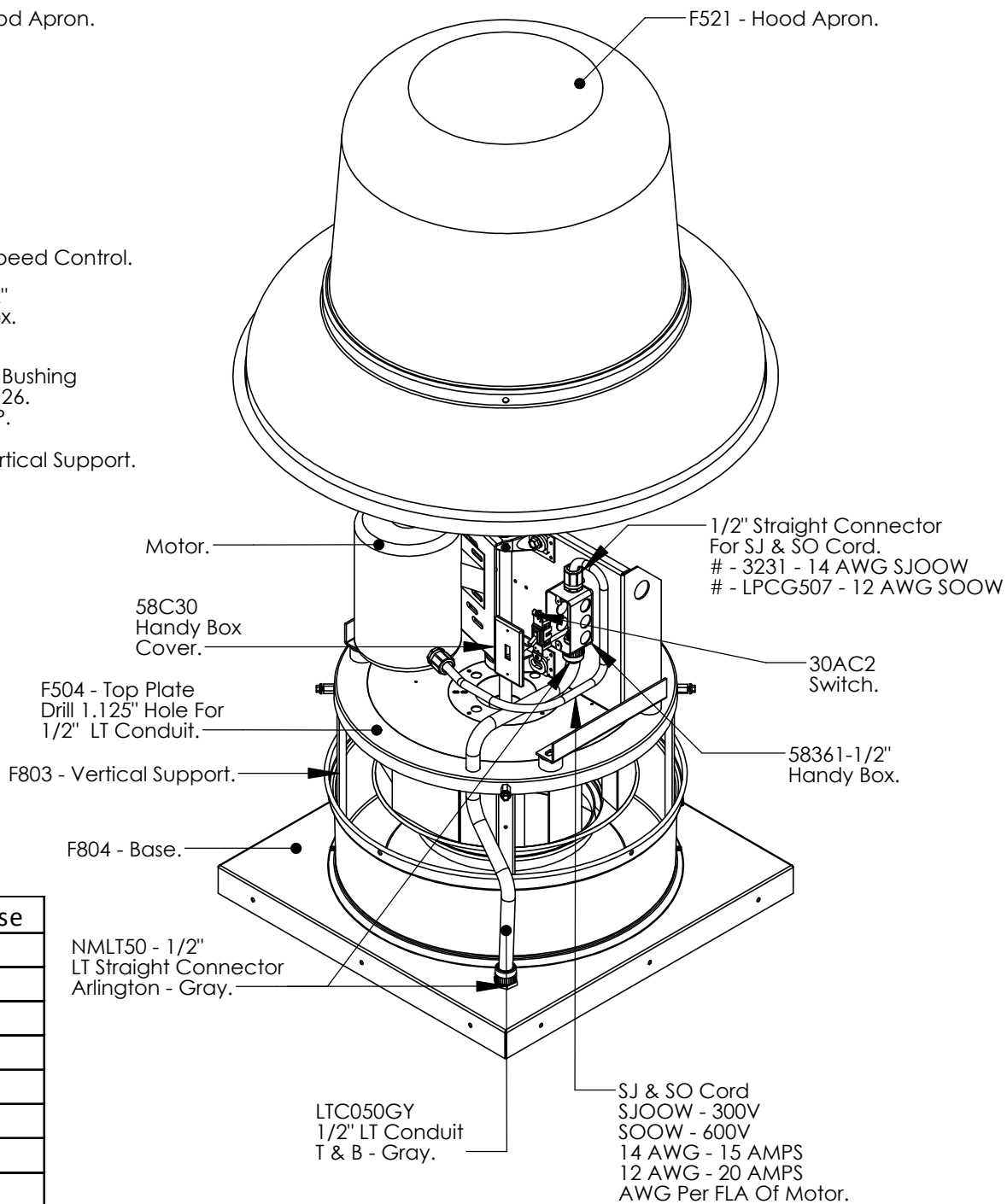
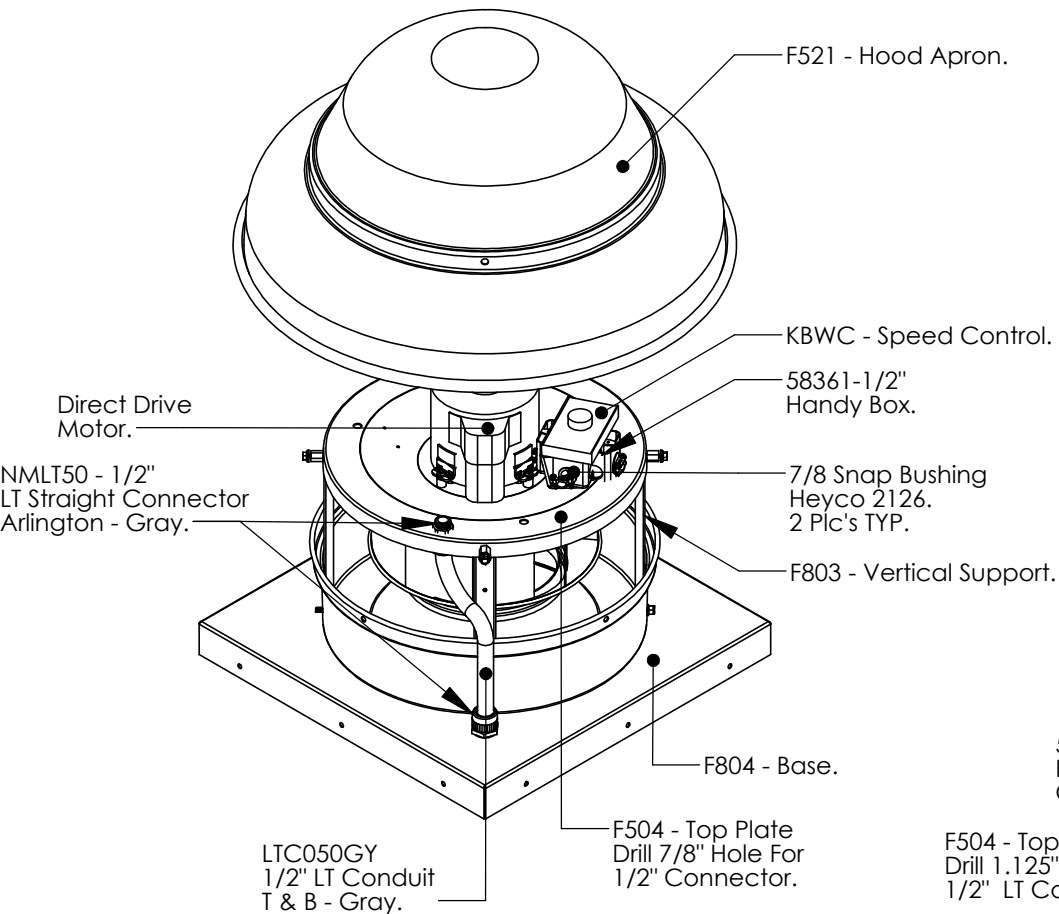


Item # 8 - Not used on fans that rotate CCW.



Labels - Up Blast Fan - Part Information.		
Item #	Description Of Parts	#
1	Name Brand Label	1
2	Voltage & Phase Label	1
3	ETL Label	2
4	AMCA Air & Sound	1
5	QC Passed Label	1
6	Hinge Kit Label	1
7	Rotation Label CCW	1
9	Belt Size Label	1
10	Wall Mount Label	1
11	Loose Items Label	1
12	ATTENTION ! VFD Label	1
13	Bearing Grease Label	1
14	Disconnect Switch Label	1

Direct & Belt Drive - Down Blast - Electrical Components



Speed Control Information.

Fan Size	Speed Control	AMPS	Min Voltage Under Load	Phase
DR 10H	KBWC-16K	6	65 VAC	1
DR 12H	KBWC-16K	6	65 VAC	1
DR25H	KBWC-16K	6	65 VAC	1
DR30H	KBWC-16K	6	65 VAC	1
DR33H	KBWC-16K	6	65 VAC	1
DR50H	KBWC-110K	10	65 VAC	1
DR75H	KBWC-110K	10	65 VAC	1
DR85H	KBWC-115K	15	65 VAC	1