

**ZONE 1**

# EFi50xx/EFi120xx/EFi150xx

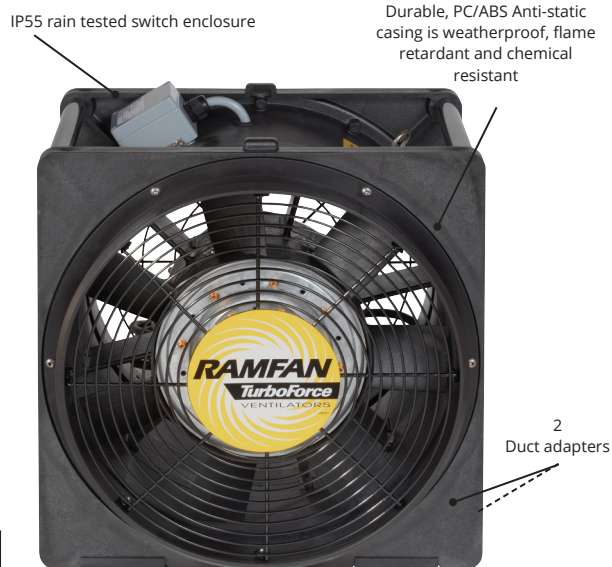
16"/40 cm  
Blower/Exhauster

The electric powered EFixx Series hazardous location blowers/exhausters, with **whole-unit certification**, are intended for use in Adverse Atmospheres in accordance with the limitations of the rating. The whole-unit certification not only provides protection and peace of mind to the user; it also prevents suppliers from being linked to the chain of liability.

The largest hazardous location blowers for highest volume of air movement. Use the EFi50xx (0.5 Hp) when you need a high volume, low velocity, somewhat gentler flow; or the EFi150xx (1.5 Hp) model for higher velocities, increased volumes and reduced purge or cooling times. 16" (40 cm) integrated duct adapters. Stackable in storage or during operation.

## Specifications

Model	EFi50xx (115V/230V)		EFi120xx (110V/240V)		EFi150xx (115V/230V)	
Part #	EA8000XX Ships as 115V	EA8000XX-230 Ships as 230V	EA8120XX-110 Ships as 110V	EA8120XX Ships as 240V	EG8200XX Ships as 115V	EG8200XX-230 Ships as 230V
IMPA Code					591507	
Motor	0.5 hp / 0.37 kW		1.2 hp / 0.9 kW		1.5 hp / 1.1 kW	
Motor Type	Totally Encapsulated Air Flame Proof					
Electric	115/230V, 1ø, 50/60Hz		110/240V, 1ø, 50Hz		115/230V, 1ø, 50/60 Hz	
Amps (Start/Run)	25A / 6A	13A / 3A	54A / 10A	27A / 5A	80A / 15A	40A / 8A
Cable Lengths	30'/9m, 14AWG/2.5mm <sup>2</sup>		25'/7.6m, 14AWG/2.5mm <sup>2</sup>			
Plug Types	Not included		A.T.X. 100/130V	A.T.X. 240V	A.T.X. 100/130V	A.T.X. 240V
Operating Temperature	-22°F to +104°F / -30°C, to +40°C					
Noise	90.2 dB @ 3' (1 m)		86.1 dB @ 3' (1 m)		90.2 dB @ 3' (1 m)	
Weight	49 lbs / 22 kg		55 lbs / 25 kg		61 lbs / 28 kg	
Dimensions (h x w x d)	19 x 18 x 16 in / 48 x 46 x 41 cm					
Impeller	21-Blade		7-Blade			



\* EFi50xx has 21 blades

## Certifications & Approvals

Certification String:  $\text{Ex II 2 G Ex db eb IIB T6 Gb}$

IECEx UL Certificate #: **13.0062X**

EC-Type Examination Certificate #: **DEMKO 09 ATEX 0926969X**

CE Hazardous Location Marking: **CE0539**

Ingress Protection: **IP55**

### EFi150xx Approval

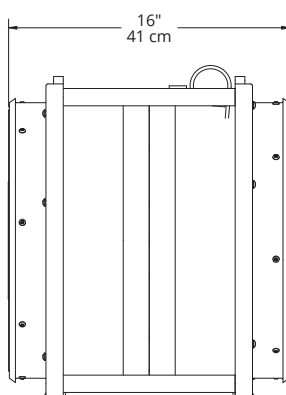
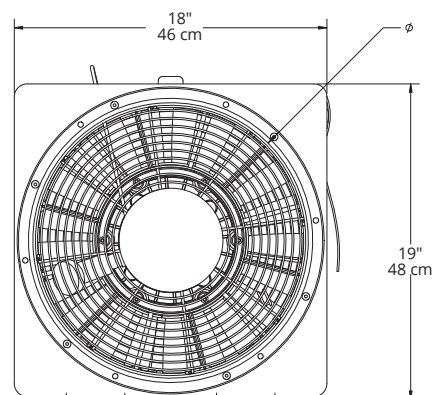
INMETRO Certificate #: **UL-BR 13.0593X**

EFi50xx Motor Approval Class I-II Group D, E, F, G

EFi50xx Motor Part Number 1131007404

## Performance

Airflow	EFi50xx	EFi120xx	EFi150xx
Free Air	3,200 cfm (5,440 m <sup>3</sup> /hr)	3,750 cfm (6,375 m <sup>3</sup> /hr)	4,459 cfm (7,580 m <sup>3</sup> /hr)
Through Duct 15'/4.6 m w/ one 90° turn:	1,935 cfm (3,289 m <sup>3</sup> /hr)	2,700 cfm (4,590 m <sup>3</sup> /hr)	3,179 cfm (5,404 m <sup>3</sup> /hr)



## Available Accessory

### ECKO Flex™ Anti-Static Duct with carrying bag

Order # FDT-1615CBR

16" (40cm) anti-static duct  
15' (4.6 m), w/ carrying bag



Order # FDT-1625CBR

16" (40cm) anti-static duct  
25' (7.6 m), w/ carrying bag

### Silent Guard

Order # EA7108

Reduction of noise: 7db  
decrease in 3ft (1m) and 10 ft  
(3m) setback



This accessory cannot be  
used with duct adapter on  
section side.