

# EFC50x/EFC120x/EFC150x

16"/40 cm

*Versatile Ventilators*

These EFCx Series Smoke Ejectors are built with a high-impact, heat-resistant Lexan® housing and an UL/IECEX/ATEX-certified explosion-proof motor for use in areas where potentially explosive gasses are unlikely to be present; establishing and ensuring a safer work environment.

The Polymer TurboForce™ impeller is engineered to enhance performance as well as maximizing the airflow; allowing the smoke ejection time to reduce dramatically and bringing fresh air into the confined space more effectively.

## Specifications

Model	EFC50x (115V/230V)		EFC120x (230V)	EFC150x (115V/230V)	
Part	EA7000X	EA7000X-230	EA7300X	EG8000X	EG8000X-230
Weight	49 lbs / 22 kg		55 lbs / 25 kg	55 lbs / 25 kg	
Dimensions (h/w/d)	19 x 18 x 12 in 48 x 46 x 31 cm		19 x 18 x 16 in 48 x 46 x 41 cm	19 x 18 x 16 in 48 x 46 x 31 cm	
Amps: Start Run	115V: 21A 230V: 10A 115V: 6A 230V: 3A		27A 5A	115V: 80A 230V: 40A 115V: 15A 230V: 8A	
Motor	0.5 Hp / 0.37 kW		1.2 Hp / 0.9 kW	1.5 Hp / 1.1 kW	
Noise	90.2 dB @ 3' (1 m)		86.1 dB @ 3' (1 m)	90.2 dB @ 3' (1 m)	
Electric	115/230V, 1Ø, 50/60Hz		230V, 1Ø, 50Hz	115/230V, 1Ø, 50/60Hz	
Approvals					

Airflow	EFC50x	EFC120x	EFC150x
Free Air	3,200 cfm (5,440 m³/hr)	3,750 cfm (6,375 m³/hr)	4,459 cfm (7,580 m³/hr)
Through Duct 15/4.6 m w/ one 90° turn:	1,935 cfm (3,289 m³/hr)	2,700 cfm (4,590 m³/hr)	3,179 cfm (5,404 m³/hr)

High-impact, heat resistant Lexan® polycarbonate housing

4-corner handles for fast set-up and storage

High velocity flow decreases smoke ejection time dramatically

Polymer TurboForce™ Impeller for increased shatter resistance and enhanced performance

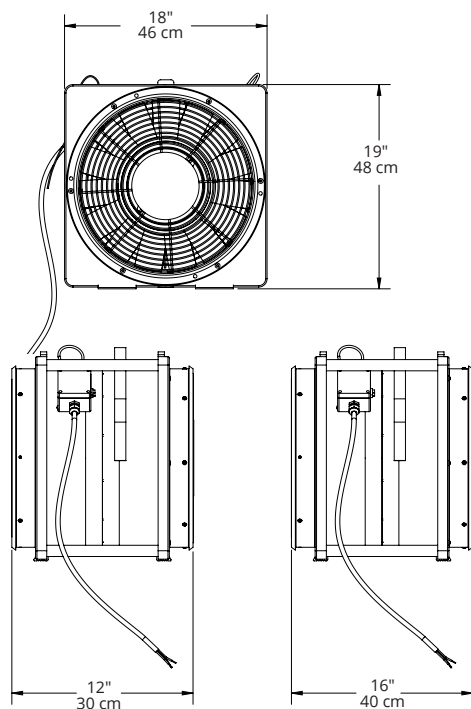


Compact design stacks easily

Built for smoke ejection in confined spaces



## Dimensions



## Available Accessories

### Disposable Duct

Order # FDT16DISP  
16" (40 cm) diameter Disposable Layflat Polyethylene duct sold by the foot/meter



### Layflat Duct

Order # FDT1625SME  
16" (40cm) Unreinforced layflat duct, 25' (7.6 m)



### 16" (40cm) Multi-Purpose Accessory Kit

Order # BG16LFA



### Tilt Bracket

Order # EA9145



### Door Bar and Hanger Kit

Order # EA7095k



### ECKO Flex™ with Carrying Bag

Order # FDT-1615BR - 16" (40cm) standard duct 15' (4.6 m), w/ carrying bag

Order # FDT-1625BR - 16" (40cm) standard duct 25' (7.6 m), w/ carrying bag

