

# Dust Collectors and Fume Exhausters



SAI GLOBAL  
ISO 9001  
Quality

# Model DC DUST COLLECTOR

The Model DC is a low cost packaged dust collector, designed to effectively remove dust, grit and other airborne contaminants at their source.

Only clean air is recirculated within the area. Easy to install... just remove it from the carton, set it on a standard 55-gallon drum and plug it in.

## MODEL DC PAYS FOR ITSELF WITH THESE ADVANTAGES:

- A cleaner work area
- Safer working conditions
- Plant maintenance savings
- Recirculates air in the building - No heat or A/C loss

Completely fabricated of heavy gauge steel with non-sparking aluminum housing and powerful radial wheel

Permanently lubricated, ball bearing, continuous duty motors are standard

All units fit standard open end steel drums

Safe, no exposed moving parts - Completely self contained

Low cost, economical to operate



## Typical Applications

| Model | Grinding                              | Woodworking                                      | Buffing & Polishing                |
|-------|---------------------------------------|--|------------------------------------|
| DC-8  | light laboratory type                 | 1- 6" saw, 1- small sander                       | light laboratory type              |
| DC-9  | 2- 6" wheels or 1- 8" or 10" wheel    | 1- 8" saw, 1- 4" jointer, 1- small sander        | 2- 6" wheels or 1- 8" or 10" wheel |
| DC-10 | 1-10" wheel or 2- 8" wheels           | 1- 10" saw, 1- 6" to 8" jointer, 1- planer       | 2- 8" wheels                       |
| DC-11 | 2-10" wheels or 1-12" wheel           | 1-12" or 14" saw, 1-16" planer, 2- small sanders | 1-12" wheel or 2-10" wheels        |
| DC-12 | 3 -10" wheels or 2 -12" to 14" wheels | 1-14" to 18" saw, 1-16" planer, 1- large sander  | 1-16" wheel or 2-12" wheels        |
| DC-13 | for higher pressure applications      |  |                                    |

## Optional Accessories

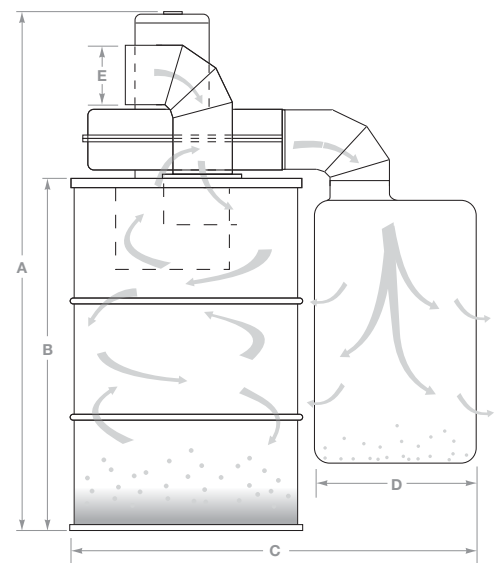
- Complete line of nozzles and fittings, etc
- 4-wheel dolly for portability
- Motor starters
- Cut-off dampers
- Metal suction hose
- Special voltages

## Dimensions

| Model | A                                | B                              | C  | D                              | E |
|-------|----------------------------------|--------------------------------|----|--------------------------------|---|
| DC-8  | 52 <sup>1</sup> / <sub>32</sub>  | 35 <sup>3</sup> / <sub>4</sub> | 42 | 11 <sup>1</sup> / <sub>2</sub> | 4 |
| DC-9  | 52 <sup>1</sup> / <sub>32</sub>  | 35 <sup>3</sup> / <sub>4</sub> | 42 | 11 <sup>1</sup> / <sub>2</sub> | 4 |
| DC-10 | 52 <sup>15</sup> / <sub>16</sub> | 35 <sup>3</sup> / <sub>4</sub> | 42 | 11 <sup>1</sup> / <sub>2</sub> | 5 |
| DC-11 | 54 <sup>1</sup> / <sub>2</sub>   | 35 <sup>3</sup> / <sub>4</sub> | 42 | 11 <sup>1</sup> / <sub>2</sub> | 6 |
| DC-12 | 54 <sup>1</sup> / <sub>2</sub>   | 35 <sup>3</sup> / <sub>4</sub> | 42 | 11 <sup>1</sup> / <sub>2</sub> | 6 |

## Specifications

| Model | HP    | RPM  | CFM  | Velocity (FPM) | Hose (in) | Ship Wt. (Lb) |
|-------|-------|------|------|----------------|-----------|---------------|
| DC-8  | 1/3   | 3450 | 350  | 4000           | 4 x 60    | 45            |
| DC-9  | 1/2   | 3450 | 450  | 5100           | 4 x 60    | 50            |
| DC-10 | 1     | 3450 | 700  | 5000           | 5 x 60    | 74            |
| DC-11 | 1 1/2 | 3450 | 875  | 4500           | 6 x 60    | 84            |
| DC-12 | 2     | 3450 | 1000 | 5000           | 6 x 60    | 96            |
| DC-13 | 3     | 3450 | 1200 | 6000           | 6 x 60    | 105           |



# Model CC Cyclone DUST COLLECTOR

The Model CC Cyclone separator, dust collector blows the dust laden air into the long tapered cyclone by means of a powerful radial blade blower. The high velocity cyclone action separates the dust particles into a dust storage cabinet or a 55- gallon drum. Dust free air is then returned to the work place. For very fine dust an after filter bag is available.

## APPLICATIONS:

- Surface & cutting grinders
- Buffing & polishing machines
- All types of wood working machines
- Tire retreading equipment
- Pharmaceutical powders
- Dust (food products, chemicals & precious metals)
- Lint, textiles, plastics, grain & many other applications

- Highly efficient cast aluminum and steel plate blowers
- 14-gauge steel cyclone
- Large 12-gauge steel storage box and supports
- Compact - self contained
- No exposed moving parts
- Inexpensive
- Easy installation
- Recirculating type - no heat loss



## Specifications

| Model No. | HP    | RPM  | CFF at 2" SP | Inlet O.D. (in) | Height less Filter Bag (in) | Floor Space (in) | Dust Storage Capacity (cubic ft) |      |     | Ship Wt. (Lb) |
|-----------|-------|------|--------------|-----------------|-----------------------------|------------------|----------------------------------|------|-----|---------------|
|           |       |      |              |                 |                             |                  | *1                               | *2   | *3  |               |
| CC-8-E    | 1/3   | 3450 | 275          | 4               | 49 1/2                      | 18 x 30          | 3.75                             | 2.00 | 7.5 | 169           |
| CC-9-F    | 1/2   | 3450 | 400          | 5               | 49 1/2                      | 18 x 30          | 3.75                             | 2.00 | 7.5 | 175           |
| CC-9-G    | 3/4   | 3450 | 485          | 5               | 49 1/2                      | 18 x 30          | 3.75                             | 2.00 | 7.5 | 177           |
| CC-10-H   | 1     | 3450 | 730          | 6               | 57 1/2                      | 20 x 36          | 5.00                             | 3.00 | 7.5 | 220           |
| CC-10-I   | 1 1/2 | 3450 | 755          | 6               | 57 1/2                      | 20 x 36          | 5.00                             | 3.00 | 7.5 | 229           |
| CC-12-I   | 1 1/2 | 3450 | 855          | 7               | 57 1/2                      | 20 x 36          | 5.00                             | 3.00 | 7.5 | 269           |
| CC-12-J   | 2     | 3450 | 1130         | 7               | 57 1/2                      | 20 x 36          | 5.00                             | 3.00 | 7.5 | 275           |
| CC-12-K   | 3     | 3450 | 1400         | 7               | 57 1/2                      | 20 x 36          | 5.00                             | 3.00 | 7.5 | 284           |
| CC-14-L   | 5     | 3450 | 2000         | 8               | 90                          | 35 x 54          | 13.00                            | 8.50 | 7.5 | 550           |

\*1 Standard cabinet without drawer

\*2 Standard cabinet with drawer

\*3 D-1 construction for one 55-gallon drum, D-2 construction is for two drums no cabinet – angle iron framing with cyclone and blower mounted on top  
Legs predrilled for assembly in the field

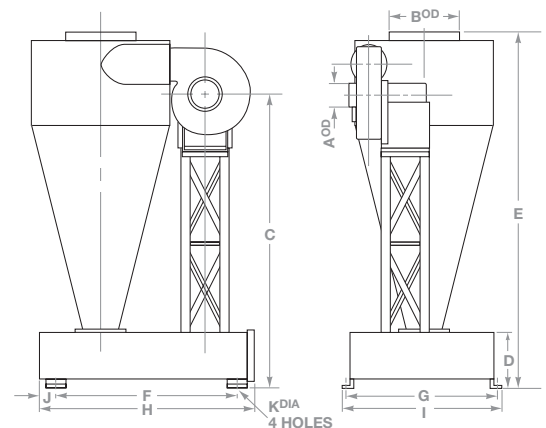
Above units can be modified with various wheels to meet more exacting requirements.

## Optional Accessories

- Steel wheels for cast aluminum blowers
- Motor starters
- Rain cap for outside use (canopy)
- Explosion proof motors
- Dust bags
- Dust drawer

## Dimensions

| Model | A | B      | C       | D  | E      | F  | G      | H  | I      | J | K   |
|-------|---|--------|---------|----|--------|----|--------|----|--------|---|-----|
| CC-8  | 4 | 8      | 40 5/16 | 14 | 49 1/2 | 22 | 18 3/4 | 30 | 19 3/4 | 4 | 5/8 |
| CC-9  | 5 | 8      | 39 1/4  | 14 | 49 1/2 | 22 | 18 3/4 | 30 | 19 3/4 | 4 | 5/8 |
| CC-10 | 6 | 10     | 46      | 14 | 57 1/2 | 28 | 20 3/4 | 36 | 21 3/4 | 4 | 5/8 |
| CC-12 | 7 | 10     | 44 9/16 | 14 | 57 1/2 | 28 | 20 3/4 | 36 | 21 3/4 | 4 | 5/8 |
| CC-14 | 8 | 17 1/2 | 75 9/16 | 14 | 90 3/4 | 46 | 36 3/4 | 54 | 38 3/4 | 4 | 5/8 |



# Fume-Chex FUME EXHAUSTER

This low-cost fume exhauster is not only ideally suited for collecting smoke and fumes from all welding, brazing and soldering operations; it is necessary for the good health of your employees. Industry has come to recognize the importance of good ventilation of fumes from the above operations. The fumes emitted from welding certain raw metals and coated metals such as galvanized, are not only a nuisance but a hazard to the health of the welders.

The Model FC draws these fumes away at their source and exhausts them to the outside. This assures both the comfort and the health of the welder and cuts down on fatigue.

This unit, because it traps the fumes at their source, eliminates the need for additional high-volume ventilation units which increase heating expenses in the winter months.

- Highly efficient cast aluminum and steel plate blowers
- 10 feet of flex hose
- Fume hood
- Adjustable discharge elbow
- Rubber vibration mount
- Non-sparking aluminum construction

## OTHER USES:

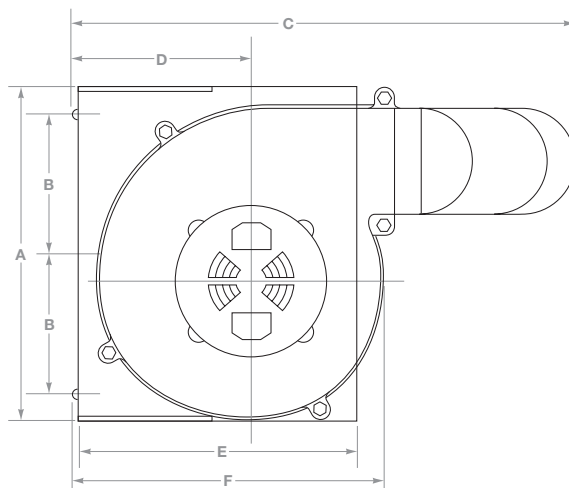
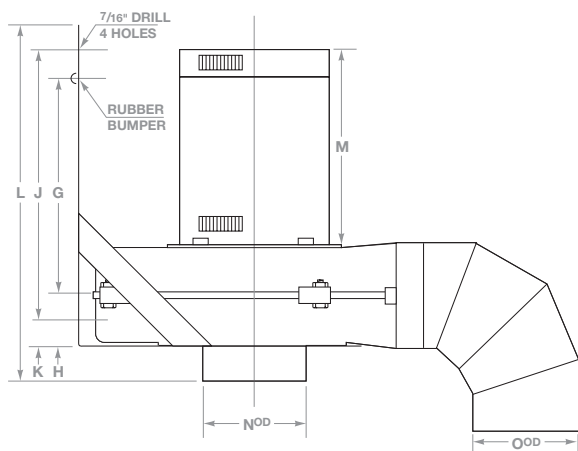
- Tank & sewer ventilation
- Auto exhaust removal systems
- All types of cooling applications
- By attaching the hose to the discharge, the Fume-Chex is converted into a powerful blower

## Optional Accessories

- Explosion proof motors
- Special voltages
- Hood magnets

## Specifications

| Model | HP    | RPM  | CFM  | Hose Size   | Hood Size (in)  | Ship Wt. (Lb) |
|-------|-------|------|------|-------------|-----------------|---------------|
| FC-8  | 1/3   | 3450 | 375  | 4" x 10 ft. | 3 x 7 x 4 O.D.  | 55            |
| FC-9  | 1/2   | 3450 | 550  | 5" x 10 ft. | 4 x 8 x 5 O.D.  | 65            |
| FC-10 | 1     | 3450 | 800  | 6" x 10 ft. | 5 x 10 x 6 O.D. | 80            |
| FC-11 | 1 1/2 | 3450 | 1200 | 6" x 10 ft. | 5 x 10 x 6 O.D. | 92            |
| FC-12 | 2     | 3450 | 1400 | 6" x 10 ft. | 5 x 10 x 6 O.D. | 100           |



## Dimensions

| Model | A      | B     | C       | D      | E      | F        | G  | H     | J  | K     | L      | M      | N | O |
|-------|--------|-------|---------|--------|--------|----------|----|-------|----|-------|--------|--------|---|---|
| FC-8  | 12 1/2 | 5 1/4 | 19 5/16 | 17     | 10 1/2 | 11 15/16 | 8  | 2     | 10 | 1     | 12 7/8 | 7      | 4 | 4 |
| FC-9  | 15     | 6 1/2 | 21 3/4  | 8 9/16 | 14     | 14 9/16  | 9  | 2 1/2 | 11 | 1 1/2 | 14 7/8 | 7 3/4  | 5 | 4 |
| FC-10 | 19 3/4 | 8 1/2 | 28 9/16 | 13 1/4 | 16 3/4 | 19 15/16 | 11 | 2 1/2 | 13 | 1 1/2 | 16 7/8 | 8 3/16 | 6 | 5 |
| FC-11 | 19 3/4 | 8 1/2 | 28 3/8  | 10 1/2 | 16 3/4 | 18 1/4   | 11 | 2 1/2 | 13 | 1 1/2 | 17 7/8 | 10 5/8 | 6 | 6 |
| FC-12 | 19 3/4 | 8 1/2 | 28 3/8  | 10 1/2 | 16 3/4 | 18 1/4   | 11 | 2 1/2 | 13 | 1 1/2 | 17 7/8 | 11 1/8 | 6 | 6 |

# Accessories

## Suction Hoses

### STANDARD

| Part # | Size |
|--------|------|
| 22201  | 3"   |
| 22203  | 4"   |
| 22205  | 5"   |
| 22207  | 6"   |



### HEAVY DUTY

| Part # | Size |
|--------|------|
| 22240  | 3"   |
| 22242  | 4"   |
| 22244  | 5"   |
| 22246  | 6"   |



### METAL FLEX

| Part # | Size |
|--------|------|
| 22253  | 3"   |
| 22254  | 4"   |
| 22255  | 5"   |
| 22256  | 6"   |



## "Y" Branches

| Part # | Size         | Part # | Size         |
|--------|--------------|--------|--------------|
| 22216  | 7" x 5" x 5" | 22250  | 6" x 3" x 3" |
| 22215  | 6" x 5" x 5" | 22214  | 5" x 4" x 4" |
| 22249  | 6" x 4" x 4" | 22251  | 5" x 3" x 3" |



## Suction Nozzles

| Part # | Size                |
|--------|---------------------|
| 22217  | 3" x 7" to 4" dia.  |
| 22218  | 4" x 8" to 5" dia.  |
| 22219  | 5" x 10" to 6" dia. |



## Cut-Offs

### FULL

| Part # | Size | Part # | Size |
|--------|------|--------|------|
| 21952  | 3"   | 21956  | 7"   |
| 21953  | 4"   | 21957  | 8"   |
| 21954  | 5"   | 21958  | 10"  |
| 21955  | 6"   | 21992  | 12"  |



### HALF

| Part # | Size | Part # | Size |
|--------|------|--------|------|
| 21951  | 3"   | 21942  | 7"   |
| 21931  | 4"   | 21943  | 8"   |
| 21940  | 5"   | 21945  | 10"  |
| 21941  | 6"   | 21944  | 12"  |



## Hose Clamps

| Part # | Size    |
|--------|---------|
| 22210  | 3" dia. |
| 22211  | 4" dia. |
| 22212  | 5" dia. |
| 22213  | 6" dia. |
| 22237  | 8" dia. |



## Hose Connectors

| Part # | Size    |
|--------|---------|
| 22257  | 3" dia. |
| 22258  | 4" dia. |
| 22259  | 5" dia. |
| 22260  | 6" dia. |
| 22261  | 8" dia. |



## Reducers

| Part # | Size    |
|--------|---------|
| 22225  | 4" - 3" |
| 22224  | 5" - 4" |
| 22223  | 5" - 3" |
| 22221  | 6" - 5" |
| 22222  | 6" - 4" |
| 22220  | 7" - 6" |
| 22252  | 7" - 5" |



## Dust Bags

### DC

| Part # | Size               |
|--------|--------------------|
| 24656  | DC-8 & 9           |
| 24604  | DC-10, 11, 12 & 13 |

### CC

| Part # | Size       |
|--------|------------|
| 24601  | CC-8 & 9   |
| 24602  | CC-10 & 12 |
| 24603  | CC-14      |

## 4-Wheel Steel Dolly

### Part No.

|                                    |
|------------------------------------|
| 24650                              |
| Fits 55-gallon drum (all DC Units) |



## Hood Magnets

### Part #

|                                |
|--------------------------------|
| 22273                          |
| (to attach to suction nozzles) |





## At the heart of your operations

Howden people live to improve our products and services and for over 160 years our world has revolved around our customers. This dedication means our air and gas handling equipment adds maximum value to your operations. We have innovation in our hearts and every day we focus on providing you with the best solutions for your vital operations.



[Howden Industrial Fan Group](#)  
[American Fan / Joy Fan / Garden City Fan](#)

Factory / Office  
2933 Symmes Road  
Fairfield, Ohio 45014-2099

**Tel:** 1-866-771-6266  
**Fax:** 1-513-870-6249  
**Email:** haf.sales@howden.com

**Revolving Around You™**

©Howden Group Limited.  
All rights reserved. 2016.

Howden and the flying H logo are registered trademarks belonging to Howden Group Limited.