



# D SERIES

## Direct Drive Forward Curved Blower

For low static environments.  
Ideal for light duty exhaust applications.

### FEATURES

- Wheels are forward curved steel, dynamically balanced and designed for efficient operation.
- Welded 16 gauge steel housings and motor bases.
- TEFC motors are standard.
- Comes as clockwise rotation, bottom horizontal discharge (can be rotated at 45° increments).

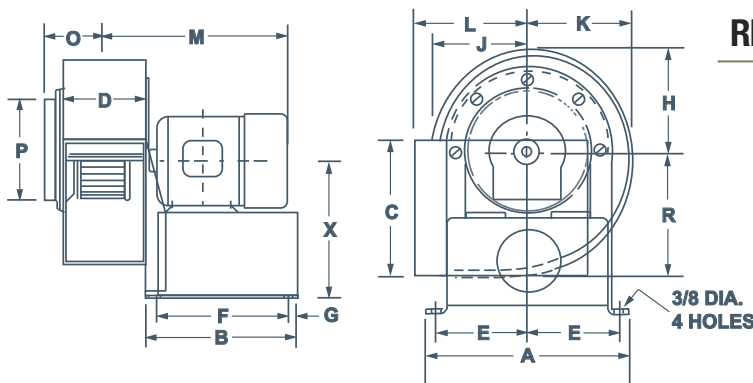
### PERFORMANCE SPECIFICATIONS

MODEL			H.P.	RPM	CFM @ STATIC PRESSURE														dBA @ 5 FT
SINGLE PHASE	THREE PHASE 208/230/460	THREE PHASE 575			0"	1/8"	1/4"	3/8"	1/2"	5/8"	3/4"	1"	1 1/4"	1 1/2"	1 3/4"	2"	2 1/4"		
D6AAS	D6AAM	D6AAP	1/3	1140	330	250	100	--	--	--	--	--	--	--	--	--	--	51	
D6ABS	D6ABM	D6ABP	1/3	1750	560	515	470	420	300	300	--	--	--	--	--	--	53		
D8AS	D8AM	D8AP	1/3	1140	680	620	535	430	--	--	--	--	--	--	--	--	55		
D8CS	D8CM	D8CP	1/3	1750	1085	1050	1005	960	865	865	750	580	--	--	--	--	57		
D9CS	D9CM	D9CP	1/3	1140	1160	1125	1090	1035	855	855	--	--	--	--	--	--	56		
D9FS	D9FM	D9FP	1	1750	--	--	--	1720	1675	1675	1620	1550	1445	1290	1100	--	58		
D11ES	D11EM	D11EP	3/4	1140	1970	1870	1800	1710	1500	1500	1290	1020	--	--	--	--	61		
D11GS	D11GM	D11GP	1 1/2	1750	--	--	--	--	--	--	--	--	1840	1730	1600	1450	1280	63	

\* Fan should not be run at static pressure less than shown in above table, motor overload will result.  
dBA ratings shown are measured at 0" static pressure, and should be used as a guideline only.

### DIMENSIONS

BLOWER	WHEEL	BORE	A	B	C	D	E	F	G	H	J	K	L	M*	O	P	R	X	WEIGHT (LBS) (LESS MOTOR)
D6AA	6 1/4" X 3"	5/8"	9 3/8"	8"	7 3/8"	4 1/4"	4 1/4"	7"	1/2"	5"	4"	6"	5"	11 5/8"	3 1/8"	6"	7 1/8"	9"	13
D6AB	6 1/4" X 3"	5/8"	9 3/8"	8"	7 3/8"	4 1/4"	4 1/4"	7"	1/2"	5"	4"	6"	5"	11 5/8"	3 1/8"	6"	7 1/8"	9"	13
D8A	7 3/4" X 3 7/8"	5/8"	11"	8"	8 1/4"	5 3/8"	5"	7"	1/2"	6"	4 5/8"	6 3/4"	6 7/8"	12 1/2"	3 3/4"	8"	8"	9"	18
D8C	7 3/4" X 3 7/8"	5/8"	11"	8"	8 1/4"	5 3/8"	5"	7"	1/2"	6"	4 5/8"	6 3/4"	6 7/8"	12 1/2"	3 3/4"	8"	8"	9"	18
D9C	9" X 4 1/2"	5/8"	12 1/8"	8"	10 3/4"	6 1/2"	5 5/8"	7"	1/2"	6 3/4"	5 5/8"	7 3/4"	7 1/8"	13"	4 3/8"	9"	9 1/4"	9 7/8"	25
D9F	9" X 4 1/2"	5/8"	12 1/8"	8"	10 3/4"	6 1/2"	5 5/8"	7"	1/2"	6 3/4"	5 5/8"	7 3/4"	7 1/8"	14 1/4"	4 3/8"	9"	9 1/4"	9 7/8"	25
D11E	10 5/8" X 5 1/4"	5/8"	14 3/4"	11 1/2"	11 3/4"	8"	6 7/8"	10"	3/4"	8"	6 3/4"	9 1/8"	8 1/8"	15 1/2"	5"	10"	10 3/4"	11 1/4"	36
D11G	10 5/8" X 4"	5/8"	14 3/4"	11 1/2"	11 3/4"	5 7/8"	6 7/8"	10"	3/4"	8"	6 3/4"	9 1/8"	8 1/8"	14 5/8"	4"	10"	10 3/4"	11 1/4"	36



### RELATED PRODUCTS



**PW SERIES**  
Direct Drive Pressure  
Blowers



**KE SERIES**  
Direct Drive Radial Blade  
Blowers