

DEWALT®



**Instruction Manual
Guide D'utilisation
Manual de instrucciones**

**DXF2042
20" DRUM FAN
VENTILADOR DE TAMBOR DE 20"
VENTILATEUR DE TAMBOUR 20"**

www.DEWALT.com

**If you have questions or comments, contact us.
Pour toute question ou tout commentaire, nous contacter.
Si tiene dudas o comentarios, contáctenos.**

1-888-899-0146

ENGLISH

English (**original instructions**)

1

Français (**traduction de la notice d'instructions originale**)

7

Español (**traducido de las instrucciones originales**)

13

Definitions: Safety Guidelines

The definitions below describe the level of severity for each signal word. Please read the manual and pay attention to these symbols.

- !** **DANGER:** Indicates an imminently hazardous situation which, if not avoided, **will** result in **death or serious injury**.
- !** **WARNING:** Indicates a potentially hazardous situation which, if not avoided, **could** result in **death or serious injury**.
- !** **CAUTION:** Indicates a potentially hazardous situation which, if not avoided, **may** result in **minor or moderate injury**.
- !** **NOTICE:** Indicates a practice not related to personal injury which, if not avoided, may result in **property damage**.

Fig. A

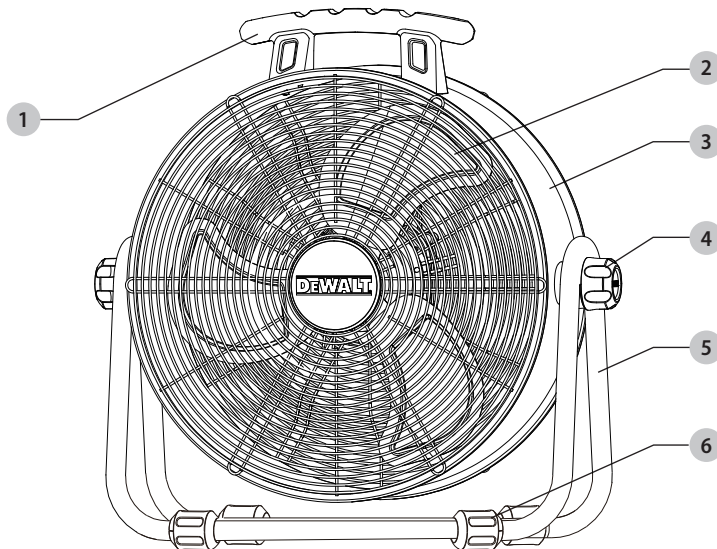
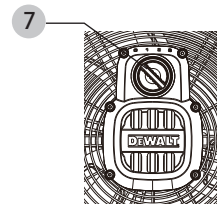


Fig. B



- 1 Handle
- 2 Blade
- 3 Drum
- 4 Screw nut
- 5 Frame
- 6 Foot pad
- 7 Switch

! **WARNING: Read all safety warnings and all instructions.** Failure to follow the warnings and instructions may result in electric shock, fire and / or serious injury.

! **WARNING:** To reduce the risk of injury, read the instruction manual.

If you have any questions or comments, call us at:
1-888-899-0146

IMPORTANT INSTRUCTIONS

▲ WARNING:

As with all electrical appliances, basic safety precautions should always be followed to reduce the risk of electric shock, fire, or injury to persons, including the following precautions:

Read all the instructions before using this fan.

▲ WARNING:

- Use this fan only as described in this manual. Any other use not recommended by the manufacturer may cause electrical shock, fire or injury to persons.
- Do not operate the fan with a damaged power cord or after the fan malfunctions or has been dropped in any manner.
- Use of extreme caution is necessary when any fan is used by or near children, disabled persons or pets and whenever the fan is left operating unattended.
- Do not place the fan on a small, unlevel, uneven or any surface which might allow fan to tip or fall.
- For proper operation, fan should be placed on a smooth non-combustible, level surface.
- Always unplug fan when not in use, when moving from place to place, when assembling or disassembling parts, and before cleaning.
- The use of attachments that are not recommended or sold by the manufacturer may cause hazards.
- Do not use outdoors.
- Do not use fan in window. Rain may cause electrical hazard.
- Do not operate the fan with blade guards or any safety device removed.
- Do not run power cord under carpeting. Do not cover cord with throw rugs, runners or the like. Arrange cord away from traffic area where it will not be tripped over.
- Do not insert or allow any object to enter any openings on the fan. Doing so may cause electric shock and/or fire hazard. Avoid contact with moving parts.
- This appliance is not intended for use by persons (including children) with reduced physical, sensory or mental capabilities or lack of experience and knowledge, unless

they have been given supervision or instruction concerning use of the appliance by a person responsible for their safety.

- Children should be supervised to ensure they do not play with the appliance.

PROPOSITION 65 WARNING

▲ WARNING:

Drilling, sawing, sanding or machining wood products can expose you to wood dust, a substance known to the State of California to cause cancer. Avoid inhaling wood dust or use a dust mask or other safeguards for personal protection. For more information go to: WWW.P65Warnings.ca.gov/wood

Some examples of these chemicals are:

- Lead from lead-based paints,
- Crystalline silica from bricks and cement and other masonry products, and
- Arsenic and chromium from chemically-treated lumber.

Your risk from these exposures varies depending on how often you do this type of work. To reduce your exposure to these chemicals: work in a well ventilated area and work with approved safety equipment, such as those dust masks that are specially designed to filter out microscopic particles.

Handling the power cord on this product may expose you to chemicals known to the state of California to cause cancer and birth defects or other reproductive harm. Wash hands after handling.

**For more information go to:
www.P65Warnings.ca.gov**

PRODUCT SPECIFICATIONS

Model	DXF2042
Power	120V / 60 Hz / 120W
Speed	3
Weight	10kgs
Power Cord	SJT 18AWGX3C 6ft

▲ WARNING:

Use only extension cords that are rated for outdoor use. Extension cords in poor condition or that are too small in wire size can pose fire and shock hazards. To reduce the risk of these hazards when using an extension cord, be sure it is in good condition and that the connection does not come into contact with liquid. To keep power loss to a minimum, use the following table to choose the minimum wire size extension cord.

Extension Cord Length	Wire Gauge A.W.G.
0 - 50 ft.	14
50 - 100 ft.	12

READ&SAVE THESE INSTRUCTIONS

▲ WARNING: Shock Hazard

Use this fan only in dry environments. This fan is not intended for use in a bathroom, laundry area, or similar locations, or near sinks, washing machines, swimming pools or other sources of water. Never locate fan where it may fall into a bathtub or other water receptacle. Do not use in damp environments such as flooded basements.

▲ WARNING: Hot Surfaces

Do not touch fan motor when in use. This motor is hot when in use, to avoid burns, do not let bare skin touch hot surfaces.

▲ WARNING: Fire Hazard

Fans have arcing or sparking parts inside. Do not use near combustible materials or flammable gases or sources of heat. DO NOT USE in areas where gasoline, paint or flammable materials are used or stored. To prevent a possible fire, do not block air intakes or exhaust

in any manner. Do not insert or allow foreign objects to enter any ventilation or exhaust opening as this may cause an electric shock, fire, or damage the fan.

▲ WARNING: Electrical Shock Hazard

Do not use with damaged cord or plug. Use with adequate electrical system that is up to code.

▲ WARNING: To Prevent Electric Shock

Improper connection of the equipment-grounding conductor can result in a risk of electric shock, check with a qualified electrician or service person if you are in doubt as to whether the outlet is properly grounded. Do not modify the plug provided with the appliance- if it will not fit the outlet, have a proper outlet installed by a qualified electrician.

▲ WARNING: To Reduce The Risk Of Or Electric Shock

Do not use this product with any solid-state speed control device.

GROUNDING INSTRUCTIONS

In the event of malfunction or breakdown, grounding provides a path of least resistance for electric current to reduce the risk of electric shock. The fan must be connected to a cord having an equipment-grounding conductor and a grounding plug. The plug must be plugged into an appropriate outlet that is properly installed and grounded in accordance with all local codes and ordinances.

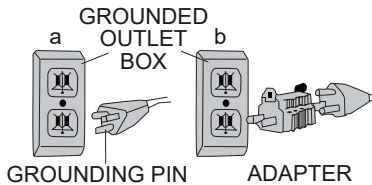
▲ DANGER: Improper connection of the equipment grounding conductor can result in a risk of electric shock. The conductor with insulation having an outer surface that is green with or without yellow stripes is the equipment grounding conductor. If repair or replacement of the cord or plug is necessary, do not connect the equipment-grounding conductor to a live terminal. Check with a qualified electrician or service person if the grounding instructions are not completely understood, or if in doubt as to whether the fan is properly grounded. Do not modify the plug connected to the fan – if it will not fit the outlet, have a proper outlet installed by a qualified electrician.

FOR GROUNDED, CORD-CONNECTED FAN RATED LESS THAN 15A AND INTENDED FOR USE ON A NOMINAL 120V SUPPLY CIRCUIT

ENGLISH

The fan is for use on a nominal 120V circuit, and should be connected to a grounding outlet that looks like that illustrated in sketch a. A temporary adaptor, which looks like the adaptor illustrated in sketch b, may be used to connect this plug to a 2-pole receptacle as shown in sketch b if a properly grounded outlet is not available. The temporary adaptor should be used only until a properly grounded outlet can be installed by a qualified electrician. The green colored rigid ear, lug, and the like, extending from the adaptor must be connected to a permanent ground such as a properly grounded outlet box cover. Whenever the adaptor is used, it must be held in place by the metal screw.

NOTE: IN CANADA, THE USE OF A TEMPORARY ADAPTOR IS NOT PERMITTED BY THE CANADIAN ELECTRICAL CODE. Ensure that the fan is connected to an outlet having the same configuration as the plug.



USE OF EXTENSION CORDS WITH FAN

Only use a grounded extension cord that is rated at least 15 amps and has a third-wire ground. When a long extension cord is used to connect the fan, a voltage drop occurs. The longer the cord, the greater the voltage drop. This results in less voltage being supplied to the fan and increases the amount of current (amp) draw or reduces performance. A heavier cord with a larger wire size will reduce the voltage drop. Be sure to choose a cord that will supply enough voltage to operate the fan. The table below indicates appropriate gauge for extension cords.

Minimum Gauge for Extension Cord Sets						
Ampere Rating		Volts	Total Length of Cord in Feet (meters)			
			120V	25(7.6)	50(15.2)	100(30.5)
		240V	50(15.2)	100(30.5)	200(61.0)	300(91.4)
More Than	Not More Than	AWG				
0	6		18	16	16	14
6	10		18	16	14	12
10	12		16	16	14	12

▲WARNING: Keep electrical cords in good condition. Do not use worn, bare, or frayed cords because they can cause electrical shock.
▲WARNING: Operating equipment at low voltage can cause it to overheat. Using an excessively long extension cord can cause the cord to overheat.

FAN OPERATION

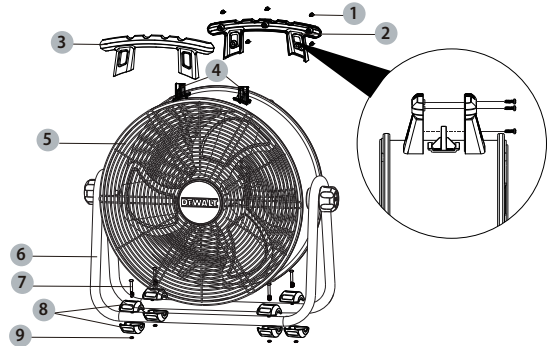
▲WARNING: Before assembling the fan, make sure all parts are present. Compare parts with contents list. If any part is missing or damaged, do not attempt to assemble, install, or operate the product. Contact customer service for replacement parts. Unplug fan before assembling any parts to it.

1. Tools Required (Not Included):

#2 Phillips Screwdriver or Suitable Drill Equipped with #2 Phillips Bit.

2. Fan Cradle Assembly:

Simple assembly is required to use this fan.



- 1 Handle screw 2 Rear handle 3 Front handle
- 4 Handle base 5 Drum 6 Frame
- 7 Foot pad screw 8 Foot pad 9 Screw nut

- Insert the 2 and 3 into the slot of 4, then insert the 1 in the holes on 2, then tighten up.
- Insert the 7 through the holes on 8 and 6, and secure with 9.

3. Fan Operation: Always operate the fan with the cradle in its upright position. The fan itself can be tilted into various positions depending on applications, including straight upward.

4. Fan Location: Place the fan in an area in the room that will provide the most effective air circulation.

5. **Fan Connection:** Plug fan directly into 120 volt A.C., 60Hz wall outlet. Be sure plug fits tightly in outlet. A loose connection may cause overheating and damage to the plug or fan.

NOTE: To prevent overloading a circuit, do not plug the fan into a circuit that is servicing other electrical loads.

6. **Turning Fan On:** Place fan on stable level surface. Plug fan into properly grounded outlet. To start the fan, turn the switch from the OFF position to the desired fan speed.

7. **Turning Fan Off:** To turn the fan off, turn the switch from the current fan speed setting to the off position. Remove plug from outlet.

8. **Adjusting Fan Tilt:** Loosen the adjustment knob until the drum rotates freely on the frame. Adjust the fan to desired tilt angle and re-tighten the knob. Do not overtighten adjustment knob.

CARE and MAINTENANCE

Cleaning:

▲WARNING: Before cleaning the fan be sure to disconnect power cord from the plug. Clean the grille surface with a clean damp cloth. Do not use harsh chemical or abrasive cleaners.

▲WARNING: DO NOT IMMERSE THE FAN OR ANY WIRES IN WATER. Replace front grille before fan use and allow fan to dry completely before use. Periodic grille cleaning with a vacuum will prevent dust build up. The motor is sealed and does not require any interior maintenance, cleaning or lubrication.

Maintenance: The Internal motor bearings are permanently lubricated at the factory and do not require any additional lubrication.

Repair:

▲WARNING: DO NOT OPERATE THE FAN WITHOUT THE GRILLE IN PLACE. DO NOT USE THE FAN IF IT HAS MALFUNCTIONED OR BECOME DAMAGED IN ANY WAY.

Storage: Keep original carton for storage of the fan. Coil and tie the power cord to avoid damage during storage.

Free warning label replacement: If warning labels become illegible or are missing, please call 1-888-899-0146 for free replacement.

OPTIONAL ACCESSORIES

▲WARNING: Since accessories, other than those offered by DEWALT, have not been tested with this product, use of such accessories with this appliance could be hazardous. To reduce the risk of injury, only DEWALT recommended accessories should be used with this product.

TROUBLESHOOTING

▲WARNING:

TO REDUCE THE RISK OF INJURY FROM MOVING PARTS AND/OR ELECTRICAL SHOCK, TURN POWER SWITCH OFF AND DISCONNECT GROUNDED PLUG FROM ELECTRICAL OUTLET BEFORE PERFORMING TROUBLESHOOTING CHECKS.

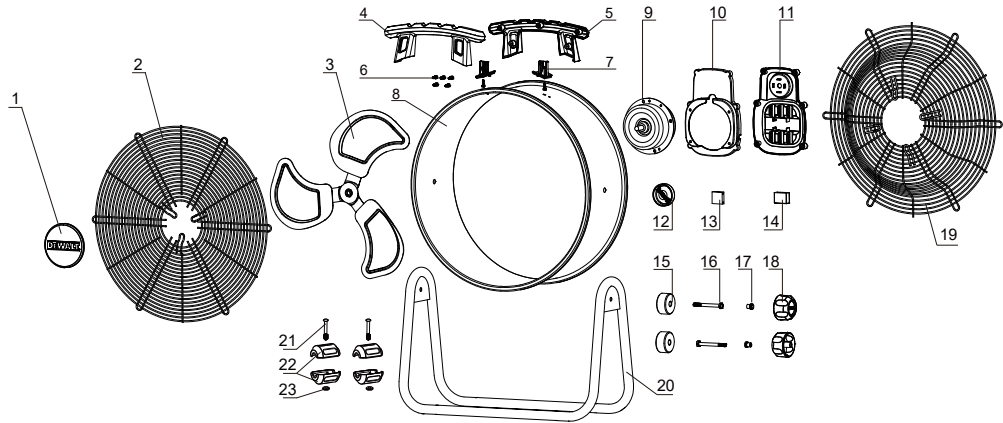
Minor problems often can be fixed without calling customer service.

PROBLEM	CAUSE	SOLUTION
Unit will not run.	1. No power to unit. 2. Switch not on.	1. Plug unit in. 2. Place in "ON" position.
Unit is not rotating.	1. Obstructions are keeping the fan from working.	1. Check for obstructions. If you find an obstruction, turn the fan off. Unplug the fan and carefully remove the obstruction. Plug the fan in and turn it on again by referring to the operating instructions.
Unit runs but the fan makes loud scraping noise.	1. Unit has been severely jolted causing fan blade to rub against housing or housing to deform.	1. Contact customer service.
Unit runs but vibrates excessively.	1. Dirt build up on fan blade. 2. Severe jolt has bent motor shaft.	1. Contact customer service.

▲WARNING: If the supply cord is damaged, it must be replaced by the manufacturer, its service agent or similarly qualified persons in order to avoid a hazard.



EXPLODED VIEW AND PARTS LIST



ITEM	PART	DESCRIPTION	QTY
1	A1011003421	Logo panel	1
2	A1011003422	Front grille	1
3	A1011003423	Blade	1
4	A1011003424	Front handle	1
5	A1011003425	Rear handle	1
6	A1011003426	Handle screw	7
7	A1011003427	Handle base	2
8	A1011003428	Drum	1
9	A1011003429	Motor	1
10	A1011003430	Rear switch housing	1
11	A1011003431	Front switch housing	1
12	A1011003432	Switch nut	1

13	A1011003433	Switch	1
14	A1011003434	Capacitor	1
15	A1011003435	Rubber ring	2
16	A1011003436	Screws	2
17	A1011003437	Serrated washer	2
18	A1011003438	Adjustment knob	2
19	A1011003439	Rear grille	1
20	A1011003440	Frame	1
21	A1011003441	Short screw	2
22	A1011003442	Foot pad	2
23	A1011003443	Screw nut	2

Copyright © 2020 DEWALT.
 DeWALT® and the DeWALT Logo are trademarks of the DeWALT Industrial Tool Co., or an affiliate thereof and are used under license.

The yellow/black color scheme is a trademark for DeWALT power tools & accessories.

Copyright © 2020 DEWALT.
 DeWALT® y el logotipo de DeWALT son marcas comerciales de DeWALT Industrial Tool Co., o una filial del mismo y se usan bajo licencia.

El gráfico de color negro y amarillo es una marca registrada para las herramientas eléctricas y los accesorios de DeWALT.

Copyright © 2020 DEWALT.
 DeWALT® et le logo DeWALT sont des marques de commerce de DeWALT Industrial Tool Co., ou d'une société affiliée à cette dernière et sont utilisés sous licence.

L'agencement de couleurs jaune et noir est une marque de commerce des outils électriques et accessoires DeWALT.

Définitions : lignes directrices en matière de sécurité

Les définitions ci-dessous décrivent le niveau de gravité pour chaque symbole. Veuillez lire le mode d'emploi et porter une attention particulière à ces symboles.

⚠ DANGER: Indique une situation dangereuse imminente qui, si elle n'est pas évitée, **causera la mort ou des blessures graves.**

⚠ AVERTISSEMENT: Indique une situation potentiellement dangereuse qui, si elle n'est pas évitée, **pourrait se solder par un décès ou des blessures graves.**

⚠ ATTENTION: Indique une situation potentiellement dangereuse qui, si elle n'est pas évitée, **pourrait se solder par des blessures mineures ou modérées.**

AVIS: Indique une pratique ne posant aucun risque de dommages corporels mais qui par contre, si rien n'est fait pour l'éviter, pourrait poser des **risques de dommages matériels.**

Fig. A

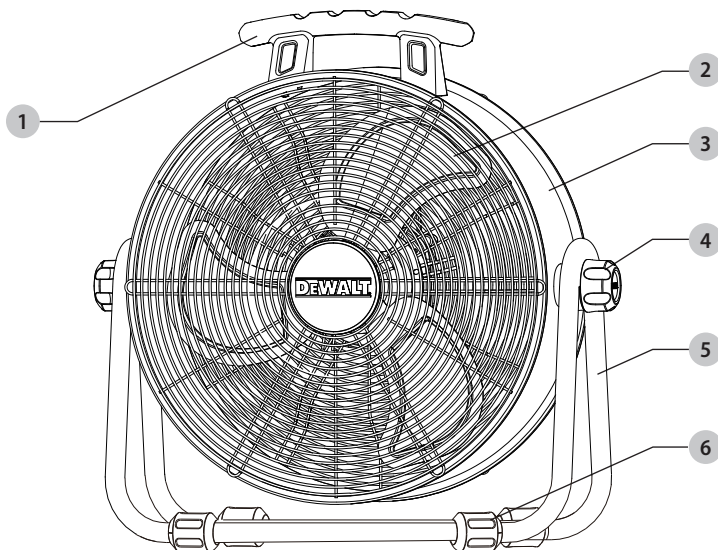
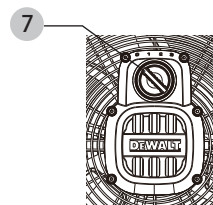


Fig. B



- 1 Poignée
- 2 Lame
- 3 Tambour
- 4 Bouton
- 5 Cadre
- 6 Coussin de pied
- 7 Boîtier de commande avant

⚠ AVERTISSEMENT: lisez tous les avertissements de sécurité et toutes les instructions. Le non-respect des avertissements et des instructions peut entraîner un choc électrique, un incendie et / ou des blessures graves.

👤 AVERTISSEMENT: Pour réduire le risque de blessure, lisez le manuel d'instructions.

Si vous avez des questions ou des commentaires, appelez-nous au: 1-888-899-0146

INSTRUCTIONS IMPORTANTES

▲ AVERTISSEMENT:

Comme pour tous les appareils électriques, des précautions de sécurité élémentaires doivent toujours être suivies pour réduire les risques d'électrocution, d'incendie ou de blessures, y compris les précautions suivantes:

Lisez toutes les instructions avant d'utiliser ce ventilateur.

▲ AVERTISSEMENT:

- Utilisez ce ventilateur uniquement comme décrit dans ce manuel. Toute autre utilisation non recommandée par le fabricant peut provoquer une électrocution, un incendie ou des blessures.
- Ne faites pas fonctionner le ventilateur avec un cordon d'alimentation endommagé ou après un mauvais fonctionnement ou une chute quelconque du ventilateur.
- Une extrême prudence est nécessaire lorsqu'un ventilateur est utilisé par ou à proximité d'enfants, de personnes handicapées ou d'animaux domestiques et lorsque le ventilateur fonctionne sans surveillance.
- Ne placez pas le ventilateur sur une surface petite, irrégulière, inégale ou sur toute surface qui pourrait le faire basculer ou tomber.
- Pour un fonctionnement correct, le ventilateur doit être placé sur une surface plane, non combustible et lisse.
- Débranchez toujours le ventilateur lorsqu'il n'est pas utilisé, lors d'un déplacement, lors du montage ou du démontage de pièces et avant le nettoyage.
- L'utilisation d'accessoires non recommandés ou vendus par le fabricant peut être dangereuse.
- N'utilisez pas à l'extérieur.
- N'utilisez pas le ventilateur dans la fenêtre. La pluie peut causer des risques électriques (pour les modèles nonfenêtre).
- Ne faites pas fonctionner le ventilateur avec les couvercles ou tout dispositif de sécurité enlevé.
- Ne faites pas passer le cordon d'alimentation sous la moquette. Ne couvrez pas le cordon avec des carpettes, des patins ou similaires. Éloignez le cordon de la zone de circulation où il ne risque pas d'être trébuché.
- N'insérez pas ou ne laissez pas aucun objet pénétrer dans les ouvertures du ventilateur. Cela pourrait provoquer une électrocution et / ou un risque. Évitez le contact avec les pièces en mouvement.

- Cet appareil n'est pas destiné à être utilisé par des personnes (y compris des enfants) ayant des capacités physiques, sensorielles ou mentales réduites, ou manquant d'expérience et de connaissances, à moins qu'une personne responsable de leur sécurité ne les ait supervisées ou instruites.
- Les enfants doivent être surveillés pour s'assurer qu'ils ne jouent pas avec cet appareil.

PROPOSITION 65 AVERTISSEMENT

▲ AVERTISSEMENT:

Le forage, le sciage, le ponçage ou l'usinage de produits en bois peuvent vous exposer à la poussière de bois, une substance connue de l'État de Californie pour provoquer le cancer. Évitez d'inhaler la poussière de bois ou utilisez un masque anti-poussière ou d'autres protections pour la protection personnelle. Pour plus d'informations, visitez: WWW.P65Warnings.ca.gov/wood

Voici quelques exemples de ces produits chimiques:

- Plomb à partir de peintures à base de plomb,
- Silice cristalline de briques et de ciment et autres produits de maçonnerie, et
- Arsenic et chrome provenant de bois traité chimiquement.

Votre risque lié à ces expositions varie en fonction de la fréquence à laquelle vous effectuez ce type de travail. Pour réduire votre exposition à ces produits chimiques: travaillez dans un endroit bien ventilé et travaillez avec un équipement de sécurité approuvé, comme ces masques anti-poussière spécialement conçus pour filtrer les particules microscopiques.

La manipulation du cordon d'alimentation de ce produit peut vous exposer à des produits chimiques connus de l'État de Californie pour provoquer le cancer et des malformations congénitales ou d'autres troubles de la reproduction. Se laver les mains après manipulation.

Pour plus d'informations, rendez-vous sur:
www.P65Warnings.ca.gov

SPÉCIFICATIONS DU PRODUIT

Modèle	DXF2042
Puissance	120V / 60 Hz / 120W
Vitesse	3
Poids	10kgs
Cordon D'alimentation	SJT 18AWGX3C 1.8m

▲ AVERTISSEMENT:

N'utilisez que les rallonges conçues pour une utilisation extérieure. L'utilisation de rallonges en mauvais état ou d'un calibre trop petit peut provoquer des incendies et des décharges électriques. Afin de réduire ces risques lors de l'utilisation d'une rallonge, assurez-vous qu'elle en bon état et que le branchement n'entre pas en contact avec des liquides. Afin de réduire au minimum la perte de puissance, utilisez le tableau suivant pour déterminer la longueur minimale nécessaire de la rallonge.

Longueur de la rallonge	Câble Calibre A.W.G.
0 a 15, 24m	14
15, 24 a 30, 48m	12

LISEZ ET CONSERVEZ CES INSTRUCTIONS

▲ AVERTISSEMENT: Risque d'électrocution

Utilisez ce ventilateur solo dans une atmosphère sèche. Ce ventilateur n'est pas conçu pour être utilisé dans une salle de bains, une buanderie ou un lieu similaire, ni à proximité d'éviers, de machines à laver, de piscines ou d'autres sources d'eau. Ne placez jamais le ventilateur dans un endroit où il pourrait tomber dans une baignoire ou un autre récipient d'eau. N'utilisez pas dans des environnements humides tels que des sous-sols inondés.

▲ AVERTISSEMENT: Surfaces chaudes

Ne touchez pas le moteur du ventilateur lors de son fonctionnement. Ce moteur est chaud lors du fonctionnement, pour éviter les brûlures, ne laissez pas la peau nue toucher les surfaces chaudes.

▲ AVERTISSEMENT: Risque d'incendie

Les ventilateurs ont des pièces d'arcs électriques ou d'étincelles à l'intérieur. N'utilisez pas près de matériaux combustibles, de gaz inflammables ou de sources de chaleur. N'UTILISEZ PAS dans des zones où de l'essence, de la peinture ou des matériaux

inflammables sont utilisés ou stockés. Pour éviter tout risque d'incendie, ne bloquez pas les entrées d'air ni aucun échappement. N'insérez pas ou ne laissez pas des corps étrangers pénétrer dans les orifices d'aération ou de ventilation, car cela pourrait provoquer une électrocution, un incendie ou endommager le ventilateur.

▲ AVERTISSEMENT: Risque d'électrocution

N'utilisez pas avec un cordon ou une fiche endommagée. Utilisez avec un système électrique adéquat, conforme au code.

▲ AVERTISSEMENT: Une mauvaise connexion du conducteur de

Mise à la terre de l'équipement peut entraîner un risque de choc électrique. Consultez un électricien qualifié ou une personne de service si vous avez des doutes sur le point de savoir si la prise est correctement mise à la terre. Ne modifiez pas la fiche fournie avec l'appareil, si elle ne résout pas le faire installer une prise adéquate par un électricien qualifié.

▲ AVERTISSEMENT: Pour réduire les risques d'électrocution

N'utilisez pas ce produit avec un dispositif de contrôle de vitesse à semi-conducteurs.

MISE À LA TERRE INSTRUCTIONS

En cas de dysfonctionnement ou de panne, la mise à la terre fournit un chemin de moindre résistance au courant électrique pour réduire le risque de choc. Le ventilateur doit être connecté à un cordon avec un conducteur de mise à la terre de l'équipement et une prise de terre. La fiche doit être branchée dans une prise appropriée correctement installée et mise à la terre conformément à tous les codes et règlements locaux

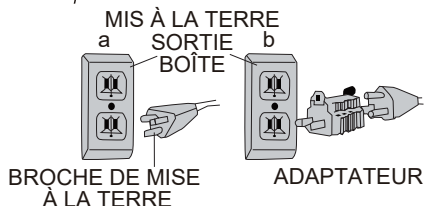
▲ **DANGER:** Une mauvaise connexion du conducteur de mise à la terre de l'équipement peut entraîner un risque de choc électrique. Le conducteur dont l'isolation a une surface extérieure verte avec ou sans bandes jaunes est le conducteur de mise à la terre de l'équipement. Si la réparation ou le remplacement du cordon ou de la fiche est nécessaire, ne connectez pas le conducteur de mise à la terre Terminal. Vérifiez auprès d'un électricien qualifié ou personne de service si les instructions de mise à la terre sont pas complètement compris, ou en cas de doute sur si le ventilateur est correctement mis à la terre. Ne pas modifier la fiche connectée au ventilateur - si elle ne convient pas à la prise, installez une prise appropriée par un électricien qualifié.

POUR MISE À LA TERRE, CONNECTÉE AU CORDON VENTILATEUR MOINS DE 15 A ET MOI RÉPARÉ POUR UNE UTILISATION SUR UN NOMINAL 120V CIRCUIT D'ALIMENTATION

Français

Le ventilateur est destiné à être utilisé sur un circuit nominal de 120 V, et doit être connecté à une prise de terre ressemblant à celui illustré dans le croquis a. Un adaptateur temporaire, qui ressemble à l'adaptateur illustré dans le croquis b, peut être utilisé pour connecter cette fiche à une prise à 2 pôles comme indiqué sur le croquis b si aucune prise correctement mise à la terre n'est disponible. Le l'adaptateur temporaire ne doit être utilisé que une prise correctement mise à la terre peut être installée par un électricien qualifié. L'oreille rigide de couleur verte, ergot et similaire s'étendant depuis l'adaptateur doit être connecté à une terre permanente telle que le couvercle de boîte de sortie correctement mis à la terre. Chaque fois que l'adaptateur est utilisé, il doit être tenu en place par la vis métallique.

REMARQUE: AU CANADA, L'UTILISATION D'UN L'ADAPTATEUR TEMPORAIRE N'EST PAS AUTORISÉ PAR LE CODE ÉLECTRIQUE CANADIEN. Assurez-vous que le ventilateur est connecté à une prise ayant la même configuration que la fiche.



UTILISATION DE CORDONS DE RALLONGE AVEC VENTILATEUR

Utilisez uniquement une rallonge mise à la terre au moins 15 ampères et a une mise à la terre du troisième fil. Lorsqu'une longue rallonge est utilisée pour se connecter le ventilateur, une chute de tension se produit. Plus le cordon, plus la chute de tension est importante. Il en résulte en moins de tension fournie au ventilateur et augmente la quantité de courant (amp) ou réduit les performances. Un cordon plus lourd avec une plus grande taille de fil réduira la chute de tension. Étreassez-vous de choisir un cordon qui fournira suffisamment tension pour faire fonctionner le ventilateur. Le tableau ci-dessous indique la jauge appropriée pour l'extension cordons.

Jauge minimale pour les jeux de rallonges						
		Volts	Longueur totale du cordon en pieds (mètres)			
Ampère Rating	120V		25(7.6)	50(15.2)	100(30.5)	150(45.7)
	240V		50(15.2)	100(30.5)	200(61.0)	300(91.4)
Plus Que	Pas plus Que	AWG				
0	6		18	16	16	14
6	10		18	16	14	12
10	12		16	16	14	12

⚠ AVERTISSEMENT: Gardez les cordons électriques en bon état. Ne pas utiliser usé, nu ou effiloché les cordons car ils peuvent provoquer un choc électrique.

⚠ AVERTISSEMENT: fonctionnement de l'équipement à faible la tension peut provoquer une surchauffe. Utiliser un une rallonge trop longue peut provoquer cordon pour surchauffer.

FONCTIONNEMENT DU VENTILATEUR

⚠ AVERTISSEMENT:

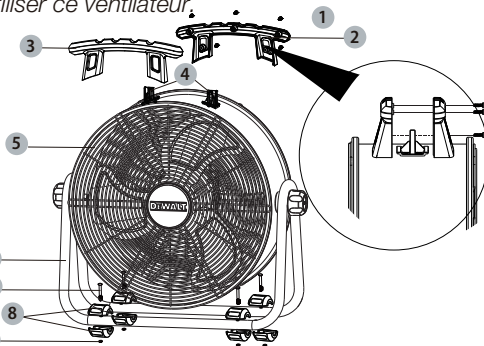
Avant d'assembler le ventilateur, assurez-vous que toutes les pièces sont présentes. Comparez les pièces avec la liste de contenu. Si une pièce est manquante ou endommagée, n'essayez pas d'assembler, d'installer ou d'utiliser le produit. Contactez le service client pour les pièces de rechange. Débranchez le ventilateur avant de lui assembler des pièces.

1. Outils Requis (non inclus):

Tournevis cruciforme #2 ou foret approprié équipé d'un embout cruciforme #2.

2. Assemblage du support de ventilateur:

Un assemblage simple est nécessaire pour utiliser ce ventilateur.



- 1 Vis de la poignée 2 Poignée arrière 3 Poignée avant
- 4 Base de la poignée 5 Tambour 6 Cadre
- 7 Vis du patin de pied 8 Patin du pied 9 Écrou de vis

• Insérez les 2 et 3 dans la fente de 4, puis insérez le 1 dans les trous sur 2, puis serrez.
 • Insérez le 7 dans les trous des 8 et 6 et fixez avec le 9.

3. **Fonctionnement du ventilateur:** Faites toujours fonctionner le ventilateur en position verticale en respectant toutes les instructions et recommandations énumérées dans ce manuel.

4. **Emplacement du fan:** Placez le ventilateur dans la zone de la pièce qui le refroidira correctement.

5. **Connexion du ventilateur:** Branchez le ventilateur directement dans la prise 120 volts 60Hz. Une connexion desserrée peut provoquer une surchauffe et endommager la fiche ou le ventilateur.

REMARQUE: Pour éviter de surcharger un circuit, ne branchez pas le ventilateur sur un circuit servant à l'alimentation d'autres sources électriques.

6. **Démarrer le ventilateur:** Placez le ventilateur sur une surface plane et stable. Branchez le ventilateur sur une prise correctement mise à la terre. Pour démarrer le ventilateur, réglez le commutateur de la position OFF sur la vitesse du ventilateur souhaitée.

7. **Éteindre le ventilateur:** Pour éteindre le ventilateur, réglez le commutateur de la vitesse du ventilateur sur la position d'arrêt. Débranchez la fiche de la prise.

8. **Réglage de l'inclinaison du ventilateur:** Desserrez le bouton de réglage jusqu'à ce que le tambour Faites pivoter librement dans le cadre. Réglez le ventilateur à l'angle d'inclinaison souhaité et resserrez le bouton. Ne serrez pas trop le bouton de réglage.

SOINS ET MAINTENANCE

Nettoyage:

▲ **MISE EN GARDE:** ATTENTION-AVANT de nettoyer le ventilateur, assurez-vous de débrancher le cordon d'alimentation de la prise. Nettoyez la surface de la grille avec un chiffon propre et humide. N'utilisez pas de produits de nettoyage chimiques ou abrasifs.

▲ **AVERTISSEMENT:** N'IMMERGEZ PAS LE VENTILATEUR OU LES FILS DANS L'EAU. Remplacez la grille avant l'utilisation du ventilateur, laissez le ventilateur sécher complètement avant de l'utiliser. Le nettoyage périodique de la grille avec un aspirateur empêchera la formation de poussière. Le moteur est scellé et ne nécessite aucun entretien intérieur, nettoyage ou lubrification.

Maintenance: Les roulements internes du moteur sont lubrifiés en permanence en usine et ne nécessitent aucune lubrification supplémentaire.

Reparación:

▲ **AVERTISSEMENT:** N'UTILISEZ PAS LE VENTILATEUR SANS LA GRILLE EN PLACE. N'UTILISEZ PAS LE VENTILATEUR SI CELA AVAIT DYSFONCTIONNE OU EST ENDOMMAGÉ DE QUELQUE MANIÈRE QUE CE SOIT.

Stockage: Conservez l'emballage d'origine pour le stockage du ventilateur. Enroulez et attachez le cordon d'alimentation pour éviter tout dommage pendant le stockage.

Remplacement gratuit de l'étiquette d'avertissement:

Si les étiquettes d'avertissement deviennent illisibles ou manquantes, appelez le 1-888-899-0146 pour obtenir un remplacement gratuit.

ACCESSOIRES EN OPTION

▲ **AVERTISSEMENT:** Des accessoires autres que ceux proposés par DEWALT n'ayant pas été testés avec ce produit, leur utilisation avec cet appareil peut être dangereuse. Pour réduire les risques de blessures, seuls les accessoires recommandés par DEWALT doivent être utilisés avec ce produit.

DÉPANNAGE

▲ **AVERTISSEMENT:**

POUR RÉDUIRE LES RISQUES DE BLESSURES LIÉES AUX PIÈCES EN MOUVEMENT ET / OU AUX ÉLECTROCUTIONS, ÉTEIGNEZ LE COMMUTATEUR ÉLECTRIQUE ET DÉBRANCHEZ LA FICHE MISE À LA TERRE DE LA PRISE ÉLECTRIQUE AVANT DE DÉPANNAGE.

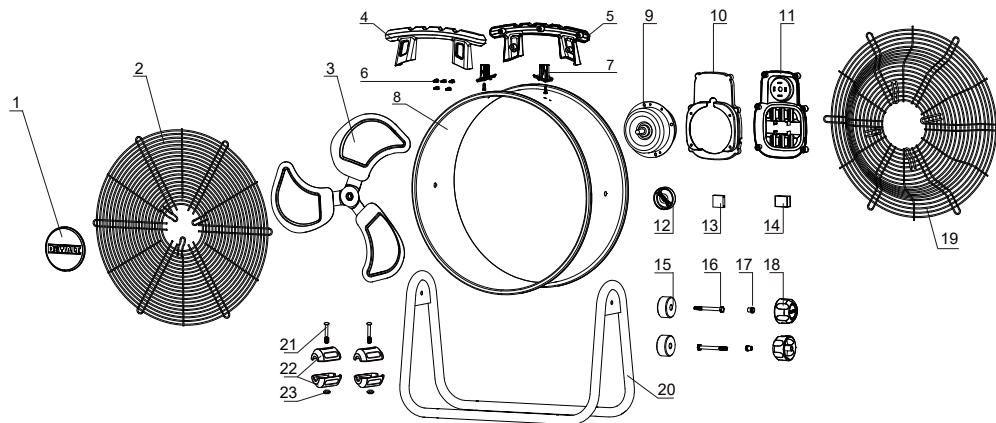
Les problèmes mineurs peuvent souvent être résolus sans appeler le service clientèle.

PROBLÈME	CAUSE	SOLUTION
L'unité ne fonctionnera pas	1. Pas d'alimentation de l'unité. 2. Ne pas allumer.	1. Branchez l'unité. 2. Placer en position "ON".
L'unité ne tourne pas	1. Des obstacles empêchent le ventilateur de fonctionner.	1. Vérifiez les obstructions. Si vous trouvez un obstacle, éteignez le ventilateur. Débranchez le ventilateur et retirez soigneusement l'obstruction. Branchez le ventilateur et rallumez-le en vous référant au mode d'emploi.
L'unité fonctionne mais le ventilateur fait un bruit de grattage fort	1. L'unité a été gravement secouée et la pale du ventilateur a frotté contre le boîtier ou le boîtier s'est déformé	1. Contacter le service client
L'unité fonctionne mais vibre excessivement	1. Acumulación de suciedad en la pala del ventilador. 2. Una gran sacudida en el eje del motor doblado	1. Contacter le service client

▲ **AVERTISSEMENT:** Si le cordon d'alimentation est endommagé, il doit être remplacé par le fabricant, son agent de service ou des personnes de qualification similaire afin d'éviter tout risque.



VUE ÉCLATÉE ET LISTE DE PIÈCES



ARTICLE	PIÈCE	DESCRIPTION	MONTANT
1	A1011003421	Panneau de logo	1
2	A1011003422	Grille avant	1
3	A1011003423	Lame	1
4	A1011003424	Poignée avant	1
5	A1011003425	Poignée arrière	1
6	A1011003426	Vis de poignée	7
7	A1011003427	Base de poignée	2
8	A1011003428	Tambour	1
9	A1011003429	Moteur	1
10	A1011003430	Boîtier de commutateur arrière	1
11	A1011003431	Boîtier de commutateur avant	1
12	A1011003432	Écrou de commutation	1

13	A1011003433	Commutateur	1
14	A1011003434	Condensateur	1
15	A1011003435	Anneau de caoutchouc	2
16	A1011003436	Des vis	2
17	A1011003437	Rondelle dentelée	2
18	A1011003438	Bouton de réglage	2
19	A1011003439	Calandre arrière	1
20	A1011003440	Cadre	1
21	A1011003441	Vis courte	2
22	A1011003442	Coussin de pied	2
23	A1011003443	Écrou à vis	2

Copyright © 2020 DeWALT.
DeWALT® and the DeWALT Logo are trademarks of the DeWALT Industrial Tool Co., or an affiliate thereof and are used under license.

The yellow/black color scheme is a trademark for DeWALT power tools & accessories.

Copyright © 2020 DeWALT.
DeWALT® y el logotipo de DeWALT son marcas comerciales de DeWALT Industrial Tool Co., o una filial del mismo y se usan bajo licencia.

El gráfico de color negro y amarillo es una marca registrada para las herramientas eléctricas y los accesorios de DeWALT.

Copyright © 2020 DeWALT.
DeWALT® et le logo DeWALT sont des marques de commerce de DeWALT Industrial Tool Co., ou d'une société affiliée à cette dernière et sont utilisés sous licence.

L'agencement de couleurs jaune et noir est une marque de commerce des outils électriques et accessoires DeWALT.

Definiciones: Normas de seguridad

Las siguientes definiciones describen el nivel de gravedad de cada advertencia. Lea el manual y preste atención a estos símbolos.

⚠ PELIGRO: Indica una situación de peligro inminente que, si no se evita, **provocará la muerte o lesiones graves.**

⚠ ADVERTENCIA: Indica una situación de peligro potencial que, si no se evita, **podría provocar muerte o lesiones graves.**

⚠ ATTENTION: Indica una situación de peligro potencial que, si no se evita, **puede provocar lesiones leves o moderadas.**

AVISO: Se refiere a una práctica no relacionada a lesiones corporales que de no evitarse **puede resultar en daños a la propiedad.**

Fig. A

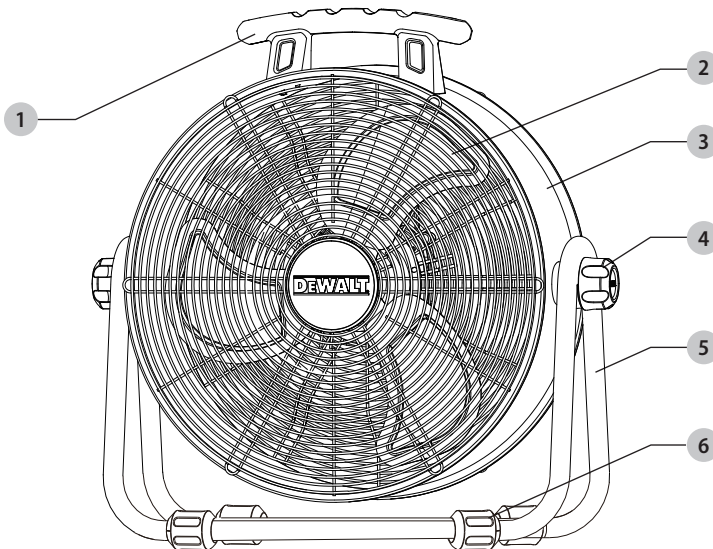
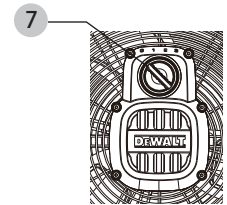


Fig. B



- 1 Manejar
- 2 Cuchilla
- 3 Tambor
- 4 Perilla
- 5 Marco
- 6 Almohadilla de pie
- 7 Caja de interruptores frontal

⚠ ADVERTENCIA: Lea todas las advertencias de seguridad y todas las instrucciones.

El incumplimiento de las advertencias e instrucciones puede provocar descargas eléctricas, incendios y / o lesiones graves.



ADVERTENCIA: para reducir el riesgo de lesiones, lea el manual de instrucciones.

Si tiene alguna pregunta o comentario, llámenos al:
1-888-899-0146

INSTRUCCIONES IMPORTANTES

▲ ADVERTENCIA:

Al igual que todos electrodomésticos, siempre se deben seguir las precauciones básicas de seguridad para reducir el riesgo de descargas eléctricas, incendios o lesiones personales, incluidas las siguientes precauciones:

Lea todas las instrucciones antes de usar este ventilador.

▲ ADVERTENCIA:

- *Utilice este ventilador solo como se describe en este manual. Cualquier otro uso no recomendado por el fabricante puede causar descargas eléctricas, incendios o lesiones personales.*
- *No opere el ventilador con un cable de alimentación dañado o después de que el ventilador no funcione correctamente o se haya caído de alguna manera.*
- *Es necesario usar extrema precaución cuando un ventilador es usado por o cerca de niños, personas discapacitadas o mascotas y cuando el ventilador se deja funcionando sin supervisión.*
- *No coloque el ventilador en la superficie pequeña, desigual, irregular o que pueda permitir que el ventilador se incline o caiga.*
- *Para un funcionamiento correcto, el ventilador debe colocarse sobre una superficie lisa, no combustible y nivelada.*
- *Siempre desenchufe el ventilador cuando no esté en uso, cuando se mueva de un lugar a otro, al ensamblar o desarmar partes y antes de limpiar.*
- *El uso de accesorios no recomendados o vendidos por el fabricante puede causar riesgos.*
- *No lo utilice al aire libre.*
- *No use el ventilador en la ventana. La lluvia puede causar peligro eléctrico (para modelos sin ventana).*
- *No opere el ventilador con protecciones de cuchillas ni ningún dispositivo de seguridad.*
- *No coloque el cable de alimentación debajo de la alfombra. No cubra el cable con tapetes, correderas o similares. Coloque el cable lejos del área de tránsito donde no se pueda tropezar.*
- *No inserte ni permita que ningún objeto entre en las aberturas del ventilador. Si lo hace, puede provocar una descarga eléctrica y / o un riesgo de incendio. Evite el contacto con piezas móviles.*

- *Este dispositivo no está diseñado para ser utilizado por personas (incluidos niños) con capacidades físicas, sensoriales o mentales reducidas o por falta de experiencia y conocimiento, a menos que hayan sido supervisados o instruidos sobre el uso del dispositivo por una persona responsable de su seguridad.*
- *Los niños deben ser supervisados para asegurarse de que no jueguen con el aparato.*

PROPUESTA 65 ADVERTENCIA:

▲ ADVERTENCIA:

Perforar, aserrar, lijar o mecanizar productos de madera puede exponerlo al polvo de madera, una sustancia que el Estado de California sabe que causa cáncer. Evite inhalar polvo de madera o use una máscara antipolvo u otras medidas de seguridad para protección personal. Para obtener más información, visite: WWW.P65Warnings.ca.gov/wood

Algunos ejemplos de estos químicos son:

- *Plomo de pinturas a base de plomo,*
- *Sílice cristalina de ladrillos y cemento y otros productos de albañilería, y*
- *Arsénico y cromo de madera tratada químicamente.*

Su riesgo de estas exposiciones varía según la frecuencia con la que realiza este tipo de trabajo. Para reducir su exposición a estos químicos: trabaje en un área bien ventilada y trabaje con equipos de seguridad aprobados, como las máscaras antipolvo que están especialmente diseñadas para filtrar partículas microscópicas.

El manejo del cable de alimentación de este producto puede exponerlo a sustancias químicas que el estado de California reconoce como causantes de cáncer y defectos de nacimiento u otros daños reproductivos. Lávese las manos después de manipular.

Para más información ir a:
www.P65Warnings.ca.gov

ESPECIFICACIONES DEL PRODUCTO

Modelo	DXF2042
Potencia	120V / 60 Hz / 120W
Velocidad	3
Corriente De Aire	10kgs
Cable De Alimentación	SJT 18AWGX3C 1.8m

▲ ADVERTENCIA:

Use solo extensiones eléctricas calificadas para uso en exteriores. Las extensiones eléctricas en malas condiciones o de tamaño muy pequeño pueden constituir peligro de incendios y descargas eléctricas. Para reducir el riesgo de estos peligros al usar una extensión eléctrica asegúrese de que esta esté en buenas condiciones y de que la conexión no entre en contacto con líquidos. Para mantener la pérdida de energía al mínimo, use la siguiente tabla para escoger el tamaño ed cable mínimo de la extensión eléctrica.

Largo de la extensión eléctrica	Cable calibre A.W.G.
0 a 15, 24m	14
15, 24 a 30, 48m	12

LEA Y GUARDE ESTAS INSTRUCCIONES

▲ ADVERTENCIA: Peligro de choque

Use este ventilador sólo en ambientes secos. Este ventilador no está diseñado para usarse en un baño, área de lavado o lugares similares, ni cerca de fregaderos, lavadoras, piscinas u otras fuentes de agua. Nunca coloque el ventilador donde pueda caer en una bañera u otro recipiente de agua. No usar en ambientes húmedos, como sótanos hongados.

▲ ADVERTENCIA: Superficies Calientes

No toque el motor del ventilador cuando esté en uso. Este motor está caliente cuando está en uso, para evitar quemaduras, no permita que la piel d desnuda toque las superficies calientes.

▲ ADVERTENCIA: Peligro de incendio

Los ventiladores tienen arcos o chispas en el interior. No lo use cerca de materiales combustibles, gases inflamables o fuentes de calor. NO LO USE en áreas donde se use o almacene gasolina, pintura o materiales que se puedan amasar. Para evitar un posible incendio, no bloquee las entradas o salidas de aire de ninguna manera. No inserte ni permita que entren objetos extraños en ninguna abertura de ventilación o escape, ya que esto podría causar

una descarga eléctrica, un incendio o dañar el ventilador.

▲ ADVERTENCIA: Peligro de choque eléctrico

No utilice con el cable o el enchufe dañado. Utilícelo con un sistema eléctrico adecuado que cumpla con el código.

▲ ADVERTENCIA: Para evitar choque eléctrico

La conexión inadecuada del conductor de conexión a tierra del equipo puede ocasionar un riesgo de descarga eléctrica, consulte con un electricista calificado o una persona de servicio si tiene dudas sobre si el tomacorriente está correctamente conectado a tierra. No modifique el enchufe provisto con el aparato, si no Enchufe, haga que un electricista calificado instale un tomacorriente adecuado.

▲ ADVERTENCIA: Para reducir el riesgo de choque eléctrico no

use este producto con ningún dispositivo de control de velocidad de estado sólido.

TOMA DE TIERRA INSTRUCCIONES

En caso de mal funcionamiento o avería, la conexión a tierra proporciona un camino de menor resistencia para corriente eléctrica para reducir el riesgo de electricidad conmoción. El ventilador debe estar conectado a un cable. tener un conductor de puesta a tierra del equipo y un enchufe a tierra El enchufe debe estar enchufado en una salida adecuada que sea adecuada instalado y conectado a tierra de acuerdo con todos códigos y ordenanzas locales.

▲ PELIGRO: La conexión incorrecta del conductor de conexión a tierra del equipo puede provocar un riesgo de descarga eléctrica. El conductor con aislamiento que tiene una superficie externa que es verde con o sin rayas amarillas es el conductor de conexión a tierra del equipo. Si es necesario reparar o reemplazar el cable o el enchufe, no conecte el conductor de conexión a tierra del equipo terminal. Consulte con un electricista calificado o persona de servicio si las instrucciones de conexión a tierra son no completamente entendido, o si tiene dudas sobre si el ventilador está correctamente conectado a tierra. No haga modificar el enchufe conectado al ventilador, si lo hará no encaja en el tomacorriente, tenga instalado un tomacorriente adecuado por un electricista calificado.

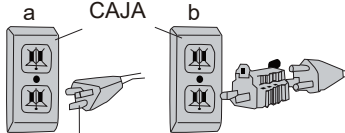
PARA CONECTADO A CABLE CON TIERRA VENTILADOR CLASIFICADO MENOS DE 15A E INDICADO PARA USO EN UN 120V NOMINAL CIRCUITO DE SUMINISTRO.

El ventilador es para usar en un circuito nominal de 120V, y debe estar conectado a una toma

de tierra que se parece a lo ilustrado en el boceto a. Un temporal adaptador, que se parece al adaptador ilustrado en sketchb, puede usarse para conectar este enchufe a un receptáculo de 2 polos como se muestra en el boceto b si No hay disponible una toma de corriente con conexión a tierra. los el adaptador temporal debe usarse solo hasta que un tomacorriente debidamente conectado a tierra puede ser instalado por un electricista calificado. La oreja rígida de color verde, terminal, y similares, que se extienden desde el adaptador debe estar conectado a una tierra permanente tal como una cubierta de caja de salida debidamente conectada a tierra. Cada vez que se usa el adaptador, debe sostenerse en su lugar por el tornillo de metal.

NOTA: EN CANADÁ, EL USO DE UN ADAPTADOR TEMPORAL NO ESTÁ PERMITIDO POR EL CÓDIGO ELÉCTRICO CANADIENSE. Asegúrese de que el ventilador esté conectado a una toma de corriente teniendo la misma configuración que el enchufe.

CONECTADO A TIERRA
TOMA DE CORRIENTE



PIN DE TIERRA

ADAPTADOR

USO DE CORDONES DE EXTENSIÓN CON VENTILADOR

Utilice solo un cable de extensión con conexión a tierra que esté clasificado Al menos 15 amperios y tiene una conexión a tierra del tercer cable. Cuando se usa un cable de extensión largo para conectar En el ventilador, se produce una caída de tensión. Cuanto más tiempo cable, mayor es la caída de voltaje. Esto resulta en menos voltaje que se suministra al ventilador y aumenta la cantidad de consumo de corriente (amperios) o Reduce el rendimiento. Un cable más pesado con un cable de mayor tamaño reducirá la caída de voltaje. Ser asegúrese de elegir un cable que suministre suficiente voltaje para operar el ventilador. La mesa de abajo indica el calibre apropiado para la extensión cuerdas.

Medidor mínimo para juegos de cables de extensión						
Clasificación de amperios		Voltios	Longitud total del cable en pies (metros)			
			120V	25(7.6)	50(15.2)	100(30.5)
Más Que	No más Que	AWG				
0	6		18	16	16	14
6	10		18	16	14	12
10	12		16	16	14	12

⚠ADVERTENCIA: Mantenga los cables eléctricos en buen estado condición. No lo use desgastado, desnudo o deshilachado cables porque pueden causar descargas eléctricas.

⚠ADVERTENCIA: Operar equipo a baja el voltaje puede causar que se sobrecaliente. Usando un un cable de extensión excesivamente largo puede causar cable para sobrecalentar.

FUNCIONAMIENTO DEL VENTILADOR

⚠ADVERTENCIA:

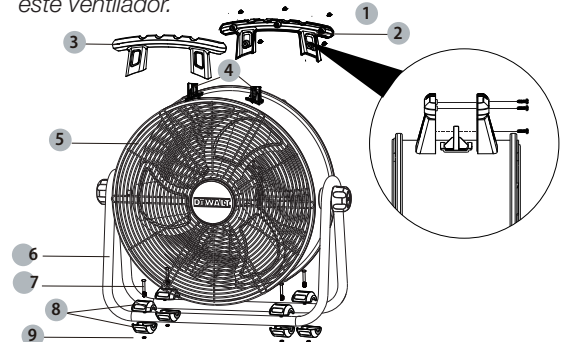
Antes de armar el ventilador, asegúrese de que todas las partes estén presentes. Compare partes con la lista de contenidos. Si falta alguna pieza o está dañada, no intente ensamblar, instalar u operar el producto. Póngase en contacto con el servicio al cliente para obtener piezas de repuesto. Desenchufe el ventilador antes de ensamblar cualquier parte.

1. Herramientas requeridas (no incluidas):

Destornillador Phillips n. # 2 o taladro adecuado equipado con broca Phillips n. # 2.

2. Ensamblaje de la base del ventilador:

Se requiere un ensamblaje simple para usar este ventilador.



- 1 Tornillo del mango
- 2 Mango trasero
- 3 Mango delantero
- 4 Base del mango
- 5 Tambor
- 6 marco
- 7 Tornillo de la almohadilla del pie
- 8 Almohadilla del pie
- 9 Tuerca del tornillo

• Inserte los 2 y 3 en la ranura de 4, luego inserte el 1 en los agujeros en 2, luego apriete.

• Inserte el 7 a través de los agujeros en 8 y 6, y asegúrelo con 9.

3. **Funcionamiento del ventilador:** siempre opere el ventilador en posición vertical siguiendo todas las instrucciones y recomendaciones que se enumeran en este manual.

4. **Ubicación del ventilador:** coloque el ventilador en el área de de la habitación que proporcionará el enfriamiento adecuado del ventilador.

5. **Conexión del ventilador:** enchufe el ventilador directamente a una toma de 120

voltios 60Hz. Una conexión floja puede causar sobrecalentamiento y dañar el enchufe o el ventilador.

NOTA: Para evitar la sobrecarga de un circuito, no conecte el ventilador a un circuito que esté atendiendo otras necesidades eléctricas.

6. **Encender el ventilador:** coloque el ventilador en una superficie nivelada y estable. Inserta el ventilador al enchufe adecuada de toma de tierra. Para encender el ventilador, gire el interruptor de la posición de APAGADO a la velocidad deseada del ventilador.
7. **Apagar el ventilador:** To turn the fan off, turn the switch from the current fan speed setting to the off position. Remove plug from outlet.
8. **Ajuste de la inclinación del ventilador:** Afloje la perilla de ajuste hasta que el tambor. Rota libremente en el marco. Ajuste el ventilador al ángulo de inclinación deseado y vuelva a apretar la perilla. No apriete demasiado la perilla de ajuste.

CUIDADO Y MANTENIMIENTO

Limpieza:

▲ PRECAUCIÓN: ANTES de limpiar el ventilador, asegúrese de desconectar el cable de alimentación del enchufe. Limpie la superficie de la rejilla con un paño limpio y húmedo. No utilice productos de limpieza abrasivos o químicos agresivos.

▲ ADVERTENCIA: NO SUMERGA AL VENTILADOR O ALGUNOS CABLES EN EL AGUA. Vuelva a colocar la rejilla frontal antes de usar el ventilador. Deje que el ventilador se seque completamente antes de usarlo. La limpieza periódica de la rejilla con una aspiradora evitará la acumulación de polvo. El motor está sellado y no requiere ningún mantenimiento interior, limpieza o lubricación.

Mantenimiento: Los cojinetes internos del motor están lubricados permanentemente en la fábrica y no requieren lubricación adicional.

Reparación:

▲ ADVERTENCIA: NO OPERE EL VENTILADOR SIN LA REJILLA EN SU LUGAR. NO USE EL VENTILADOR SI ESTÁ MAL FUNCIONADO O ESTÁ DAÑADO DE NINGUNA MANERA.

Almacenamiento: Guarde la caja original para guardar el ventilador. Enrolle y ate el cable de alimentación para evitar daños durante el almacenamiento.

Reemplazo gratuito de la etiqueta de advertencia:

Si las etiquetas de advertencia se vuelven ilegibles o faltan, llame al 1-888-899-0146 para obtener un reemplazo gratuito.

Si les étiquettes d'avertissement deviennent illisibles ou manquantes, appelez le 1-888-899-0146 pour obtenir un remplacement gratuit.

OPCIONAL ACCESORIOS

▲ ADVERTENCIA: ya que los accesorios, aparte de los ofrecidos por DEWALT, no se han probado con este producto, su uso con este aparato podría ser peligroso. Para reducir el riesgo de lesiones, solo los accesorios recomendados por DEWALT deben usarse con este producto.

SOLUCIÓN DE PROBLEMAS

▲ ADVERTENCIA:

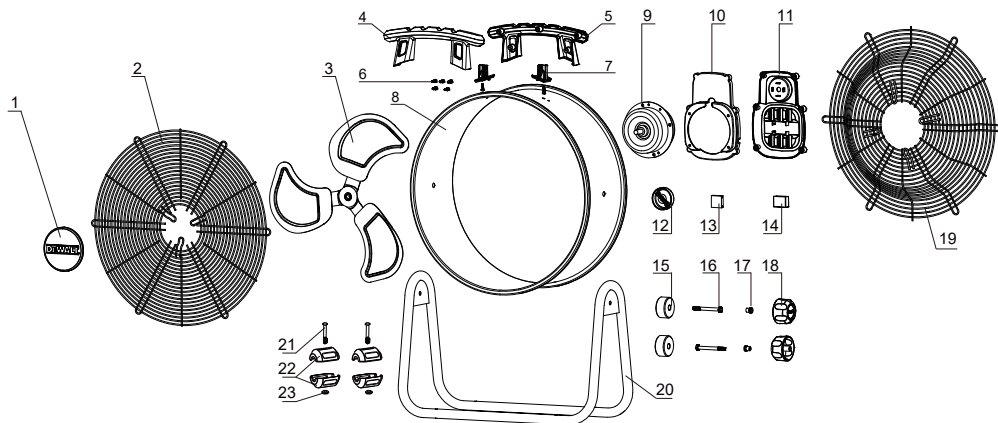
PARA REDUCIR EL RIESGO DE LESIONES DE LAS PIEZAS MÓVILES Y / O LA DESCARGA ELÉCTRICA, APAGUE EL ENCENDIDO Y DESCONECTE EL ENCHUFE CON PUESTA A TIERRA DE LA CAJA ELÉCTRICA ANTES DE REALIZAR UNA SOLUCIÓN DE PROBLEMAS

Los problemas menores a menudo se pueden solucionar sin llamar al servicio al cliente.

PROBLEMA	CAUSA	SOLUCIÓN
La unidad no funcionará	1. No hay energía a la unidad. 2. No encienda.	1. Enchufe la unidad. 2. Coloque en la posición "ON".
La unidad no gira	1. Las obstrucciones impiden que el ventilador funcione.	1. Compruebe si hay obstrucciones. Si encuentra una obstrucción, apague el ventilador. Desenchufe el ventilador y retire con cuidado la obstrucción. Enchufe el ventilador y vuelva a encenderlo consultando las instrucciones de funcionamiento.
La unidad funciona pero el ventilador hace un fuerte ruido de raspado	1. La unidad se sacudió severamente, lo que provocó que la aspa del ventilador rozara la carcasa o la carcasa se deformara	1. Póngase en contacto con el servicio al cliente
La unidad funciona pero vibra excesivamente	1. Suciedad acumulada en el aspa del ventilador 2. La sacudida severa ha doblado el eje del motor	1. Póngase en contacto con el servicio al cliente

▲ ADVERTENCIA: Si el cable de la electricidad está dañado, con el fin de evitar un peligro debe ser reemplazado por el fabricante, su agente de servicio o personas con calificaciones similares.



VISTA DETALLADA Y LISTA DE PIEZAS

ARTICLE	PIÈCE	DESCRIPTION	MONTANT
1	A1011003421	Panel de logotipo	1
2	A1011003422	Parrilla delantera	1
3	A1011003423	Espada	1
4	A1011003424	Manija delantera	1
5	A1011003425	Asa trasera	1
6	A1011003426	Tornillo de la manija	7
7	A1011003427	Base de la manija	2
8	A1011003428	Tambor	1
9	A1011003429	Motor	1
10	A1011003430	Caja del interruptor trasero	1
11	A1011003431	Carcasa del interruptor frontal	1
12	A1011003432	Tuerca del interruptor	1

13	A1011003433	Cambiar	1
14	A1011003434	Condensador	1
15	A1011003435	Anillo de goma	2
16	A1011003436	Empulgueras	2
17	A1011003437	Lavadora dentada	2
18	A1011003438	Botón de ajuste	2
19	A1011003439	Rejilla trasera	1
20	A1011003440	Marco	1
21	A1011003441	Tornillo corto	2
22	A1011003442	Almohadilla de pie	2
23	A1011003443	Tuerca de tornillo	2

Copyright © 2020 DeWALT.

DeWALT® and the DeWALT Logo are trademarks of the DeWALT Industrial Tool Co., or an affiliate thereof and are used under license.

The yellow/black color scheme is a trademark for DeWALT power tools & accessories.

Copyright © 2020 DeWALT.

DeWALT® y el logotipo de DeWALT son marcas comerciales de DeWALT Industrial Tool Co., o una filial del mismo y se usan bajo licencia.

El gráfico de color negro y amarillo es una marca registrada para las herramientas eléctricas y los accesorios de DeWALT.

Copyright © 2020 DeWALT.

DeWALT® et le logo DeWALT sont des marques de commerce de DeWALT Industrial Tool Co., ou d'une société affiliée à cette dernière et sont utilisés sous licence.

L'agencement de couleurs jaune et noir est une marque de commerce des outils électriques et accessoires DeWALT.