

EXHAUST FAN INFORMATION - Job#4452273

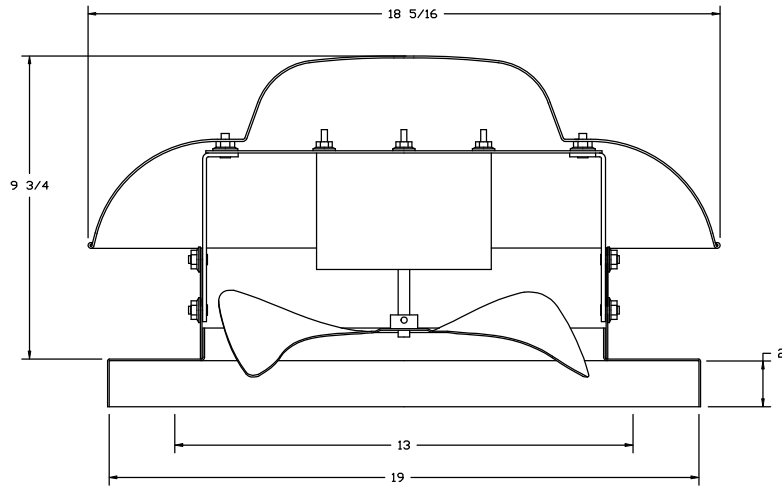
FAN UNIT NO	TAG	QTY	FAN UNIT MODEL #	CFM	ESP	RPM	MOTOR ENCL	HP	BHP	φ	VOLT	FLA	WEIGHT (LBS)	SDNES
1		1	DDAR10	524	0.001	1500	DDP	0.033	0.0320	1	115	1.1	32	N/A



FloAire

<i>JOB</i> ** Direct Order # 4452272	
<i>LOCATION</i> ,	
<i>DATE</i> 7/27/2020	<i>JOB #</i> 4452273
<i>DWG #</i> 1	<i>DRAWN BY</i> Cory D. Sc
<i>REV.</i>	<i>SCALE</i> 3/8" = 1'-0"

FAN #1 DDAR10 - EXHAUST FAN



FEATURES:

- ROOF MOUNTED FANS
- UL705
- AMCA AIR CERTIFIED
- THERMAL OVERLOAD PROTECTION
- STANDARD BIRD SCREEN
- SAFETY DISCONNECT



FloAire

JOB ** Direct Order # 4452272

LOCATION ,

DATE 7/27/2020

JOB # 4452273

DWG # 2

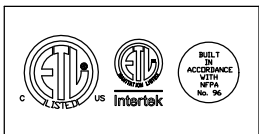
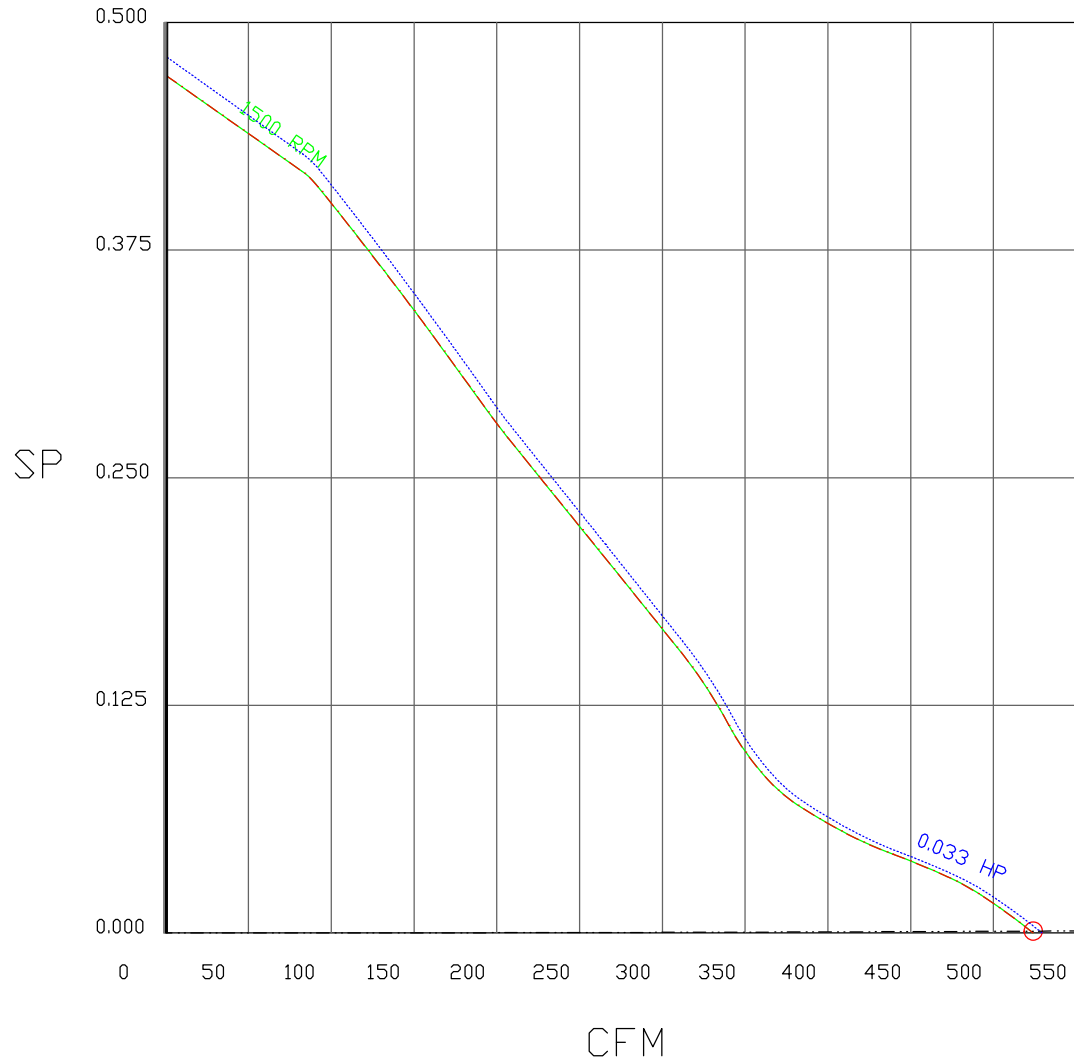
DRAWN BY Cory D. Sc

REV.

SCALE 3/8" = 1'-0"

FAN#1 - EXHAUST PERFORMANCE CURVES.

524 CFM, 0.001 SP @ 1500 RPM and 0.032 BHP at 0 feet and 70 deg F
 * Please note that these curves were adjusted for job specific temperature and altitude.



FloAire

JOB ** Direct Order # 4452272	
LOCATION ,	
DATE 7/27/2020	JOB # 4452273
DWG # 3	DRAWN BY Cory D. Sc
REV.	SCALE 3/8" = 1'-0"

Exhaust Fan Wiring

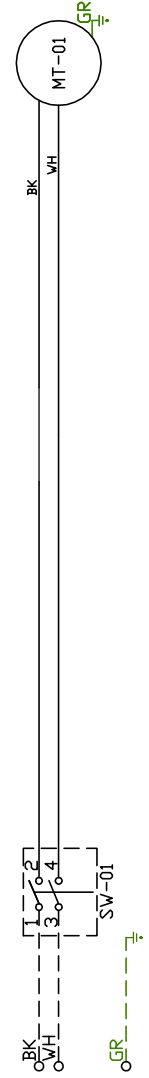
JOB 4452273 - ** Di...

DRAWING NUMBER EXH4452273-1

SHIP DATE 7/27/2020

MODEL DDAR10

Installed Options



Label	Description	Location
MT-01	Fan Motor	[3]
SW-01	Main disconnect switch	[3]

MOTOR_INF0	MOTOR_INF1
EXHAUST	0.033HP-115V-1P-11FLA

ELECTRICAL INFORMATION
MOTOR/CTRL MCA: 1.4A
MOTOR/CTRL MOP: 15A

NOTES
--- DENOTES FIELD WIRING
___ DENOTES INTERNAL WIRING

WIRE COLOR

- BK - BLACK
- BL - BLUE
- BR - BROWN
- OR - ORANGE
- RD - RED
- WH - WHITE
- YW - YELLOW
- GR - GREEN
- GY - GRAY
- PR - PURPLE
- PK - PINK

1

2

3

4

5

6

7

8

9

10

11

12

13

14

15

16

17

18

19

20

21

22

23