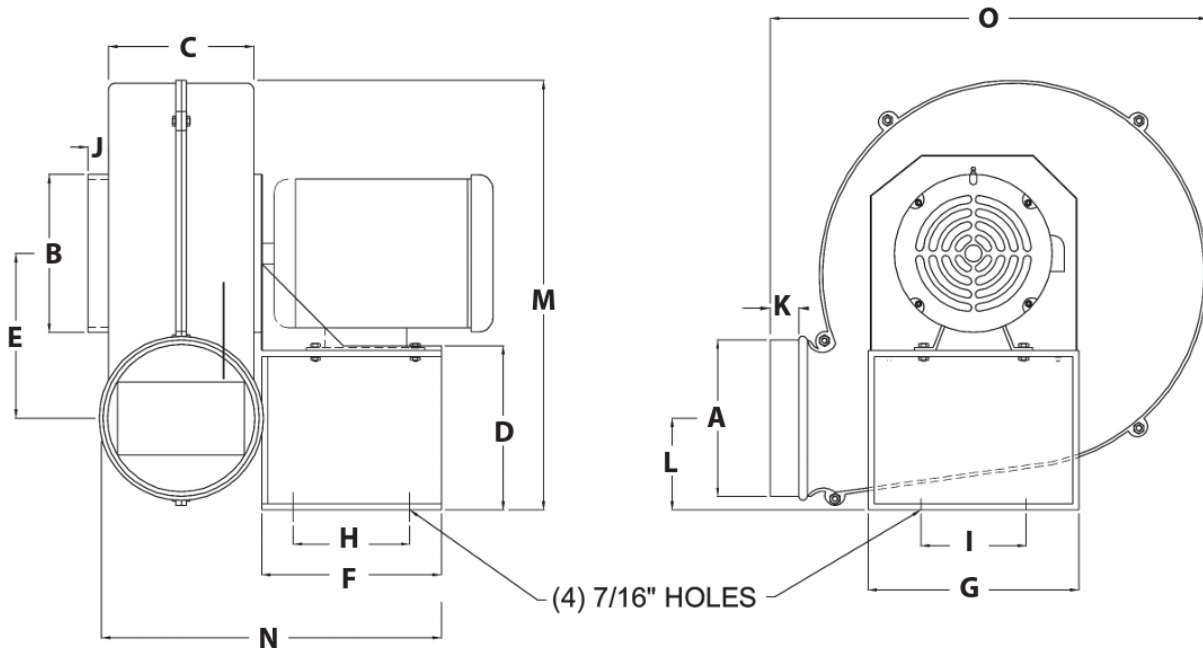


Designed for use in situations where low volumes of air flow are required at relatively low static pressures. Excellent for removal of welding smoke and fumes for spot cooling of electronic equipment.

FEATURES

- Cast aluminum spark resistant housings
- Forward curved squirrel cage type steel wheels provide efficient, quiet performance
- Round outlets and inlets facilitate connection to standard pipe and duct diameters with slip fit connections or flange to flange
- Only available in clockwise rotation with four discharge positions available
- Standard construction meets AMCA Type C spark resistant requirements
- Suitable for use in air streams in a maximum of 150° Fahrenheit



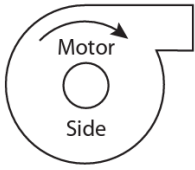
DIMENSIONS

Model	A	B	C	D	E	F	G	H	I	J	K	L	M	N	O
NADB4	4"	4-7/8"	4"	5"	2-3/4"	7"	6-7/8"	4-5/16"	4-1/4"	15/16"	15/16"	5-3/4"	12-1/2"	13-1/8"	9-1/8"
NADB6	6"	5-7/8"	4-5/8"	5"	4-1/4"	7"	6-7/8"	4-5/16"	4-1/4"	1-1/16"	7/8"	4-1/4"	13-1/2"	14-1/4"	11-3/4"
NADB8	7-7/8"	7-13/16"	5-3/4"	7-15/16"	5-3/8"	8-1/2"	8-3/8"	6-1/2"	6-1/2"	1-1/8"	15/16"	5-5/8"	17-7/8"	16-5/8"	14"

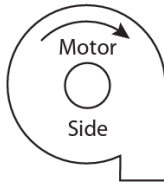
PERFORMANCE DATA

Wheel Diameter	Model	RPM	1/4" SP		1/2" SP		3/4" SP		1" SP		1-1/2" SP		2" SP		2-1/2" SP		3" SP		3-1/2" SP		4" SP		
			CFM	BHP	CFM	BHP	CFM	BHP	CFM	BHP	CFM	BHP	CFM	BHP	CFM	BHP	CFM	BHP	CFM	BHP	CFM	BHP	CFM
4-3/4"	NADB4	1725	210	0.04	132	0.02	-	-	-	-	-	-	-	-	-	-	-	-	-	-	-	-	-
4-3/4"	NHADB4	3450	500	0.38	470	0.34	440	0.32	420	0.30	360	0.26	260	0.16	-	-	-	-	-	-	-	-	-
6-1/4"	NLADB6	1140	248	0.06	960	0.02	-	-	-	-	-	-	-	-	-	-	-	-	-	-	-	-	-
6-1/4"	NADB6	1725	440	0.18	370	0.14	300	0.11	-	-	-	-	-	-	-	-	-	-	-	-	-	-	-
6-1/4"	NHADB6	3450	900	1.45	870	1.40	850	1.35	820	1.30	780	1.20	730	1.15	660	1.00	580	0.90	470	0.80	390	0.70	-
8-1/2"	NLADB8	1140	860	0.26	720	0.18	600	0.15	-	-	-	-	-	-	-	-	-	-	-	-	-	-	-
8-1/2"	NADB8	1725	1550	1.15	1500	1.05	1490	1.00	1400	0.90	1200	0.85	950	0.70	-	-	-	-	-	-	-	-	-

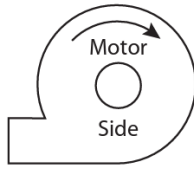
DISCHARGE POSITIONS



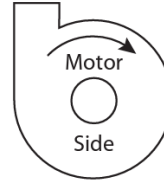
Clockwise Top
Horizontal
Discharge



Clockwise
Down-Blast
Discharge

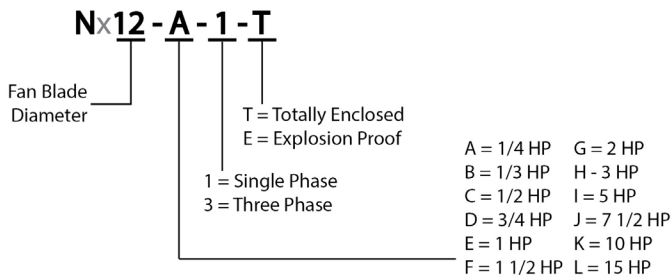


Clockwise Bottom
Horizontal
Discharge



Clockwise
Up-Blast
Discharge

MODEL NUMBER SCHEMATIC



OPTIONAL ACCESSORIES

- Cast aluminum inlet or outlet flanges
- Slide gate dampers for inlet or outlet
- Motor weather cover for outdoor service
- Inlet filters
- Inlet and outlet guards