

CEILING FAN INDB-DC

QuickStart Guide



FULL MANUAL



www.ves-artex.com | 1.888.622.2999
SAVE THIS MANUAL FOR FUTURE REFERENCE

SAFETY PRECAUTIONS

WARNING

Make certain crimps on the safety loop are secure. Make certain the safety cable is attached properly to the hook or a structural member. Failure to comply with instructions could result in personal injury and/or property damage.

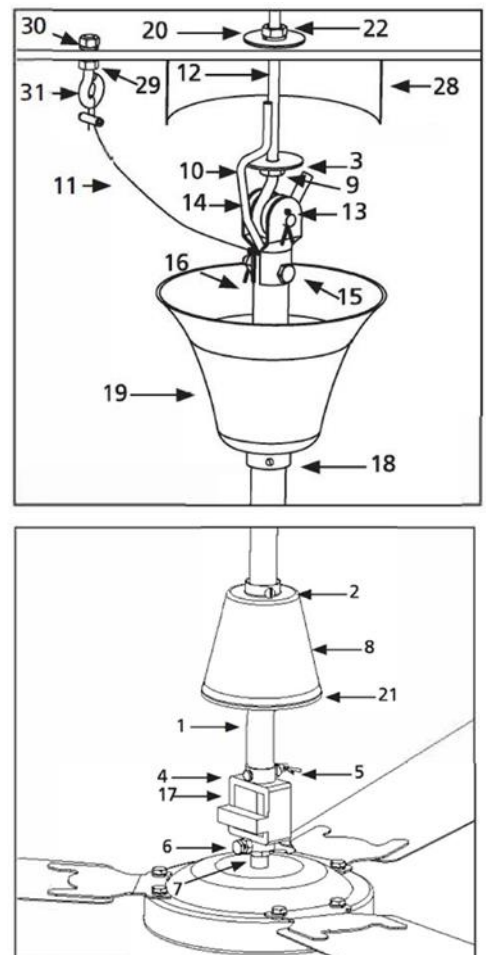
Note: See the complete product manual for the safety and warranty information.

MECHANICAL INSTALLATION

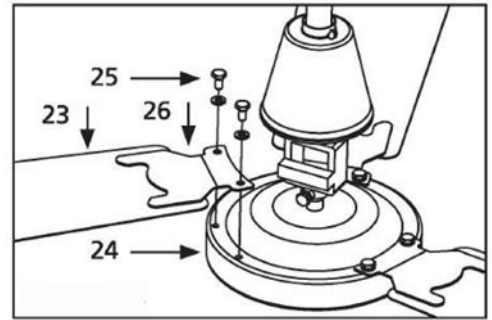
Note: See the complete product manual for the safety and warranty information.

FAN ASSEMBLY & INSTALLATION

1. Wind one nut (9) down to the bottom of the J-hook (12) towards the curve.
2. Add a lock washer and then a flat washer (3) on top of the nut (9).
3. Drill a 5/32" pilot hole for the safety hook (31) within a 12" radius of the J-hook (12) as support for the fan.
4. Wind one nut (29) down to the bottom of the safety hook towards the loop.
5. Add a lock washer (30) and slide the safety hook through the pilot hole.
6. Slide the lock washer (30) on the top side of the safety hook and add a nut (29).
7. Tighten so the lock washer on the top and bottom of the structure are secure.
8. Drill a 1/2" pilot hole for the J-hook.
9. Put the J-hook (12) through the pilot hole in the joist.
10. Add a flat washer then a lock washer (20) and a nut (22). Do not tighten completely until the fan is put in place on the J hook. A lubricant should not be used on the single mounting screw and the pilot hole should not be drilled larger than the diameter of the mounting screw thread. At least 38mm (1-1/2") of the threaded part of the mounting screw should be secured into a structural joist to provide secure mounting.



11. Loosen the set screw (18) on the top canopy (19) on the fan's down rod (1) and lower the canopy to make room to place the rubber grommet (14) onto the mounting hook.
12. Tighten the top nut (22) on the J-hook to raise the fan into the proper installation position.
13. Ensure power to the outlet box is off before hooking up the wiring (10).
14. Wire the fan according to NEC, CEC, and local electrical codes.
15. After making the wire connections, the wire should be spread apart with the grounded conductor and the equipment-grounding conductor on one side of the outlet box and the ungrounded conductor on the other side of the outlet box. Splices should be turned upward and pushed carefully up into the outlet box.
16. Raise the top canopy (19) up the down rod to cover the hook.
17. Leave a 1/8" gap between the top canopy (19) and the hanging surface while maintaining the down rod's centered position. The gap between the canopy and the mounting surface ensures the fan's vibrations are not transferred to the mounting surface.
18. Tighten the set screw (18).
19. Attach blades (23) to the motor (24) with the blade bolts (25). The blade (24) should be positioned below the blade arm bracket (26) when attaching to the motor to ensure proper airflow and direction.

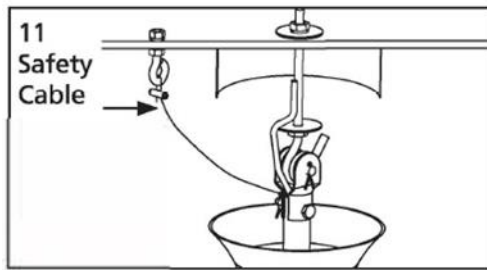


Note: When installed properly, the blades will hang 10' above the floor level. The J-hook and nut adjustment must be done so that the blades will be a minimum of 12" from the ceiling. If your ceiling is less than 12' then the hook and down rod must be recessed into the ceiling so that the blades are mounted 10' above the floor level to meet OSHA standards. These fans are designed to have the blades at a height greater than 10' from the floor and should never be mounted with the blades lower than the 7' OSHA standard for unguarded fans.

CHANGING THE DOWN ROD LENGTH

1. Loosen and remove the bolt, cotter pin, and nut (16).
2. Slide the top canopy (19) and the lower canopy off the down rod (1) and over the wires and safety cable.
3. Loosen the set screw (4), remove the cotter pin (5), and slide the down rod (1) over the wires and safety cable.
4. Take the replacement down rod and complete the previous three steps in reverse order.
5. Slide the replacement down rod over the wire and safety cable and insert it into the yoke (17).
6. Insert cotter pin (5) through the yoke and down rod making certain you do not damage the wires.
7. Once the cotter pin is in place, re-insert the split pin and bend the longer side backward so the cotter pin will not slide out.
8. Tighten the set screws (4) to 10 ft/lbs. of torque.

- Slide the lower canopy (8) over the wires, safety cable (11), and down rod (1) until it sits on top of the yoke (17) and tightens the set screw (2).



- Slide the top canopy (19) over the wires, safety cable, and down rod. Do not tighten the set screw (18).
- Attach the rubber grommet (14) and support bracket (15) to the top of the down rod using the bolt, cotter, and nut (16). Make certain you do not damage the wires inside the down rod.
- Tighten the nut to 10 ft/lbs. of torque and then re-insert the split pin and bend the longer side backward so the pin will not slide out.
- Return to the assembly and installation instructions to complete installation.

Note: The J-hook and nut adjustment must be done so that the blades will be a minimum of 12" from the ceiling. If your ceiling is less than 12' then the hook and down rod must be recessed into the ceiling so that the blades are mounted 10' above the floor level to meet OSHA standards. These fans are designed to have the blades at a height greater than 10' from the floor and should never be mounted with the blades lower than the 7' OSHA standard for unguarded fans.

ELECTRICAL INSTALLATION

Note: See the full installation manual for motor and wiring information.

MOTOR LABEL

56" Fan Models

VES-ARTEX		
Ceiling Fan		CONFORMS TO UL STD.507
Model:IND-B56-MR-3L		CERTIFIED TO CSA STD.C22.2 NO.
120V~ 60Hz 0.46A		60335-1 & 60335-2-8
Date code:11/23		IMPEDANCE-PROTECTED
Made in China		PROTECTION PAR IMPÉDANCE
	5013370	

60" Fan Models

VES-ARTEX		
Ceiling Fan		CONFORMS TO UL STD.507
Model:IND-B60-MR-3L		CERTIFIED TO CSA STD.C22.2 NO.
120V~ 60Hz 0.46A		60335-1 & 60335-2-8
Date code:11/23		IMPEDANCE-PROTECTED
Made in China		PROTECTION PAR IMPÉDANCE
	5013370	

MOTOR WIRING

VES-Artex does not supply the motor-to-control interconnecting wires. These must be supplied by the installer.

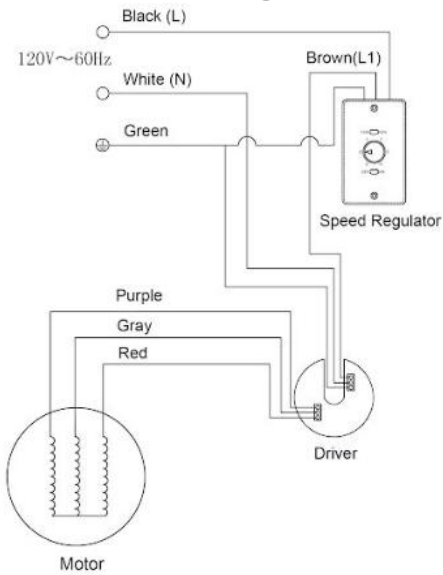
All Electrical work must be completed by a licensed electrician in accordance with all Local and National electrical and safety codes, as well as the National Fire Protection Agency (NFPA) where applicable. Check and make sure all electrical power supplied to the motor is disconnected before completing any work on the fan.

- Ensure that the power to be supplied to the motor matches what is specified on the motor nameplate.
- Remove the motor access cover and follow the wiring diagram located on the motor nameplate or the inside of the motor access cover. If the motor is dual voltage, please follow the wiring instructions that are associated with the power to be supplied to the motor.

Fan Control Wiring



Fan-to-Control Wiring



3 Wires Without Wall Control Circuit Diagram

