

Table with dimensions for Defender Enclosure: Heater KW Rating, W/O Extension, With Extension, B Dimension, W/O Extension, With Extension.

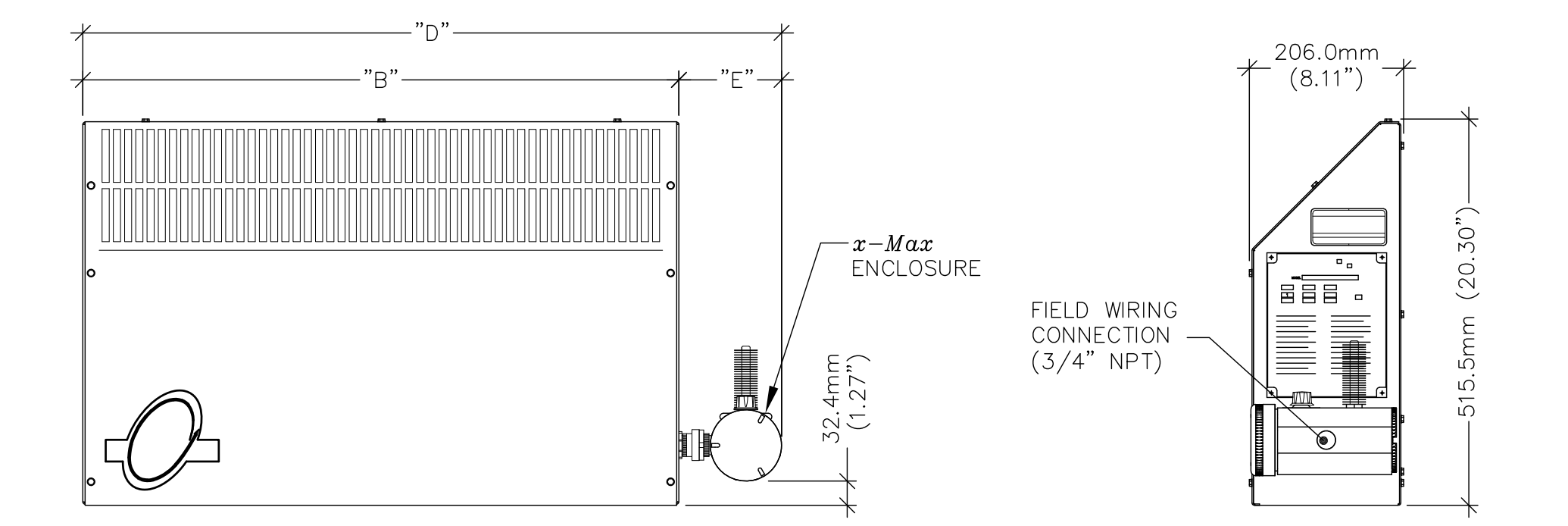
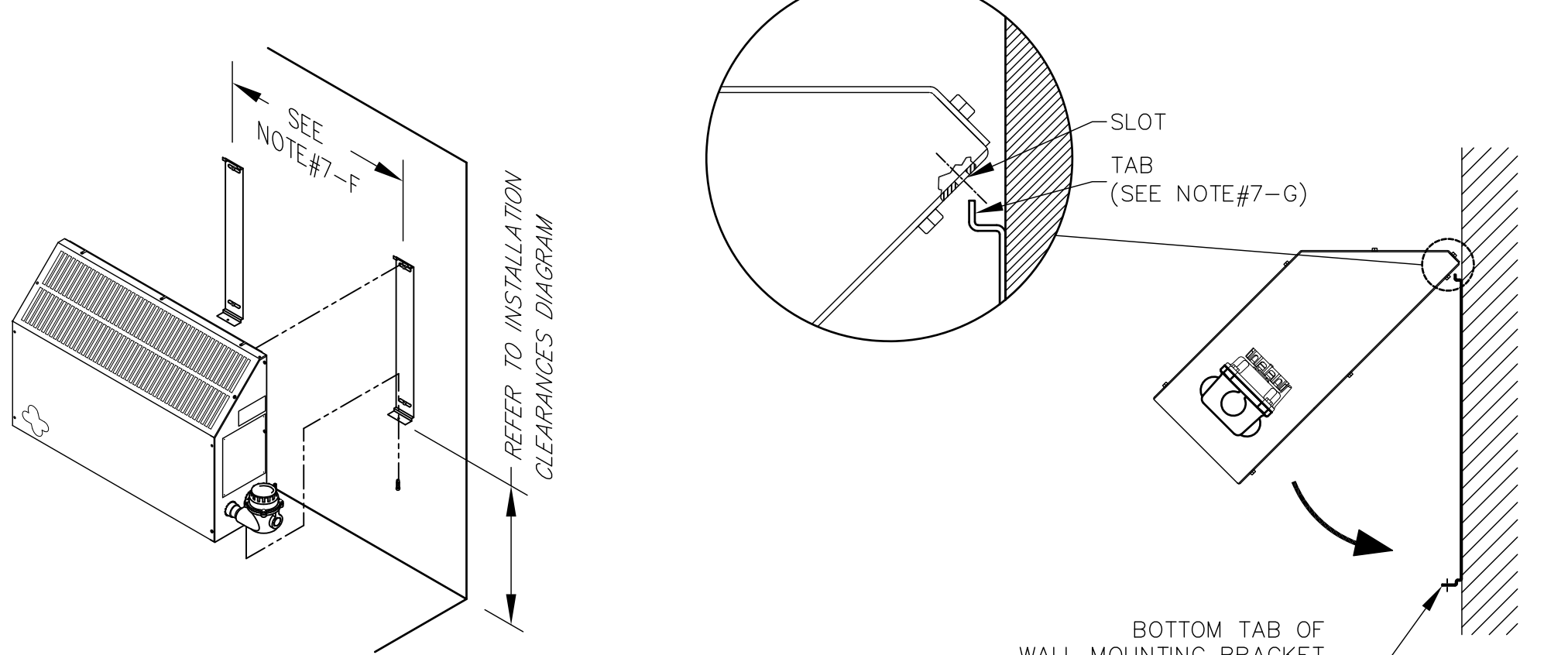
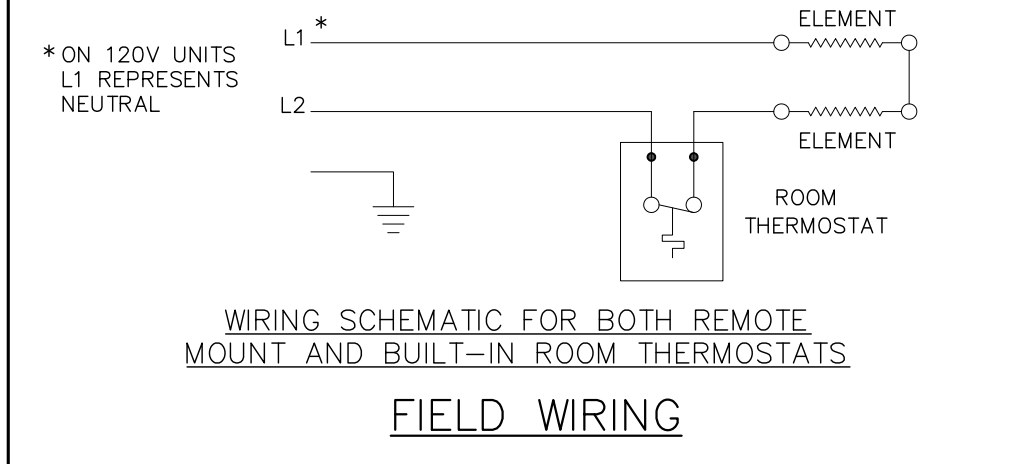
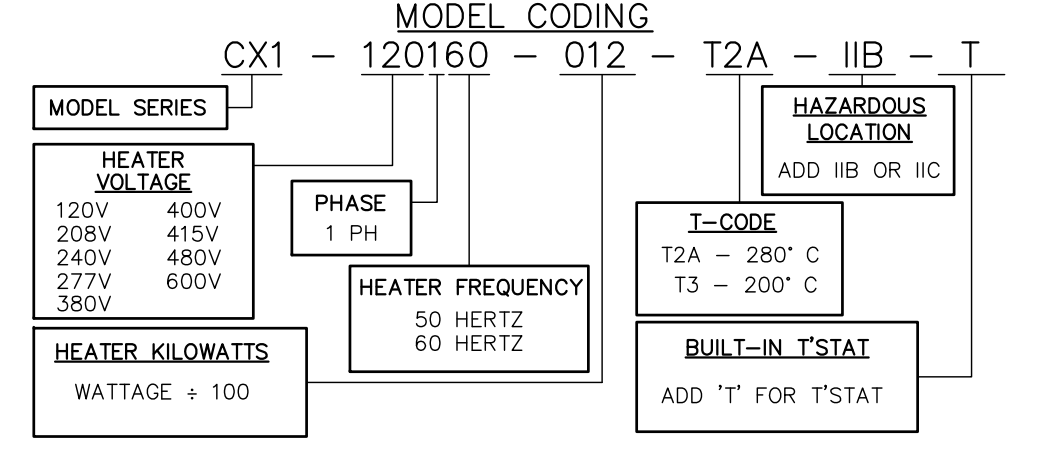
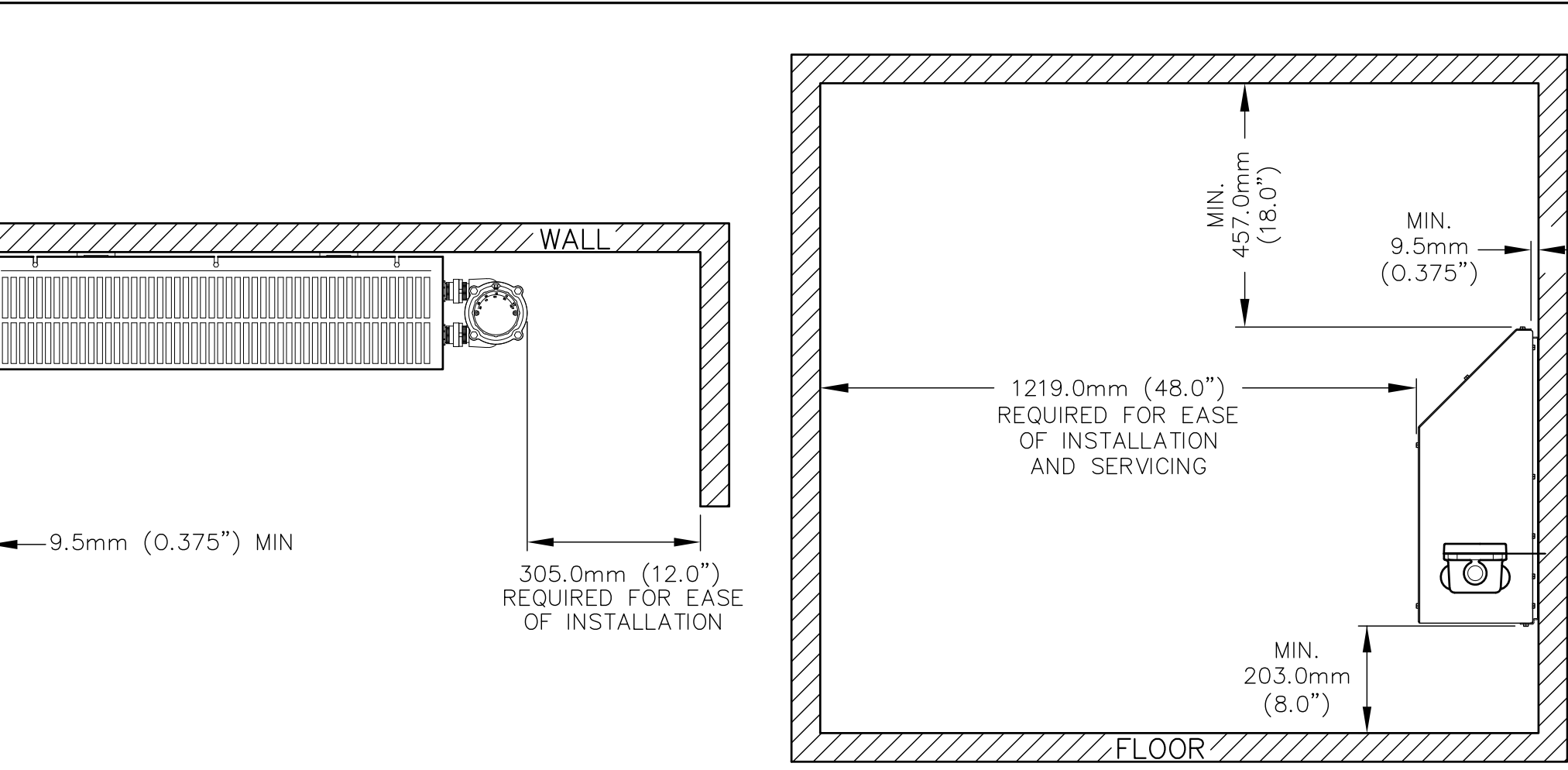


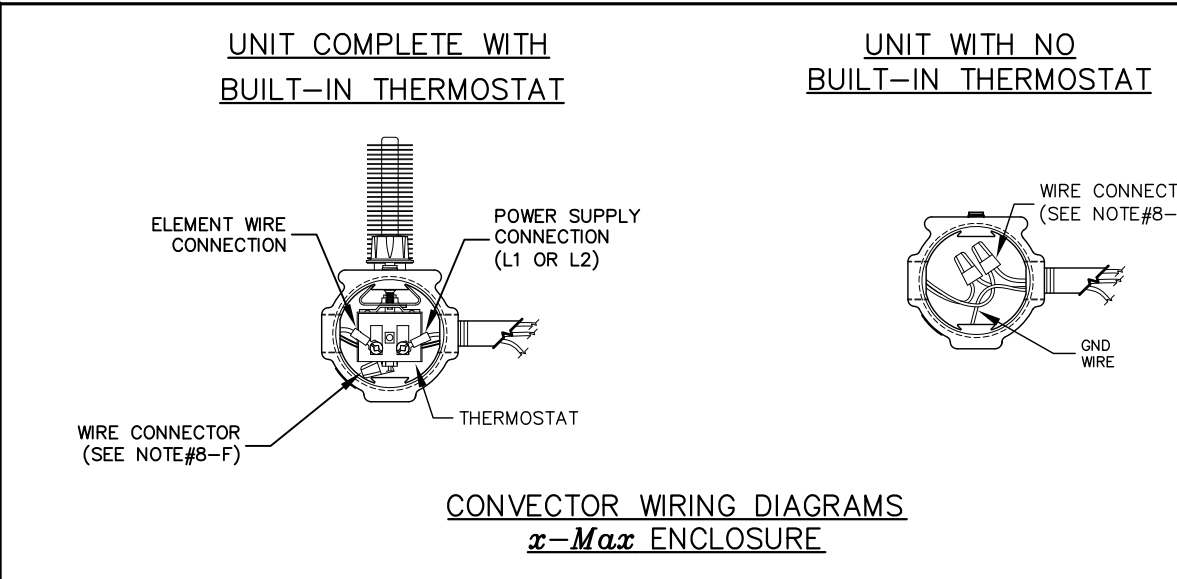
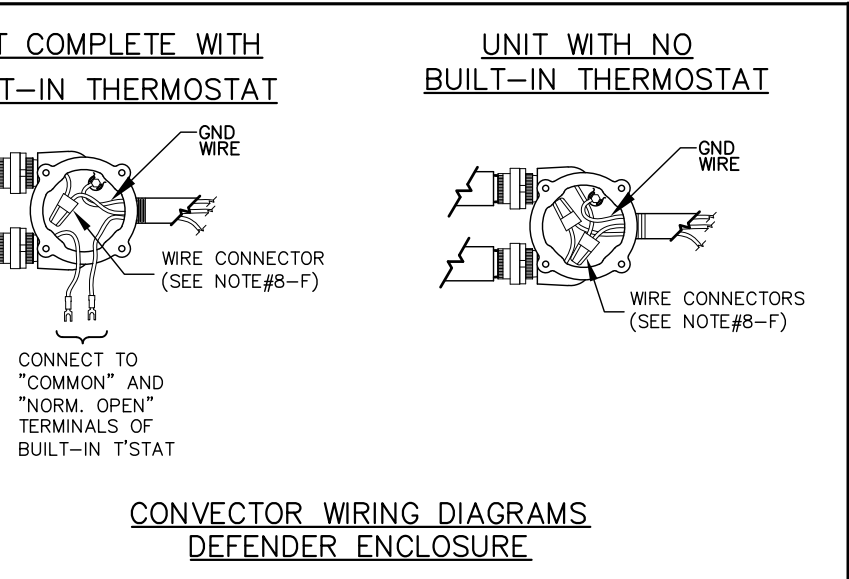
Table with dimensions for x-Max Enclosure: Heater KW Rating, W/O Extension, With Extension, B Dimension, W/O Extension, With Extension.



CONVECTOR MOUNTING DIAGRAMS



INSTALLATION CLEARANCES



Large table containing convector technical data including Model Number, kW, Unit Voltage, Phase, Basic Unit, Gas Group, Supply Wire Size, Unit Current, Maximum Circuit Fuse, Cabinet Length, and Temp. Code.

NOTES:

- 1. TOLERANCES ON ALL DIMENSIONS ARE ±2.0mm [±0.08"] UNLESS OTHERWISE SPECIFIED.
2. WEIGHT: CABINET SIZE, NET, SHIPPING
3. AMBIENT TEMPERATURE LIMITATIONS: OPERATIONAL: -45°C TO 40°C (-49°F TO 104°F)
4. UL LISTING NO.: #E87128
5. CONVECTOR ENCLOSURES HAZARDOUS LOCATION APPROVALS: DEFENDER ENCLOSURE, x-Max ENCLOSURE
6. CABINET PAINT SPEC.: DESCRIPTION - EPOXY SEMI GLOSS, COLOR - RUFFNECK GREEN, etc.
7. HEATER PLACEMENT: HEATER SHOULD BE INSTALLED AS FOLLOWS:
8. FIELD WIRING: A) CONDUIT SEALS ARE REQUIRED WITHIN 152.4mm (6") OF FIELD ENTRIES.
9. BEFORE APPLYING ELECTRICAL POWER: A) CHECK THAT ALL CONNECTIONS ARE SECURE, COMPLY WITH APPLICABLE CODES REQUIREMENTS, etc.

CONVECTOR TECHNICAL DATA, THERMON HEATING SYSTEMS logo, and drawing metadata including DATE, REVISION, DRAWN BY, CHECKED BY, SCALE, DATE, TITLE, DRAWING NO., and drawing number 51041-D.