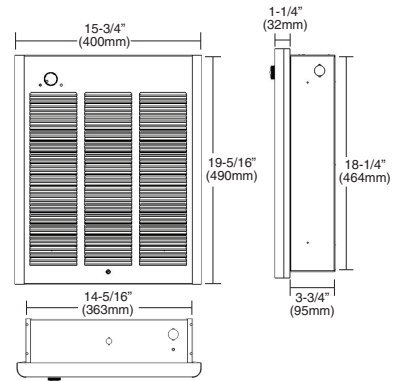




# WHB3000 Series Fan Forced Electric Wall Heaters



## Installation, Operation & Maintenance Instructions

Table 1. Specifications

Model Number	Volts	Phase	Watts*	Amps	Min. Supply Wire Gauge
WHB3150FC	120	1	1500	12.5	12
WHB3180FC	120	1	1800	15.0	12
WHB3404FC*	240/208	1	4000/3000 2000/1500	16.7/14.5 8.3/7.2	10 12
WHB3407FC*	277/240	1	4000/3000 2000/1500	14.5/12.5 7.2/6.3	12 12
WHB3307FC*	277	1	3000/1500	10.8/5.4	14
WHB3408FC*	208	1	4000/2000	19.2/9.6	10
WHB34083FC	208	3	4000	11.1	14
WHB34043FC	240	3	4000	9.7	14
WHB3504FC	240/208	1	4800/3600	20.0/17.3	10
WHB3507FC	277/240	1	4800/3600	17.3/15	10
WHB3508FC	208	1	4800	23.1	10

\*NOTE: Factory wired for higher wattage, field convertible to half wattage.

Model Number	Volts	Phase	Watts*	Amps	Min. Supply Wire Gauge
WHB35083FC	208	3	4800	13.4	12
WHB35043FC	240	3	4800	11.6	14
WHB3203FC	347	1	2000	5.8	14
WHB3206FC	600	1	2000	3.3	14
WHB3153FC	347	1	1500	4.3	14
WHB3156FC	600	1	1500	2.5	14
WHB3303FC	347	1	3000	8.6	14
WHB3306FC	600	1	3000	5	14
WHB3403FC	347	1	4000	11.5	14
WHB3406FC	600	1	4000	6.7	14
WHB3503FC	347	1	4800	13.8	12
WHB3506FC	600	1	4800	8	14

\*NOTE: Factory wired for higher wattage, field convertible to half wattage.

## IMPORTANT INSTRUCTIONS

⚡ **WARNING** !

WHEN USING ELECTRIC APPLIANCES, BASIC PRECAUTIONS SHOULD ALWAYS BE FOLLOWED TO REDUCE THE RISK OF FIRE, ELECTRIC SHOCK, AND INJURY TO PERSONS, INCLUDING THE FOLLOWING:

- Read all instructions before installing or using this heater.
- This heater is hot when in use. To avoid burns, do not let bare skin touch hot surfaces. Keep combustible materials, such as furniture, pillows, bedding, papers, clothes, etc. and curtains at least 3 feet (0.9 m) from the front of the heater.
- Extreme caution is necessary when any heater is used by or near children or invalids and whenever the heater is left operating and unattended.
- Do not operate any heater after it malfunctions. Disconnect power at service panel and have heater inspected by a reputable electrician before using.
- Do not use outdoors.
- To disconnect heater, turn controls to off, and turn off power to heater circuit at main disconnect panel.
- Do not insert or allow foreign objects to enter any ventilation or exhaust opening as this may cause an electric shock, fire, or damage to the heater.
- To prevent a possible fire, do not block air intake or exhaust in any manner.
- A heater has hot and arcing or sparking parts inside. Do not use it in areas where gasoline, paint, or flammable liquids are used or stored.
- Use this heater only as described in this manual. Any other use not recommended by the manufacturer may cause fire, electric shock, or injury to persons.
- This heater is intended for comfort heating applications and not intended for use in special environments. Do not use in damp or wet locations such as marine or greenhouse or in areas where corrosive or chemical agents are present.
- When installing, see INSTALLATION INSTRUCTIONS for additional warnings and precautions.
- For safe and efficient operation, and to extend the life of your heater, keep your heater clean - See MAINTENANCE INSTRUCTIONS.

**SAVE THESE INSTRUCTIONS**

# INSTALLATION INSTRUCTIONS

## ⚠ WARNING ⚠

To prevent a possible fire, injury to persons or damage to the heater, adhere to the following:

1. Disconnect all power coming to heater at main service panel before wiring or servicing.
2. All wiring procedures and connections must be in accordance with the National and Local Codes having jurisdiction and the heater must be grounded.
3. Power supply must enter back box through the knockouts in the RIGHT side of box(see Figure 1). See also TOP marking on the back box for proper orientation.
4. Verify the power supply voltage coming to heater matches the ratings as shown on the heater nameplate.

**CAUTION:** ENERGIZING HEATER AT A VOLTAGE GREATER THAN THE VOLTAGE PRINTED ON THE NAMEPLATE WILL DAMAGE THE HEATER AND VOID THE WARRANTY AND COULD CAUSE A FIRE.

5. **CAUTION** - High temperature, risk of fire, keep electrical cords, drapery, furnishings, and other combustibles at least 3 feet (0.9 m) from front of heater. Do not install heater behind doors, below towel racks, in the ceiling or in an area where it is subject to being blocked by furniture, curtains or storage materials. Hot air from the heater may damage certain fabrics and plastics.
6. To reduce the risk of fire, do not store or use gasoline or other flammable vapors and liquids in the vicinity of the heater.
7. This heater is to be mounted only using back box and may be installed with the back box recessed or surface mounted as described within this manual.
8. The following minimum clearances must be maintained:
  - Bottom of heater to floor - 8" (203 mm).
  - Sides of heater to adjacent wall - 8" (203 mm).
  - Top of heater to ceiling - 36" (915 mm).
9. Do not operate the heater without the grille installed.
10. Do not use this heater for dry out as the paint, plaster, sawdust and drywall sanding dust will permanently damage the heater and must be kept out of the heater.

**NOTE:** This heater has a continuous fan-only feature. See page 4, **Operation Instructions**, step #4 for details.

### Installation of Back Box in New Construction

#### 1. Mounting Back Box (See Figure 1).

- a. Place the back box between two 16" (406 mm) center-to-center wall studs at the desired mounting height but no closer than 8" (203 mm) to adjacent wall or floor.

**NOTE:** If wall studs are spaced greater than 16" on center, additional framing supports may be necessary.

- b. Align back box such that the bottom and sides will be flush with finished wall surface (top flange of back box should protrude approximately 1/2" (12.7 mm) from finished wall surface).
- c. Secure the back box in position with wood screws or nails as shown in Figure 1.

**Not for ceiling mount.**

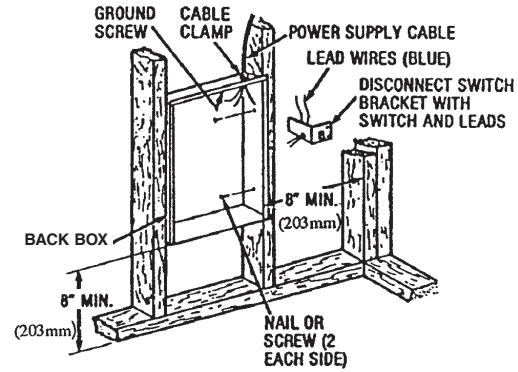


Fig. 1: Locating Recessed Back Box in New Construction

#### 2. Power Supply Wiring (See Figure 1)

**NOTE:** Wire compartment volume - 119 in<sup>3</sup> (1950 cm<sup>3</sup>).

- a. Run a power supply cable into the knockout area in the upper right hand corner of the back box. All wiring must be in accordance with National and Local Electrical Codes. Refer to Table 1, page 1 for correct wire size.
- b. Remove disconnect switch bracket by loosening two screws on the right side.
- c. Install a cable clamp in the knockout in the top of the back box.
- d. Insert power supply cable through cable clamp, allowing at least 6" (152 mm) of leads to extend inside the back box. Connect the blue lead wires of disconnect switch to the supply wire leads using wire connectors (see Wiring Diagrams, page 5).
- e. Ground the back box by connecting the supply ground lead wire to the green ground screw located in the inside top of the back box.
- f. Secure disconnect switch bracket in place by tightening screws.

### Installation of Back Box in Existing Construction

1. Provide a wall opening 14-1/2" (362 mm) wide by 18-1/2" (470 mm) high at the desired mounting height, but no closer than 8" (203 mm) to adjacent wall or floor. (See Figure 2.)

**NOTE:** Locate so at least one side of opening is at wall stud.

#### 2. Power Supply Wiring

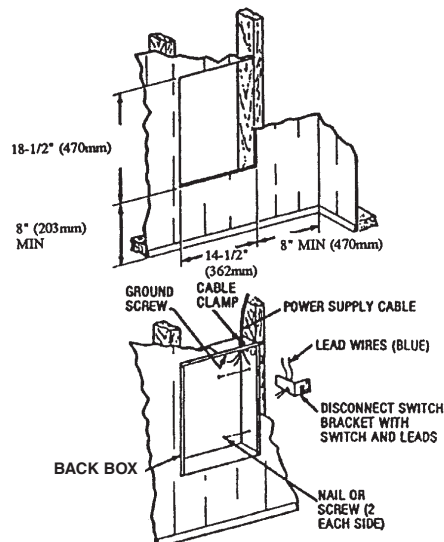


Fig. 2: Locating Recessed Back Box in Existing Construction

**NOTE:** Wiring Compartment Volume - 119 in<sup>3</sup> (1950 cm<sup>3</sup>).

- Run a power supply cable into the area above the top of the wall opening. All wiring must be in accordance with National and Local electrical codes. Refer to Table 1, page 1 for correct wire size.
- Remove disconnect switch bracket by loosening the two screws on the right side.
- Install a cable clamp in the knockout in the top of wall back box.
- Insert power supply cable through cable clamp, allowing approximately 6" (152 mm) of cable length to remain inside the back box to facilitate connections.

### 3. Mounting Back Box

- Place the back box into wall opening flush with finished wall surface on bottom and sides of box. (Top flange of backbox should protrude approximately 1/2" or 12.7 mm from finished wall surface).
- Secure the back box in place with wood screws or nails.

### 4. Wiring Disconnect Switch

- Connect the power supply wires to the blue wires of the disconnect switch using wire connectors (see Wiring Diagrams, page 5)
- Ground the back box connecting the supply ground lead wire to the green ground screw located in the inside top of the back box.
- Secure disconnect switch bracket in place by tightening screws.

## Installation of Back Box With Surface Mounting Frame

### See Figure 3

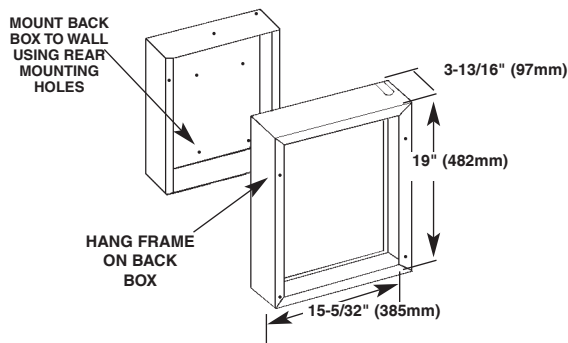
- Secure back box to wall with knockouts in upper right hand corner using screws and anchors.
- Hang the surface-mounting frame on the back box. Ensure that the back edge of the surface-mounting frame is flush against the wall.

**NOTE:** If heater is located in a high traffic area where it may be subjected to vandalism or abuse, take extreme care to see that the box is firmly attached to the wall.

### 3. Power Supply Wiring

**NOTE:** Wiring Compartment Volume - 119 in<sup>3</sup> (1950 cm<sup>3</sup>).

- Run a power supply cable into the area of the upper right corner of the mounting frame. Arrangement of wiring to this point must be in accordance with National and Local codes. Refer to Table 1 page 1 for proper wire size.



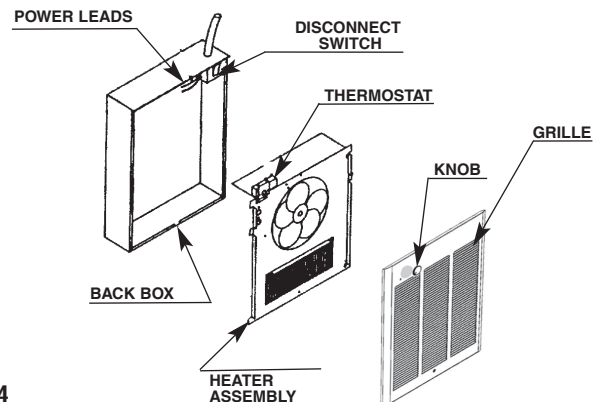
**Fig. 3: Surface Mounting Installation**

**NOTE:** If the wiring is to run through the wall, cut a hole in the area of the top of the wall box. Run the supply wire through this hole. Then remove the "knockout" from the top of the box and proceed to step C.

- Remove the knockout on the top side of the frame.
- Remove disconnect switch bracket by loosening the two screws on the right side.
- Feed the power supply cable through the frame allowing 6" (152 mm) of lead to remain inside the back box.
- Secure the power supply cable to the back box (using cable clamp, connector, or other suitable strain relief) allowing 6" (152 mm) of lead to remain inside the back box.
- Connect supply wires to blue wires of disconnect switch using wiring connectors (see Wiring Diagrams, page 5).
- Ground the back box by connecting the supply ground leadwire to the green ground screw located in the inside top of the back box.
- Secure disconnect switch bracket in place.

## Installation of Heater Assembly and Grille

After back box is completely installed and no further construction dirt is expected, clean debris from back box, remove heater assembly from its carton, then refer to Figure 4 and proceed as follows:



**Fig. 4**

- Insert the heater assembly into back box, placing the four mounting holes (with key-hole slots) over the screws in the back box. Tighten all screws securely.
- If surface-mounting frame is used, ensure that the frame is even with all four heater assembly tabs before tightening screws.
- Connect the two ON/OFF switch wires to the heater control switch (thermostat) leads using wire nuts. After connection, push wires back into the opening.
- Turn thermostat to the extreme counterclockwise position.
- Push ON/OFF switch into ON position.
- Mount the grille tabs over back box flange (top).
- Insert screw through bottom hole on grille. The screw threads into the hole on fan panel. Tighten screw until grille is flush to wall (or surface mount frame). **Be careful, do not overtighten.**
- Push thermostat knob onto thermostat shaft.

# OPERATING INSTRUCTIONS

1. Heater must be properly installed before operation.
2. Rotate the thermostat knob fully clockwise. This should energize the heating elements and fan causing warm air to flow from the hot air discharge at the openings in the bottom of the grille. (see note 5)
3. After the operation check, rotate the thermostat knob to the desired position to obtain room comfort.
4. For continuous fan-only operation (heating elements will not be energized), slowly rotate the thermostat knob clockwise until you hear the fan operate (about 30 degrees from the OFF point).
5. There will be a short delay from the time the unit is turned on until the fan engages. This is to allow the elements time to warm up. The fan will also continue to run once the unit is turned off to allow the elements time to cool.

**NOTE:** For best results, the heater should be left "ON" constantly during the heating season because the thermostat, when properly set, will maintain the desired temperature.

## How To Reset Manual Thermal Overheat Protector Control:

Your heater is equipped with a manual reset thermal overheat protector control that will automatically turn the heater off to prevent a fire if the heater overheats. This control is located on the fan panel assembly between the element and fan blade and marked "RESET". The red reset button can be seen through the front grille when the heater is installed. To reset, allow the heater to cool, then push the red button that is visible through the hole in the fan panel. The heater should immediately return to normal operation.

### **WARNING**

DO NOT TAMPER WITH OR BYPASS ANY SAFETY LIMITS INSIDE HEATER.

### **CAUTION**

CAUTION - DO NOT CONTINUE TO ATTEMPT TO USE THE HEATER IF THE SAFETY CONTROL REPEATEDLY OPERATES AFTER BEING RESET. TO DO SO COULD PERMANENTLY DAMAGE THE HEATER OR CREATE A FIRE OR SAFETY HAZARD.

# MAINTENANCE INSTRUCTIONS

It is important to keep this heater clean. Your heater will give you years of service and comfort with only minimum care. To assure efficient operation follow the simple instructions below.

### **WARNING**

ALL SERVICING BEYOND SIMPLE CLEANING THAT REQUIRES DISASSEMBLY SHOULD BE PERFORMED BY QUALIFIED SERVICE PERSONNEL.

### **WARNING**

TO REDUCE RISK OF FIRE AND ELECTRIC SHOCK OR INJURY, DISCONNECT ALL POWER COMING TO HEATER AT MAIN SERVICE PANEL AND CHECK THAT THE ELEMENT IS COOL BEFORE SERVICING OR PERFORMING MAINTENANCE.

## User Cleaning Instructions:

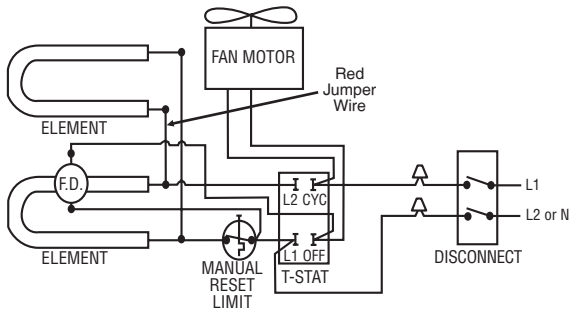
1. After the heater has cooled, a vacuum cleaner with brush attachment may be used to remove dust and lint from exterior surfaces of the heater including the grille openings.
2. With a damp cloth, wipe dust and lint from grille and exterior surfaces.
3. Return power to heater and check to make sure it is operating properly.

## Maintenance Cleaning Instructions:

*(To be performed only by Qualified Service Personnel)*

At least annually, the heater should be cleaned and serviced by a qualified service person to assure safe and efficient operation. This should include the removal of the grille and, as necessary the heater from the backbox to clean residue from the unit. After completing the cleaning and servicing, the heater should be fully reassembled and checked for proper operation.

## Wiring Diagrams

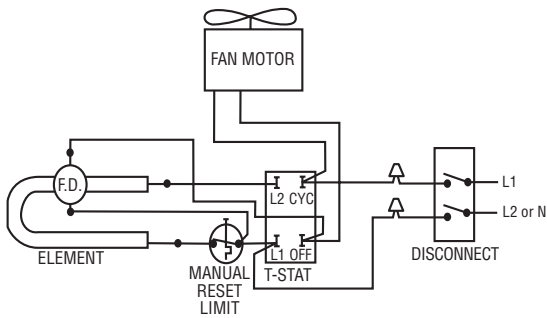


### Wiring Diagram 1:

#### 1500, 1800, 4800, 4000, & 3000 Watt Heaters

120V, 208V, 240V, or 277V (Full wattage heaters can be converted to half wattage by removing the red jumper wire connecting the top and bottom element terminals.) See Wiring Diagram 6 for 4800W, 208V.

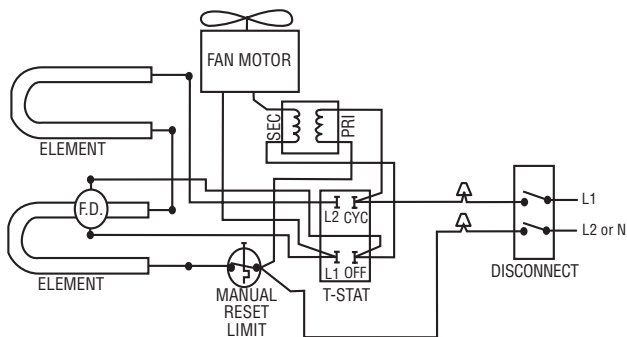
**NOTE:** Conversion to half wattage not applicable to WHB3150FC and WHB3180FC.



### Wiring Diagram 2:

#### 2000 & 1500 Watt Heaters

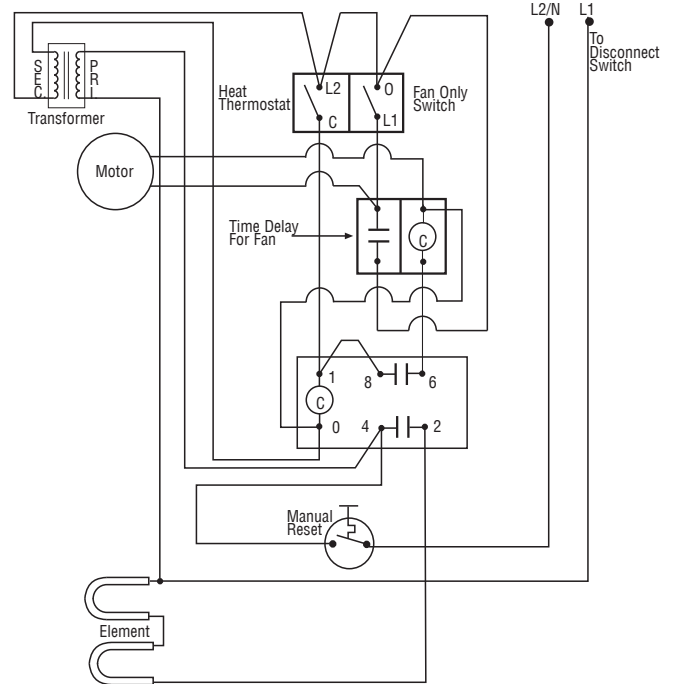
208V, 240V, OR 277V



### Wiring Diagram 3:

#### 4800, 4000, & 3000 Watt Heaters

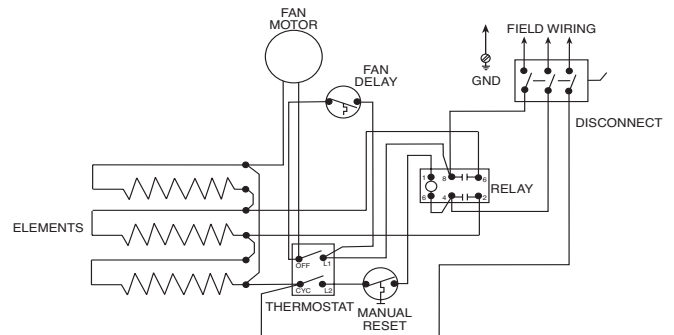
347V, 600V



### Wiring Diagram 4:

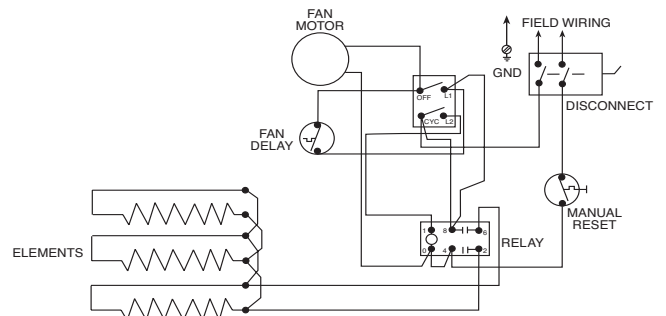
#### 1500/2000 Watt Heaters

347V, 600V



### Wiring Diagram 5:

#### Three Phase Wall Heaters



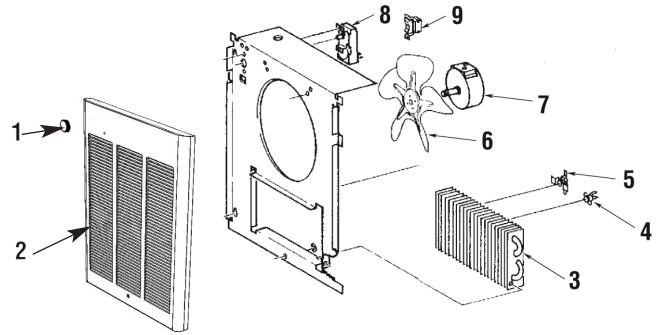
### Wiring Diagram 6:

#### 4800 Watt Single Phase Heaters

208V

## Replacement Parts

Key No.	Description	Part Number	
1	Knob	3301-11014-001	
2	Grille	1016-11226-000	
3	Element:		
	WHB3208FC	208V/2000W	302015801
	WHB3408FC	208V/4000W	302012807
	WHB34083FC	208V/4000W/ 3Ph.	1802-2075-800
	WHB3508FC	208V/4800W	1802-2075-801
	WHB35083FC	208V/4800W/3Ph.	1802-2075-801
	WHB3204FC	240V/2000W	302015802
	WHB3404FC	240V/4000W	302012808
	WHB34043FC	240V/4000W/3Ph.	1802-2075-802
	WHB3504FC	240V/4800W	302012810
	WHB35043FC	240V/4800W/3Ph.	1802-2075-803
	WHB3157FC	277V/1500W	302015806
	WHB3207FC	277V/2000W	302015803
	WHB3307FC	277V/3000W	302012806
	WHB3407FC	277V/4000W	302012809
	WHB3507FC	277V/4800W	302012811
	WHB3153FC	347V/1500W	302012824
	WHB3203FC	347V/2000W	302012808
	WHB3303FC	347V/3000W	302012818
	WHB3403FC	347V/4000W	302012821
	WHB3503FC	347V/4800W	302012823
	WHB3156FC	600V/1500W	302012816
	WHB3206FC	600V/2000W	302012818
	WHB3306FC	600V/3000W	302012820
	WHB3406FC	600V/4000W	302012822
	WHB3506FC	600V/4800W	302012824
4	Manual Limit	4520-2017-000	
5	Fan Delay	410740000	
6	Fan Blade	490030103	
7	Motor:		
	120V	3900-2010-003	
	208V	3900-2010-000	
	240V	3900-2010-000	
	277V	3900-2010-001	
	347V	*3900-2010-000	
	600V	*3900-2010-000	
8	Thermostat	5813-2059-000	
9	Disconnect	120V, 208V/1PH, 240V/1Ph., 277V 208V/3Ph., 240V/3Ph., 347V, 600V	410170001 5216-2019-000
10	Motor Transformer	347V Heaters 600V Heaters	5714-2014-001 5814-2014-000



\* See item 10. These heaters use a transformer to convert heater voltage to motor voltage. (Not shown).

### LIMITED WARRANTY

All products manufactured by Marley Engineered Products are warranted against defects in workmanship and materials for one year from date of installation, except heating elements which are warranted against defects in workmanship and materials for five years from date of installation. This warranty does not apply to damage from accident, misuse, or alteration; nor where the connected voltage is more than 5% above the nameplate voltage; nor to equipment improperly installed or wired or maintained in violation of the product's installation instructions. All claims for warranty work must be accompanied by proof of the date of installation.

The customer shall be responsible for all costs incurred in the removal or reinstallation of products, including labor costs, and shipping costs incurred to return products to Marley Engineered Products Service Center. Within the limitations of this warranty, inoperative units should be returned to the nearest Marley authorized service center or the Marley Engineered Products Service Center, and we will repair or replace, at our option, at no charge to you with return freight paid by Marley. It is agreed that such repair or replacement is the exclusive remedy available from Marley Engineered Products.

THE ABOVE WARRANTIES ARE IN LIEU OF ALL OTHER WARRANTIES EXPRESSED OR IMPLIED, AND ALL IMPLIED WARRANTIES OF MERCHANTABILITY AND FITNESS FOR A PARTICULAR PURPOSE WHICH EXCEED THE AFORESAID EXPRESSED WARRANTIES ARE HEREBY DISCLAIMED AND EXCLUDED FROM THIS AGREEMENT. MARLEY ENGINEERED PRODUCTS SHALL NOT BE LIABLE FOR CONSEQUENTIAL DAMAGES ARISING WITH RESPECT TO THE PRODUCT, WHETHER BASED UPON NEGLIGENCE, TORT, STRICT LIABILITY, OR CONTRACT.

Some states do not allow the exclusion or limitation of incidental or consequential damages, so the above exclusion or limitation may not apply to you. This warranty gives you specific legal rights, and you may also have other rights which vary from state to state.

For the address of your nearest authorized service center, contact Marley Engineered Products in Bennettsville, SC, at 1-800-642-4328. Merchandise returned to the factory must be accompanied by a return authorization and service identification tag, both available from Marley Engineered Products. When requesting return authorization, include all catalog numbers shown on the products.

### HOW TO OBTAIN WARRANTY SERVICE AND WARRANTY PARTS PLUS GENERAL INFORMATION

1. Warranty Service or Parts **1-800-642-4328**
2. Purchase Replacement Parts **1-800-654-3545**
3. General Product Information **www.marlymep.com**

**Note:** When obtaining service always have the following:

1. Model number of the product
2. Date of manufacture
3. Part number or description



470 Beauty Spot Rd. East  
Bennettsville, SC 29512 USA



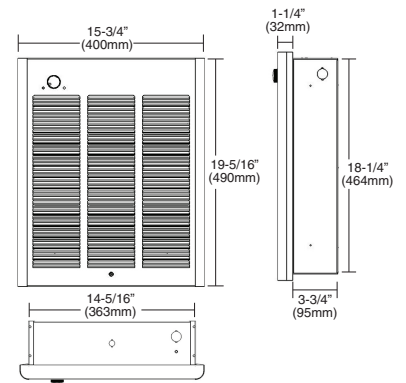






# WHB3000 Series

## Calefactores eléctricos de pared con ventilador



### Instrucciones de instalación, utilización y mantenimiento

Tabla 1. Especificaciones

Número de catálogo	Voltaje	Fases	Potencia	Corriente	Medida mínima del cable de alimentación
WHB3150FC	120	1	1500	12.5	12
WHB3180FC	120	1	1800	15.0	12
WHB3404FC*	240/208	1	4000/3000 2000/1500	16.7/14.5 8.3/7.2	10 12
WHB3407FC*	277/240	1	4000/3000 2000/1500	14.5/12.5 7.2/6.3	12 12
WHB3307FC*	277	1	3000/1500	10.8/5.4	14
WHB3408FC*	208	1	4000/2000	19.2/9.6	10
WHB34083FC	208	3	4000	11.1	14
WHB34043FC	240	3	4000	9.7	14
WHB3504FC	240/208	1	4800/3600	20.0/17.3	10
WHB3507FC	277/240	1	4800/3600	17.3/15	10
WHB3508FC	208	1	4800	23.1	10

\*NOTE: Factory wired for higher wattage, field convertible to half wattage.

Número de catálogo	Voltaje	Fases	Potencia	Corriente	Medida mínima del cable de alimentación
WHB35083FC	208	3	4800	13.4	12
WHB35043FC	240	3	4800	11.6	14
WHB3203FC	347	1	2000	5.8	14
WHB3206FC	600	1	2000	3.3	14
WHB3153FC	347	1	1500	4.3	14
WHB3156FC	600	1	1500	2.5	14
WHB3303FC	347	1	3000	8.6	14
WHB3306FC	600	1	3000	5	14
WHB3403FC	347	1	4000	11.5	14
WHB3406FC	600	1	4000	6.7	14
WHB3503FC	347	1	4800	13.8	12
WHB3506FC	600	1	4800	8	14

\*NOTA: cableado de fábrica para la mayor potencia, puede modificarse en el lugar a la mitad de la potencia.

## INSTRUCCIONES IMPORTANTES



### ADVERTENCIA



CUANDO SE UTILIZAN APARATOS ELÉCTRICOS, SIEMPRE DEBEN SEGUIRSE PRECAUCIONES BÁSICAS PARA REDUCIR EL RIESGO DE INCENDIO, DESCARGAS ELÉCTRICAS Y LESIONES A PERSONAS, ENTRE ELLAS LAS SIGUIENTES:

1. Lea todas las instrucciones antes de instalar o utilizar este calefactor.
2. Este calefactor se calienta cuando está en uso. Para evitar quemaduras, no toque las superficies calientes. Mantenga los materiales combustibles, tales como muebles, almohadas, ropa de cama, papeles, ropa y cortinas a más de 3 pies (0,9 m) del frente del calefactor.
3. Tome precauciones extremas cuando el calefactor sea usado por o cerca de niños o personas con problemas motrices y siempre que el calefactor se deje en funcionamiento sin vigilancia.
4. No utilice el calefactor si ha sufrido desperfectos. Desconecte la energía eléctrica en el panel de suministro y haga revisar el calefactor por un electricista matriculado antes de usarlo.
5. No lo use al aire libre.
6. Para desconectar el calefactor, apague los controles y desconecte el circuito de alimentación del calefactor en el panel eléctrico principal.
7. No inserte ni permita que objetos extraños penetren en las aberturas de entrada o salida de aire del calefactor pues se podría producir una descarga eléctrica, un incendio o averías en el calefactor.
8. Para evitar un posible incendio, no obstruya las entradas o salidas de aire del calefactor de ninguna manera.
9. El calefactor tiene en su interior piezas calientes y que pueden producir arcos o chispas. No use el calefactor en lugares donde se utilizan o almacenan gasolina, pintura o líquidos inflamables.
10. Utilice este calefactor únicamente como se describe en este manual. Cualquier otro uso no recomendado por el fabricante puede causar incendios, descargas eléctricas o lesiones personales.
11. Este calefactor está construido para ofrecer una calefacción adecuada en un ambiente normal y no para ser usado en ambientes especiales. No lo utilice en lugares húmedos o mojados tales como ambientes marinos o invernaderos o en zonas en las que haya elementos corrosivos o productos químicos.
12. Al instalarlo, vea las INSTRUCCIONES DE INSTALACIÓN donde encontrará advertencias y precauciones adicionales.
13. Para lograr un funcionamiento seguro y eficiente, y una mayor vida útil de su calefactor, manténgalo limpio. Vea las INSTRUCCIONES DE MANTENIMIENTO.

**GUARDE ESTAS INSTRUCCIONES**

# INSTRUCCIONES DE INSTALACIÓN

## ⚠ AVERTISSEMENT ⚠

Para evitar la posibilidad de incendios, lesiones personales o averías en el calefactor, cumpla las siguientes indicaciones:

1. Desconecte la alimentación del calefactor en el panel de suministro eléctrico antes de instalarlo o repararlo.
2. Todos los procedimientos de cableado y las conexiones deben cumplir con los códigos nacionales y locales pertinentes y el calefactor debe estar conectado a tierra.
3. La alimentación eléctrica debe entrar a la caja posterior a través de los accesos troquelados en el costado DERECHO de la caja (vea la figura 1). Para orientar correctamente la caja posterior, vea la marca ubicada en su PARTE SUPERIOR.
4. Verifique que el voltaje de alimentación del calefactor coincida con los valores indicados en su placa de identificación.

**PRECAUCIÓN:** SI EL VOLTAJE DE ALIMENTACIÓN DEL CALEFACTOR ES MAYOR QUE EL IMPRESO EN LA PLACA DE IDENTIFICACIÓN, DAÑARÁ EL CALEFACTOR, ANULARÁ LA GARANTÍA Y PODRÍA CAUSAR UN INCENDIO.

5. **PRECAUCIÓN** - alta temperatura, riesgo de incendio, mantenga los cordones eléctricos, cortinas, muebles y otros combustibles por lo menos 3 pies (0,9 m) desde la parte delantera del calentador. No instale el calentador detrás de las puertas, debajo de Toalleros, en el techo o en un área donde está sujeto a ser bloqueados por muebles, cortinas o materiales del almacenaje. El aire caliente de la calefacción puede dañar ciertos tejidos y plásticos.
6. Para reducir el riesgo de incendio, no almacene ni utilice gasolina ni gases o líquidos inflamables cerca del calefactor.
7. Este calefactor se debe montar utilizando únicamente la caja posterior. Se puede instalar con la caja posterior empotrada o sobre la superficie como se describe en este manual.
8. Se deben respetar las siguientes separaciones mínimas:
  - Parte inferior del calefactor al suelo: 8" (203 mm).
  - Lados del calefactor a pared adyacente: 8" (203 mm).
  - Parte superior del calefactor al techo: 36" (915 mm).
9. No utilice el calefactor sin haber instalado la rejilla.
10. No utilice este calefactor para tareas de secado pues la pintura, el yeso, el aserrín y el polvo producido por el lijado de las paredes dañarán permanentemente el calefactor y se debe evitar que estas materias penetren en su interior.

**NOTA:** esta unidad puede funcionar continuamente en modo ventilador, con los elementos calefactores apagados. Vea más detalles en la página 4, **Instrucciones de utilización**, paso n.º 4.

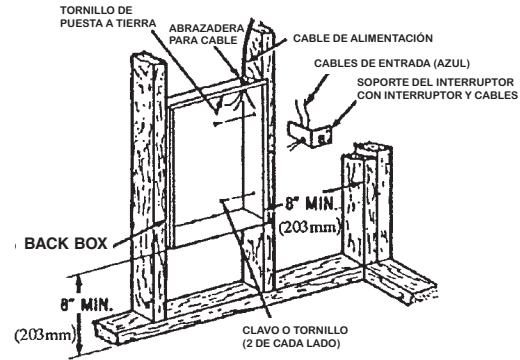
### Instalación de la caja posterior en una construcción nueva

1. Montaje de la caja posterior (vea la figura 1).

- a. Coloque la caja posterior entre dos montantes de la pared que tengan una separación de 16" (406 mm) entre centros, a la altura de montaje deseada, pero separada al menos 8" (203 mm) de la pared adyacente o del piso.

**NOTA:** si los montantes de la pared están separados más de 16" entre centros, podría ser necesario instalar soportes adicionales.

- b. Alinee la caja posterior de manera que sus bordes inferior y laterales queden al ras con la superficie terminada de la pared (la pestaña superior de la caja posterior debe sobresalir aproximadamente 1/2" (12,7 mm) de la superficie terminada de la pared).
- c. Asegure la caja posterior en su posición con tornillos para madera o clavos, como se ilustra en la figura 1.



### Instalación empotrada de la caja posterior en una construcción nueva

2. Cableado de la alimentación (vea la figura 1)

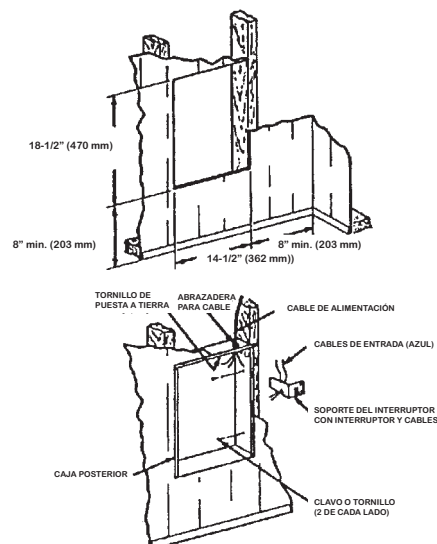
**NOTA:** volumen del compartimento del cableado: 119 pulg.<sup>3</sup> (1950 cm<sup>3</sup>).

- a. Instale un cable para la alimentación hasta la zona del troquel de acceso ubicado en la esquina superior derecha de la caja posterior. Todo el cableado se debe realizar de acuerdo con los códigos eléctricos nacionales y locales. Para determinar la medida de cable correcta, consulte la tabla 1 de la página 1.
- b. Desmonte el soporte del interruptor aflojando los dos tornillos del lado derecho.
- c. Instale una abrazadera para cables en el troquel ubicado en la parte superior de la caja posterior.
- d. Inserte el cable de alimentación a través de la abrazadera para cables, dejando al menos 6" (152 mm) de cable en el interior de la caja posterior para las conexiones. Conecte los cables azules del interruptor con los cables de alimentación utilizando conectores para cable adecuados (vea los diagramas de cableado en la página 5).
- e. Conecte el cable de tierra de la alimentación al tornillo verde de puesta a tierra de la caja posterior ubicado en el interior de la caja, en la parte superior.
- f. Asegure el soporte del interruptor en su lugar apretando los tornillos correspondientes.

### Instalación de la caja posterior en una construcción existente

1. Practique un hueco de 14-1/2" (362 mm) de ancho por 18-1/2" (470 mm) de alto en la pared a la altura de montaje deseada, separado a no menos de 8" (203 mm) de la pared adyacente o del piso (vea la figura 2).

**NOTA:** al menos uno de los laterales del hueco deberá coincidir con un montante de la pared.



**Figura 2: Instalación empotrada de la caja posterior en una construcción existente**

## 2. Cableado de la alimentación

**NOTA:** volumen del compartimiento del cableado: 119 pulg.<sup>3</sup> (1950 cm<sup>3</sup>).

- a. a. Instale un cable para la alimentación hasta la zona por encima de la parte superior del hueco en la pared. Todo el cableado se debe realizar de acuerdo con los códigos eléctricos nacionales y locales. Para determinar la medida de cable correcta, consulte la tabla 1 de la página 1.
- b. Desmonte el soporte del interruptor aflojando los dos tornillos del lado derecho.
- c. Instale una abrazadera para cables en el troquel ubicado en la parte superior de la caja posterior.
- d. Inserte el cable de alimentación a través de la abrazadera para cables, dejando al menos 6" (152 mm) de cable en el interior de la caja posterior para facilitar las conexiones.

## 3. Montaje de la caja posterior

- a. a. Coloque la caja posterior en el hueco en la pared de manera que sus bordes inferior y laterales queden al ras con la superficie terminada de la pared. (La pestaña superior de la caja posterior debe sobresalir aproximadamente 1/2" (12,7 mm) de la superficie terminada de la pared.)
- b. Asegure la caja en su lugar con tornillos para madera o clavos.

## 4. Conexión del interruptor

- a. a. Conecte los cables azules del interruptor con los cables de alimentación utilizando conectores para cable adecuados (vea los diagramas de cableado en la página 5)
- b. Conecte el cable de tierra de la alimentación al tornillo verde de puesta a tierra de la caja posterior ubicado en el interior de la caja, en la parte superior.
- c. Asegure el soporte del interruptor en su lugar apretando los tornillos correspondientes.

## Instalación de la caja posterior con el marco para montaje sobre superficie

Vea la figura 3

1. Fije la caja posterior a la pared, con los troqueles de acceso en la esquina superior derecha, utilizando tornillos y anclajes de fijación.
2. Coloque el marco para montaje sobre superficie en la caja posterior. Verifique que el borde posterior del marco para montaje sobre superficie esté al ras contra la pared.

**NOTA:** si el calefactor está situado en un lugar muy transitado, donde podría ser objeto de mal trato y vandalismo, adopte precauciones extremas para que la caja quede firmemente asegurada a la pared.

## 3. Cableado de la alimentación

**NOTA:** volumen del compartimiento del cableado: 119 pulg.<sup>3</sup> (1950 cm<sup>3</sup>).

- a. Instale un cable para la alimentación hasta la zona cercana a la esquina superior derecha del marco de montaje. La instalación de los cables hasta este punto debe cumplir con los códigos eléctricos nacionales y locales. Para determinar la medida de cable correcta, consulte la tabla 1 de la página 1.

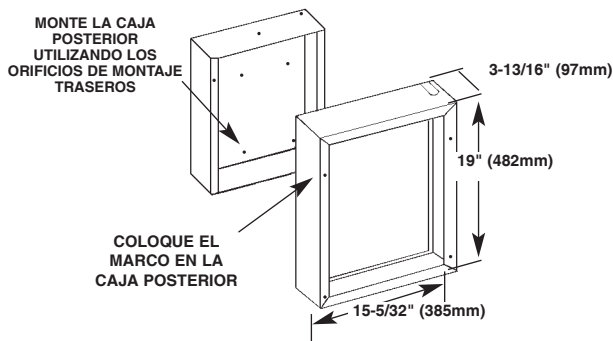


Figura 3: Instalación del marco para montaje sobre superficie

**NOTA:** si el cable de alimentación se debe instalar a través de la pared, perforo un agujero en la zona cercana a la parte superior de la caja para pared. Instale el cable de alimentación a través de este agujero. A continuación, retire el troquel de acceso ubicado en la parte superior de la caja y continúe con el paso C.

- b. Retire el troquel del lateral superior del marco.
- c. Desmonte el soporte del interruptor aflojando los dos tornillos del lado derecho.
- d. Instale el cable de alimentación a través del marco dejando 6" (152 mm) de cable en el interior de la caja posterior.
- e. Asegure el cable de alimentación a la caja posterior (utilice una abrazadera para cables, un conector u otro medio adecuado para aliviar la tensión mecánica sobre el cable) dejando 6" (152 mm) de cable en el interior de la caja posterior.
- a. Conecte los cables azules del interruptor con los cables de alimentación utilizando conectores para cable adecuados (vea los diagramas de cableado en la página 5).
- e. Conecte el cable de tierra de la alimentación al tornillo verde de puesta a tierra de la caja posterior ubicado en el interior de la caja, en la parte superior.
- h. Fije el soporte del interruptor en su lugar.

## Instalación del conjunto calefactor y la rejilla

Una vez finalizada la instalación de la caja posterior, y si se supone que no se producirá más polvo por la instalación, limpie los residuos de la caja, retire el conjunto calefactor de su caja de cartón, consulte la figura 4 y continúe como se indica a continuación:

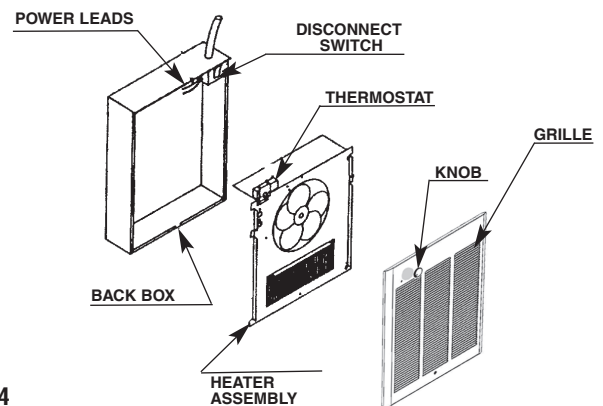


Fig. 4

1. Introduzca el conjunto calefactor en la caja posterior, insertando los cuatro orificios de montaje (con ranuras en forma de ojo de cerradura) en los tornillos de la caja. Apriete firmemente los tornillos.
2. Si se utiliza el marco para montaje sobre superficie, verifique que el marco apoye uniformemente en las cuatro pestañas del conjunto calefactor antes de apretar los tornillos.
3. Conecte los dos cables del ON/OFF al termostato de control del calefactor utilizando empalmes plásticos aislados (tipo Scotchlok). Una vez finalizada la conexión, empuje los cables dentro de la abertura.
4. Gire el termostato hacia la izquierda, hasta el final de su recorrido.
5. Pulse el ON/OFF de alimentación en la posición de encendido "ON".
6. Monte la rejilla utilizando los cuatro (4) tornillos largos provistos. Los tornillos se enroscan en los orificios ubicados en las pestañas laterales de la caja posterior.
7. Inserte y empuje la perilla del termostato en el eje de éste.

# INSTRUCCIONES DE USO

1. El calefactor debe estar correctamente instalado antes de su uso.
2. Gire la perilla del termostato a la izquierda hasta el final de su recorrido. Esto deberá encender los elementos calefactores y el ventilador, y comenzará a fluir aire caliente del calefactor a través de las aberturas inferiores de la rejilla.
3. Después de verificar el funcionamiento de la unidad, gire la perilla del termostato hasta la posición en que la temperatura del ambiente alcance el nivel de confort deseado. (véase la nota 5)
4. Para un funcionamiento sin ventilador sólo continua (elementos de calefacción no se activarán), gire lentamente el mando del termostato hacia la derecha hasta que escuche el ventilador funciona (unos 30 grados desde el punto OFF).
5. Habrá un corto retardo desde el momento en que se enciende la unidad hasta que el ventilador comience a funcionar para permitir que los elementos calefactores se calienten. El ventilador también funcionará durante un cierto tiempo después de haber sido apagada la unidad para permitir que los elementos calefactores se enfríen.

**NOTA:** para obtener los mejores resultados, el calefactor deberá permanecer constantemente encendido durante la temporada en que se necesita calefacción pues el termostato, si está correctamente ajustado, mantendrá la temperatura deseada.

## Cómo restablecer el control protector de sobrecarga térmica manual de

Su calefactor está equipado con un botón para restablecer manualmente el control del límite térmico de seguridad, el cual se activa automáticamente para evitar un incendio si el calefactor se calienta en exceso. Este control está ubicado en el panel del conjunto ventilador entre el elemento calefactor y las palas del ventilador, marcado con la palabra "RESET" (restablecimiento). Este botón rojo se puede ver a través de la rejilla delantera durante la instalación del calefactor. Para restablecer la unidad, deje que el calefactor se enfríe y, a continuación, pulse el botón rojo, visible a través del agujero en el panel del ventilador. El calefactor debe comenzar a funcionar normalmente de inmediato.

### **ADVERTENCIA**

NO INTENTE FORZAR NI PUENTEAR LOS DISPOSITIVOS DE SEGURIDAD DENTRO DEL CALEFACTOR.

### **PRECAUCION**

PRECAUCIÓN: NO CONTINÚE INTENTANDO USAR EL CALEFACTOR SI EL CONTROL DE SEGURIDAD SIGUE ACTUANDO REPETIDAMENTE LUEGO DE HABER SIDO RESTABLECIDO. EN CASO CONTRARIO, PODRÍA DAÑAR PERMANENTEMENTE EL CALEFACTOR U OCASIONAR UN INCENDIO O UN RIESGO PARA LA SEGURIDAD.

# INSTRUCCIONES DE MANTENIMIENTO

Es importante mantener limpio este calefactor. Su calefactor le brindará años de servicio y comodidad con solo cuidados mínimos. Para asegurar el funcionamiento eficiente siga estas simples instrucciones.

### **ADVERTENCIA**

CUALQUIER REPARACIÓN MÁS ALLÁ DE UNA SIMPLE LIMPIEZA, QUE REQUIERA DESMONTAR EL CALEFACTOR, DEBE SER REALIZADA POR UN ELECTRICISTA MATRICULADO.

### **ADVERTENCIA**

PARA DISMINUIR EL RIESGO DE INCENDIO Y DE DESCARGAS ELÉCTRICAS O LESIONES, DESCONECTE LA ALIMENTACIÓN DEL CALEFACTOR DESDE EL TABLERO DE DISTRIBUCIÓN PRINCIPAL Y VERIFIQUE QUE EL ELEMENTO ESTÉ FRÍO ANTES DE REPARARLO O REALIZAR TAREAS DE MANTENIMIENTO.

#### Instrucciones de limpieza:

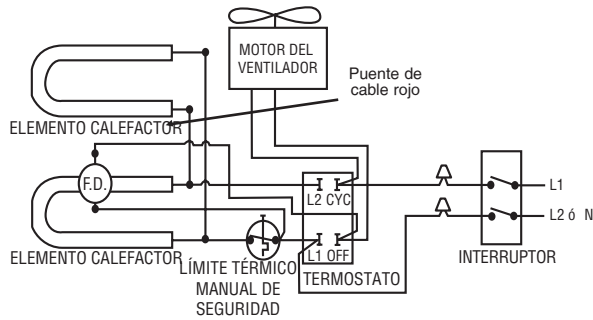
1. Luego de que el calefactor se haya enfriado, utilice una aspiradora con un cepillo para eliminar el polvo y pelusas de las superficies exteriores del calefactor incluyendo las aberturas de la rejilla.
2. Con un paño húmedo limpie el polvo y las pelusas de la rejilla y las superficies exteriores.
3. Vuelva a encender el calefactor y verifique su correcto funcionamiento.

#### Instrucciones de limpieza para mantenimiento:

*(Solo puede ser realizada por electricistas matriculados)*

Al menos una vez al año, el calefactor deberá ser limpiado y revisado por un electricista matriculado para asegurar un funcionamiento seguro y eficiente. Este proceso deberá incluir la remoción de la rejilla y, de ser necesario, del calefactor de la caja posterior para eliminar los residuos del interior de la unidad. Una vez finalizada la limpieza y la revisión, el calefactor se deberá montar nuevamente y verificar su correcto funcionamiento.

## Diagramas de cableado

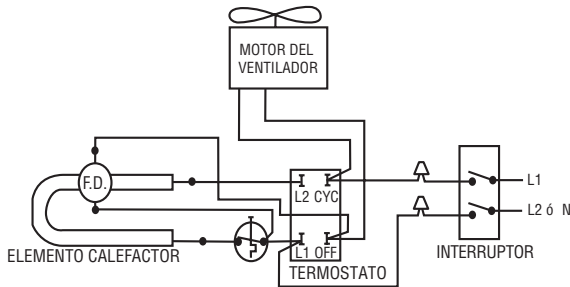


### Diagrama de cableado 1:

#### Calefactores de pared de 1500, 1800, 4800, 4000 y 3000 W

120 V, 208 V, 240 V ó 277 V (la potencia de los calefactores se puede cambiar de máxima a media desmontando el puente de cable rojo conectado entre los terminales de los elementos calefactores superior e inferior.) Vea el diagrama de cableado 6 para calefactores de 4800 W, 208 V.

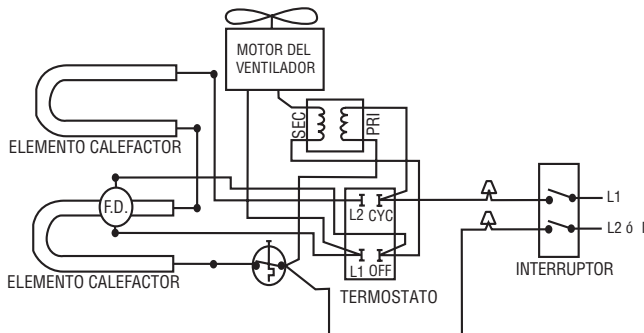
**NOTA:** la potencia del calefactor no se puede reducir a la mitad en los modelos CWHB3150 y CWHB3180.



### Diagrama de cableado 2:

#### Calefactores de pared de 2000 y 1500 W

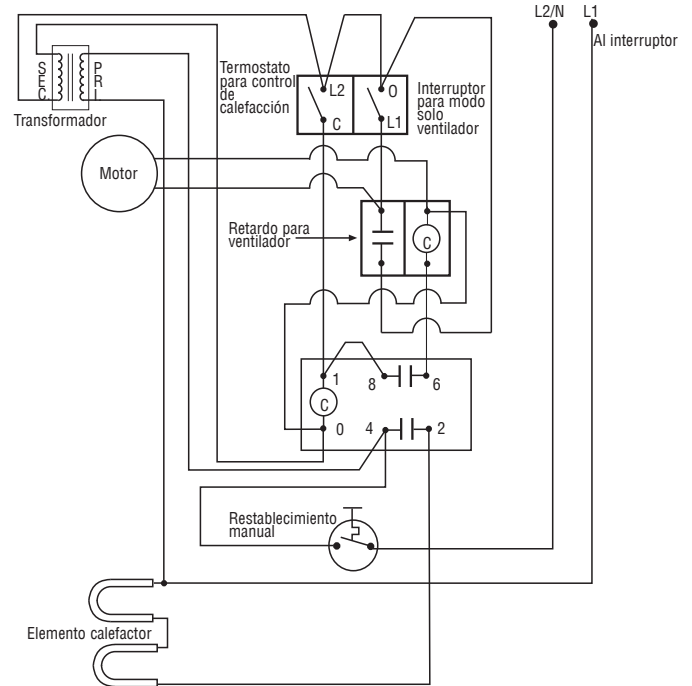
208 V, 240 V ó 277 V



### Diagrama de cableado 3:

#### Calefactores de pared de 4800, 4000 y 3000 W

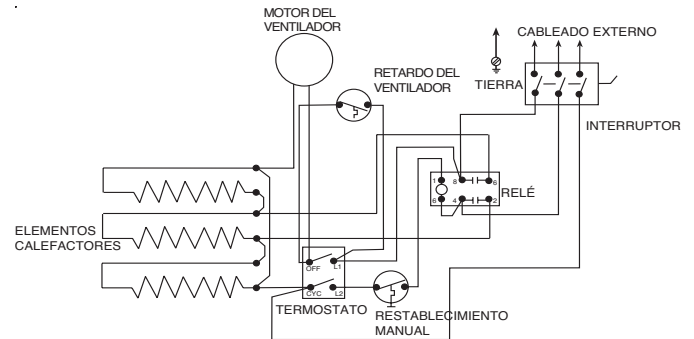
347 V, 600 V



### Diagrama de cableado 4:

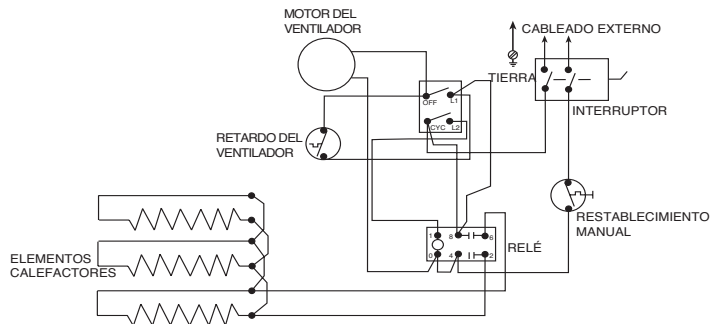
#### Calefactores de pared de 1500 / 2000 W

347 V, 600 V



### Diagrama de cableado 5:

#### Calefactores de pared trifásicos



### Diagrama de cableado 6:

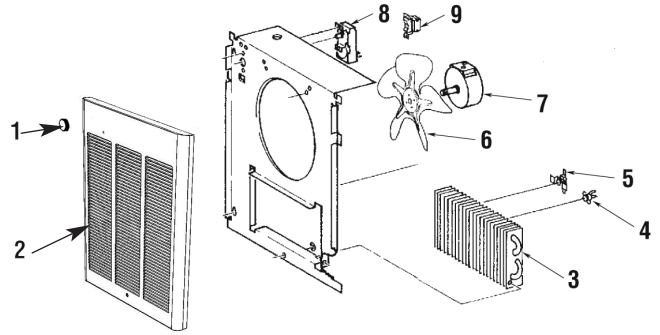
#### Calefactores de pared de 4800 W, monofásicos

208 V

## Piezas de repuesto

Posición	Descripción	N.º de pieza	
1	Perilla	3301-11014-001	
2	Rejilla	1016-11226-000	
3	Elemento:		
	WHB3208FC	208V/2000W	302015801
	WHB3408FC	208V/4000W	302012807
	WHB34083FC	208V/4000W/trifásico	1802-2075-800
	WHB3508FC	208V/4800W	1802-2075-801
	WHB35083FC	208V/4800W/trifásico	1802-2075-801
	WHB3204FC	240V/2000W	302015802
	WHB3404FC	240V/4000W	302012808
	WHB34043FC	240V/4000W/trifásico	1802-2075-802
	WHB3504FC	240V/4800W	302012810
	WHB35043FC	240V/4800W/trifásico	1802-2075-803
	WHB3157FC	277V/1500W	302015806
	WHB3207FC	277V/2000W	302015803
	WHB3307FC	277V/3000W	302012806
	WHB3407FC	277V/4000W	302012809
	WHB3507FC	277V/4800W	302012811
	WHB3153FC	347V/1500W	302012824
	WHB3203FC	347V/2000W	302012808
	WHB3303FC	347V/3000W	302012818
	WHB3403FC	347V/4000W	302012821
	WHB3503FC	347V/4800W	302012823
	WHB3156FC	600V/1500W	302012816
	WHB3206FC	600V/2000W	302012818
	WHB3306FC	600V/3000W	302012820
	WHB3406FC	600V/4000W	302012822
	WHB3506FC	600V/4800W	302012824
4	Límite térmico manual	4520-2017-000	
5	Temporizador para retardo del ventilador	410740000	
6	Palas del ventilador	490030103	
7	Motor:		
	120 V	3900-2010-003	
	208 V	3900-2010-000	
	240 V	3900-2010-000	
	277 V	3900-2010-001	
	347 V	*3900-2010-000	
	600 V	*3900-2010-000	
8	Termostato	5813-2059-000	
9	Interruptor 120 V, 208 V/1Ph., 240 V/1Ph., 277 V 208 V/3Ph., 240 V/3Ph., 347 V, 600V	410170001 5216-2019-000	
10	Transformador del motor	Calefactores de 347 V 5714-2014-001 Calefactores de 600 V 5814-2014-000	

\* Vea el componente n.º 10. Estos calefactores utilizan un transformador para convertir el voltaje del calefactor al voltaje del motor. (No se muestra).



## GARANTÍA LIMITADA

Todos los productos fabricados por Marley Engineered Products están garantizados contra defectos de fabricación y de materiales por 1 año desde la fecha de instalación, excepto los elementos calefactores los cuales están garantizados contra defectos en manufactura y materiales durante cinco años a partir de la fecha de instalación. Esta garantía no se aplica a daños debidos a accidente, mal uso o alteración, ni a los casos en que la tensión eléctrica conectada supere a la tensión nominal - indicada en la placa de características- en más de 5 %, ni a equipos que hayan sido instalados o cableados incorrectamente, o mantenidos en forma que no cumpla lo indicado en las instrucciones de instalación del producto. Todo reclamo por trabajos en garantía debe acompañarse con una prueba de la fecha de instalación.

El cliente será responsable de todos los costos incurridos en el retiro o reinstalación de productos, incluyendo los costos de mano de obra y los costos de envío incurridos para regresar productos a un Centro de Servicio de Marley Engineered Products. Dentro de las limitaciones de esta garantía, las unidades que no funcionan deben regresarse al centro de servicio autorizado Marley más cercano, o al Centro de Servicio de Marley Engineered Products, y nosotros lo repararemos o reemplazaremos, a nuestra opción, sin cargo para usted, con el flete de retorno pagado por Marley. Se acuerda que tal reparación o reemplazo es el único recurso que Marley Engineered Products pone a su disposición.

LAS GARANTÍAS EXPUESTAS MÁS ARRIBA TOMAN EL LUGAR DE TODA OTRA GARANTÍA, EXPRESA O IMPLÍCITA, Y POR LA PRESENTE SE DECLINA Y EXCLUYE DE ESTE ACUERDO TODA GARANTÍA IMPLÍCITA DE COMERCIABILIDAD Y ADECUACIÓN A UN PROPÓSITO PARTICULAR QUE EXCEDA LAS GARANTÍAS EXPRESAS ANTEDICHAS. MARLEY ENGINEERED PRODUCTS NO SE HARÁ RESPONSABLE POR DAÑOS CONSIGUIENTES QUE SE PRODUZCAN CON RESPECTO AL PRODUCTO, EN BASE YA SEA A NEGLIGENCIA, AGRAVIO, RESPONSABILIDAD ESTRUCTIVA, O CONTRATO.

Algunos estados o jurisdicciones no permiten la exclusión o limitación de daños incidentales o consiguientes, de modo que la exclusión o limitación expresada más arriba puede no aplicarse a su caso. Esta garantía le da derechos legales específicos, y usted puede tener también otros derechos, que varían de un estado o jurisdicción a otro. Para obtener la dirección de su centro de servicio autorizado más cercano comuníquese con Marley Engineered Products en Bennettsville, SC, Estados Unidos, llamando al 1-800-642-4328. Toda mercadería regresada a la fábrica debe ser acompañada por una autorización de retorno y una etiqueta de identificación de servicio, disponibles ambas en Marley Engineered Products. Cuando solicite la autorización de retorno, incluya todos los números de catálogo mostrados en los productos.

## CÓMO OBTENER SERVICIO EN GARANTÍA, PIEZAS DE REPUESTO E INFORMACIÓN GENERAL

- |  |                   |
|--|-------------------|
| 1. Servicio o repuestos en garantía    | 1-800-642-4328    |
| 2. Compra de repuestos                 | 1-800-654-3545    |
| 3. Información general sobre productos | www.marleymep.com |

**Nota:** cuando solicite servicio, siempre dé la información que sigue:

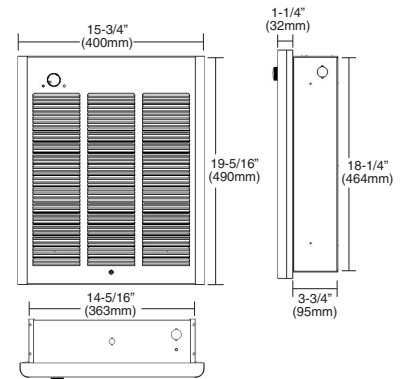
- Número de modelo del producto
- Fecha de fabricación
- Número de parte o descripción



470 Beauty Spot Rd. East  
Bennettsville, SC 29512 USA

# WHB3000 Série

## Radiateurs muraux électriques à air pulsé



## Instructions d'installation, d'utilisation et d'entretien

Tableau 1 - Spécifications

Model Number	Volts	Phase	Watts*	Amps	Min. Supply Wire Gauge
WHB3150FC	120	1	1500	12.5	12
WHB3180FC	120	1	1800	15.0	12
WHB3404FC*	240/208	1	4000/3000 2000/1500	16.7/14.5 8.3/7.2	12
WHB3407FC*	277/240	1	4000/3000 2000/1500	14.5/12.5 7.2/6.3	12
WHB3307FC*	277	1	3000/1500	10.8/5.4	14
WHB3408FC*	208	1	4000/2000	19.2/9.6	10
WHB34083FC	208	3	4000	11.1	14
WHB34043FC	240	3	4000	9.7	14
WHB3504FC	240/208	1	4800/3600	20.0/17.3	10
WHB3507FC	277/240	1	4800/3600	17.3/15	10
WHB3508FC	208	1	4800	23.1	10

\*NOTE: Factory wired for higher wattage, field convertible to half wattage.

N° au catalogue	Volts	Phase	Watts*	Ampères	Calibre minimal des fils d'alimentation
WHB35083FC	208	3	4800	13.4	12
WHB35043FC	240	3	4800	11.6	14
WHB3203FC	347	1	2000	5.8	14
WHB3206FC	600	1	2000	3.3	14
WHB3153FC	347	1	1500	4.3	14
WHB3156FC	600	1	1500	2.5	14
WHB3303FC	347	1	3000	8.6	14
WHB3306FC	600	1	3000	5	14
WHB3403FC	347	1	4000	11.5	14
WHB3406FC	600	1	4000	6.7	14
WHB3503FC	347	1	4800	13.8	12
WHB3506FC	600	1	4800	8	14

\*Remarque: Radiateurs câblés en usine pour pleine puissance, convertibles sur site à demi-puissance.

## INSTRUCTIONS IMPORTANTES



### AVERTISSEMENT



LORS DE L'UTILISATION D'APPAREILS ÉLECTRIQUES, DES PRÉCAUTIONS DE BASE DOIVENT TOUJOURS ÊTRE SUIVIES AFIN DE RÉDUIRE LE RISQUE DE DÉPART D'INCENDIE, DE COMMOTION ÉLECTRIQUE ET DE BLESSURES AUX PERSONNES, INCLUANT CELLES QUI SUIVENT :

1. Lisez toutes les instructions avant d'installer ou d'utiliser le radiateur.
2. Ce radiateur est chaud quand il est en fonctionnement. Pour éviter des brûlures, ne laissez pas la peau nue toucher ses surfaces chaudes. Maintenez les matières combustibles comme le mobilier, les oreillers, la literie, les papiers, les vêtements et les couvertures, à au moins 3 pieds (90 cm) de distance de l'avant du radiateur.
3. Il faut faire très attention quand un radiateur quelconque est utilisé par des enfants ou des personnes invalides ou près d'eux, et à chaque fois que le radiateur est laissé en marche sans surveillance.
4. N'utilisez plus un radiateur s'il a présenté des dysfonctionnements. Débranchez son alimentation au panneau de distribution du secteur et faites-le inspecter par un bon électricien avant de le réutiliser.
5. Ne l'utilisez pas à l'extérieur.
6. Pour déconnecter le radiateur, passez sa commande sur arrêt (Off) et coupez le secteur en amont au panneau de distribution.
7. N'insérez pas d'objets étrangers, et ne permettez pas qu'il en entre, dans toute ouverture d'admission ou d'évacuation, car cela peut causer une commotion électrique ou un départ d'incendie, ou endommager le radiateur.
8. Pour éviter un possible départ d'incendie, n'obstruez en aucune façon les admissions et les échappements d'air.
9. Un radiateur comporte à l'intérieur des parties chaudes, et pouvant produire un arc ou des étincelles électriques. Ne l'utilisez pas dans des zones où de l'essence ou des liquides inflammables sont utilisés ou entreposés.
10. N'utilisez ce radiateur que comme c'est décrit dans ce manuel. Toute autre utilisation non recommandée par le constructeur peut causer un départ d'incendie, une commotion électrique ou des blessures corporelles.
11. Ce radiateur est prévu pour des applications de chauffage de confort, et n'est pas conçu pour une utilisation dans des endroits spéciaux. Ne l'utilisez pas dans des lieux humides ou mouillés, tels que dans un contexte marin ou une serre, ou dans des endroits où il y a présence d'agents corrosifs ou chimiques.
12. Lors de l'installation, voyez les INSTRUCTIONS D'INSTALLATION pour des mises en gardes et précautions supplémentaires.
13. Pour un fonctionnement sûr et efficace, et pour prolonger sa durée de service, gardez votre radiateur propre – Voyez les INSTRUCTIONS D'ENTRETIEN.

## CONSERVEZ CES INSTRUCTIONS

# INSTRUCTIONS D'INSTALLATION

## ⚠ AVERTISSEMENT ⚠

Pour éviter un possible départ d'incendie, des blessures corporelles ou des dommages au radiateur, respectez ces consignes :

1. Débranchez toute alimentation secteur arrivant au panneau de service principal avant de câbler ou d'intervenir pour du service.
2. Toutes les procédures de câblage et les raccordements doivent être en conformité avec les normes nationales et locales applicables, et le radiateur doit être relié à la terre.
3. L'alimentation électrique entre dans le boîtier arrière par les pastilles à enfoncer sur le côté DROIT du boîtier (Voyez la Figure 1). Voyez également le marquage de HAUT sur le boîtier arrière pour la bonne orientation.
4. Vérifiez que la tension du secteur arrivant au radiateur correspond bien aux valeurs spécifiées sur sa plaque signalétique.

**ATTENTION :** ALIMENTER LE RADIATEUR AVEC UNE TENSION DÉPASSANT LA VALEUR IMPRIMÉE SUR LA PLAQUE SIGNALÉTIQUE ENDOMMAGERA LE RADIATEUR ET ANNULERA SA GARANTIE, ET CELA PEUT PROVOQUER UN DÉPART D'INCENDIE.

5. **ATTENTION** – Température élevée et risque de départ d'incendie, gardez les cordons électriques, les draperies et textiles d'intérieur, et d'autres matières combustibles, à au moins 3 pieds (90 cm) de l'avant du radiateur. N'installez pas le radiateur derrière des portes, sous des porte-serviettes ou dans une zone où il est susceptible d'être bloqué par des meubles, des rideaux ou des matériaux de rangement. L'air chaud venant du radiateur peut endommager certains tissus et plastiques.
6. Pour réduire le risque de départ d'incendie, n'entreposez pas et n'utilisez pas d'essence ou d'autres produits inflammables sous forme de liquide ou de vapeurs à proximité du radiateur.
7. Ce radiateur est prévu pour être monté en utilisant un boîtier arrière fourni, et peut s'installer avec ce boîtier encastré ou placé en surface, comme décrit dans ce manuel.
8. Les écartements suivants doivent être respectés :
  - Du bas du radiateur au plancher - 8" (203 mm).
  - Des côtés du radiateur à un mur adjacent - 8" (203 mm).
  - Du haut du radiateur au plafond - 36" (915 mm).
9. Ne faites pas fonctionner le chauffage sans que sa grille soit en place.
10. N'utilisez pas ce radiateur pour faire sécher de la peinture, du plâtre. De la sciure ou de la poussière de ponçage de cloison sèche endommagerait de façon permanente le radiateur, qui doit être tenu à l'écart.

**REMARQUE :** Ce radiateur comporte la capacité de ventilation continue seulement. Pour les détails, voyez **Instructions d'utilisation** étape 4 de la page 4.

### Positionnement du boîtier arrière dans une construction neuve

1. Montage du boîtier arrière (Voyez la Figure 1).
  - a. Placez le boîtier arrière entre deux poteaux muraux adjacents avec un entraxe de 16" (406 mm), à la hauteur de montage voulue, mais pas plus près de 8" (203 mm) du sol ou d'un mur adjacent.

**REMARQUE :** Si les poteaux muraux sont espacés avec un entraxe de plus de 16", des supports d'encadrement supplémentaires peuvent être nécessaires.

- b. Alignez le boîtier arrière de façon à ce que son bas et ses côtés soient de niveau avec la surface de la finition murale (le rebord supérieur du boîtier arrière doit dépasser d'environ 1/2" (12,7 mm) de cette surface).
  - c. Fixez le boîtier arrière en place avec des vis à bois ou des clous comme c'est montré en Figure 1.
2. Câblage de l'alimentation électrique (Voyez la Figure 1.)

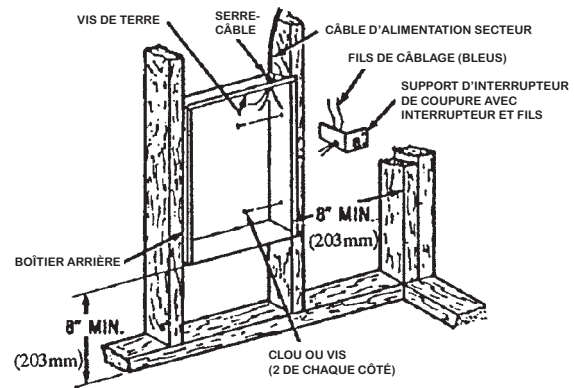


Fig. 1 Positionnement du boîtier arrière dans une construction neuve

**REMARQUE:** Volume du compartiment de câblage : 119 pouces<sup>3</sup> (1 950 cm<sup>3</sup>).

- a. Tirez un câble secteur dans la zone de la pastille défoncée à l'angle supérieur droit du boîtier arrière. Tout le câblage doit être réalisé en conformité avec les normes électriques nationales et locales. Référez-vous au Tableau 1 en page 1 pour les bons calibres de fils.
- b. Enlevez le support d'interrupteur de coupure en desserrant deux vis sur le côté droit.
- c. Installez un serre-câble dans l'entrée défoncée en haut du boîtier arrière.
- d. Passez le câble secteur au travers du serre-câble, en laissant au moins 6" (152 mm) de fils dépasser à l'intérieur du boîtier arrière. Branchez les fils bleus de câblage de l'interrupteur de coupure sur les fils d'arrivée du secteur en utilisant des connecteurs de fils (Voyez les schémas de câblage en page 5).
- e. Branchez le fil de terre du bâtiment sur le boîtier arrière en utilisant la vis verte située en haut à l'intérieur du boîtier arrière.
- f. Fixez en place l'interrupteur de coupure en serrant ses vis.

### Positionnement du boîtier arrière dans une construction existante

1. Préparez une ouverture murale de 14-1/2" (362 mm) de large sur 18-1/2" (470 mm) de haut à la hauteur de montage voulue, mais pas plus près que 8" (203 mm) du sol (Voyez la Figure 2).

**REMARQUE:** Positionnez l'ouverture pour qu'un de ses côtés soit le long d'un poteau mural.

2. Câblage de l'alimentation secteur

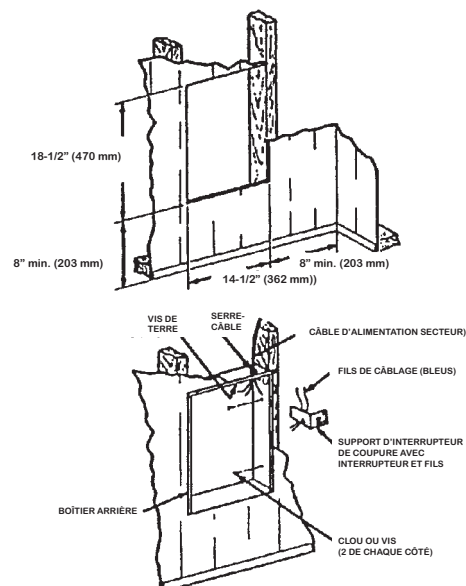


Fig. 2 Positionnement du boîtier arrière dans une construction existante



**REMARQUE :** Volume du compartiment de câblage : 119 pouces<sup>3</sup> (1 950 cm<sup>3</sup>).

- a. Tirez un câble d'alimentation secteur dans la zone au-dessus du haut de l'ouverture murale. Tout le câblage doit être réalisé en conformité avec les normes électriques nationales et locales. Référez-vous au Tableau 1 en page 1 pour les bons calibres de fils.
  - b. Enlevez le support d'interrupteur de coupure en desserrant deux vis sur le côté droit.
  - c. Installez un serre-câble dans la pastille défoncée en haut du boîtier arrière.
  - d. Passez le câble secteur au travers du serre-câble, en laissant au moins 6" (152 mm) de fils dépasser à l'intérieur du boîtier arrière pour faciliter les raccordements.
3. Montage du boîtier arrière
- a. Placez le boîtier arrière dans l'ouverture du mur au niveau de la surface murale en bas et sur les côtés du boîtier (Le rebord supérieur du boîtier arrière peut dépasser d'environ 1/2" ou 12,7 mm de la surface de finition murale).
  - b. Fixez le boîtier arrière en place avec des vis à bois ou des clous.
4. Câblage de l'interrupteur de coupure
- a. Branchez les fils d'alimentation secteur sur les fils bleus de l'interrupteur de coupure, en utilisant des connecteurs de fils (Voyez les schémas de câblage en page 5).
  - b. Branchez le fil de terre du bâtiment sur le boîtier arrière en utilisant la vis verte située en haut à l'intérieur du boîtier arrière.
  - c. Fixez en place l'interrupteur de coupure en serrant ses vis.

### Installation du boîtier arrière dans un encadrement pour montage en surface

Voyez la Figure 3

1. Fixez le boîtier arrière sur le mur (avec les pastilles à enfoncer dans l'angle supérieur droit) en utilisant des vis et des chevilles.
2. Suspendez l'encadrement de montage en surface sur le boîtier arrière. Assurez-vous que le bord arrière de l'encadrement de montage en surface arrive juste sur le mur.

**REMARQUE:** Si le radiateur est situé dans une zone à fort trafic, où il peut subir du vandalisme ou des abus, vérifiez bien que le boîtier est fixé très fermement au mur.

### 3. Câblage de l'alimentation secteur

**REMARQUE:** Volume du compartiment de câblage : 119 pouces<sup>3</sup> (1 950 cm<sup>3</sup>).

- a. Tirez un câble d'alimentation secteur dans la zone de l'angle supérieur droit de l'encadrement de montage. La disposition du câblage à ce point doit être en conformité avec les normes nationales et locales. Référez-vous au Tableau 1 en page 1 pour les bons calibres de fils.

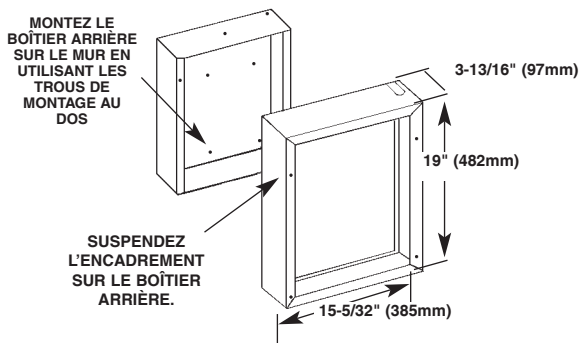


Fig. 3 Installation de montage en surface

**REMARQUE:** Si le câblage doit passer au travers du mur, percez un trou dans le mur dans la zone du haut du boîtier arrière. Passez le câble d'alimentation secteur au travers de ce trou. Puis enfoncez la pastille en haut du boîtier, et passez à l'étape C.

- b. Enfoncez la pastille sur le côté du dessus de l'encadrement.
- c. Enlevez le support d'interrupteur de coupure en desserrant deux vis sur le côté droit.
- d. Passez le câble d'alimentation secteur au travers de l'encadrement en laissant 6" (152 mm) de fils à l'intérieur du boîtier arrière.
- e. Fixez ce câble sur le boîtier arrière (en utilisant passe-fil, connecteur, ou autre attache convenable) en laissant au moins 6" (152 mm) de fils dépasser à l'intérieur du boîtier arrière.
- f. Branchez les fils bleus de câblage du dispositif de coupure sur les fils d'arrivée du secteur en utilisant des connecteurs de fils (Voyez le schéma de câblage de la page 5)
- g. Branchez le fil de terre du bâtiment sur le boîtier arrière en utilisant la vis verte située en haut à l'intérieur du boîtier arrière.
- h. Fixez le support du dispositif de coupure en place.

### Installation de l'ensemble de radiateur et de la grille

Une fois que le boîtier arrière est complètement installé et qu'il n'y a plus de poussière due à la construction d'attendue, nettoyez les débris du boîtier arrière, sortez l'ensemble de radiateur de son carton, puis référez-vous à la Figure 4 et procédez comme ceci :

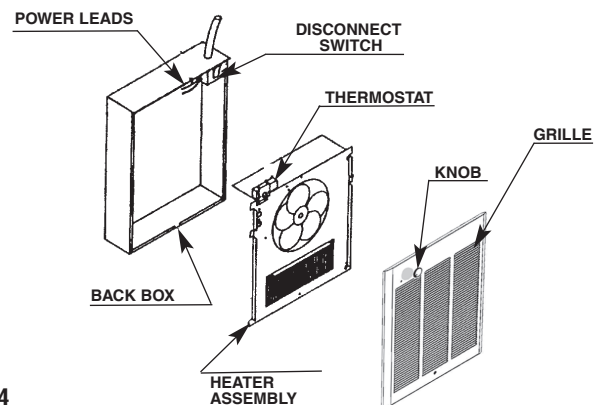


Fig. 4

1. Insérez l'ensemble de radiateur dans le boîtier arrière, en plaçant ses quatre trous de montage (avec fente en trou de serrure) par-dessus les vis dans le boîtier arrière. Serrez bien ces vis.
2. Si un encadrement pour montage en surface est utilisé, assurez-vous qu'il est bien de niveau avec les quatre pattes de l'ensemble de radiateur avant de serrer les vis.
3. Branchez les deux fils ON/OFF débranchés sur les fils du commutateur de contrôle du radiateur (thermostat) en utilisant des serre-fils. Après la connexion repoussez les fils dans l'ouverture.
4. Tournez le thermostat complètement en sens antihoraire.
5. Passez ON/OFF de coupure en position de marche (ON).
6. Fixez la grille avec les quatre (4) vis longues de montage fournies. Ces vis s'engagent dans les trous situés sur les brides latérales du boîtier arrière.
7. Enfoncez le bouton de thermostat sur son axe.

# INSTRUCTIONS D'UTILISATION

1. Le radiateur doit être correctement installé avant d'être mis en marche.
2. Tournez le bouton du thermostat complètement en sens horaire. Cela doit activer les éléments de chauffe et le ventilateur, faisant que de l'air tiède circule de la sortie d'air chaud aux ouvertures du bas de grille.
3. Après le contrôle de fonctionnement, ramenez le bouton de thermostat à la position voulue pour obtenir une température ambiante confortable. (voir remarque 5)
4. Pour le fonctionnement du ventilateur seulement continue (éléments de chauffage ne seront pas sous tension), tourner lentement le bouton du thermostat dans le sens horaire jusqu'à ce que vous entendiez le ventilateur fonctionner (environ 30 degrés à partir du point d'arrêt).
5. Il y aura un court délai entre le moment où le radiateur est mis en marche et la rotation du ventilateur. C'est pour que les éléments aient eu le temps de s'échauffer. Le radiateur va symétriquement continuer de tourner une fois le radiateur arrêté suffisamment pour permettre aux éléments de refroidir.

**REMARQUE:** Pour obtenir les meilleurs résultats, le radiateur doit rester en marche (ON) en permanence durant la saison de chauffage, du fait que le thermostat quand il est bien réglé maintiendra la température désirée.

## Comment faire pour réinitialiser le contrôle manuel de protection de tête thermique:

Votre radiateur est équipé d'un dispositif de protection, réenclenchable manuellement, qui coupe automatiquement le radiateur pour éviter un départ d'incendie en cas de surchauffe. Ce contrôle est situé sur l'ensemble de panneau de ventilateur entre l'élément et la pale de ventilateur, et marqué "RESET". Le bouton rouge de restauration peut être vu au travers de la grille frontale quand le radiateur est installé. Pour restaurer, laissez le radiateur refroidir, puis appuyez sur le bouton rouge qui est visible au travers du trou dans le panneau de ventilateur. Le radiateur doit immédiatement revenir en fonctionnement normal.

## AVERTISSEMENT

NE TOUCHEZ PAS ET NE CONTOURNEZ PAS LES LIMITES DE SÉCURITÉ À L'INTÉRIEUR DU RADIATEUR.

## ATTENTION

NE CONTINUEZ PAS D'ESSAYER D'UTILISER LE RADIATEUR SI SON CONTRÔLE DE SÉCURITÉ SE DÉCLENCHE À RÉPÉTITION APRÈS SA RESTAURATION. EN LE FAISANT VOUS POURRIEZ L'ENDOMMAGER DE FAÇON IRRÉMÉDIABLE OU CAUSER UN DÉPART D'INCENDIE OU DES RISQUES POUR LA SÉCURITÉ.

# INSTRUCTIONS D'ENTRETIEN

Il faut garder l'appareil propre. Celui-ci vous apportera des années de service avec un minimum d'entretien. Pour obtenir les résultats attendus, veuillez respecter les instructions ci-dessous.

## AVERTISSEMENT

TOUTE INTERVENTION DE SERVICE AU-DELÀ D'UN SIMPLE NETTOYAGE, QUI NÉCESSITE UN DÉMONTAGE, DEVRA ÊTRE RÉALISÉE PAR DU PERSONNEL DE SERVICE QUALIFIÉ.

## AVERTISSEMENT

POUR RÉDUIRE LE RISQUE DE DÉPART D'INCENDIE ET DE COMMOTION ÉLECTRIQUE OU DE BLESSURE, DÉBRANCHEZ TOUTE ALIMENTATION ÉLECTRIQUE ALLANT AU RADIATEUR EN AMONT AU PANNEAU DE SERVICE, ET VÉRIFIEZ QUE L'ÉLÉMENT DE CHAUFFE EST FROID AVANT D'INTERVENIR POUR DU SERVICE OU DE L'ENTRETIEN.

### Instructions de nettoyage par l'utilisateur :

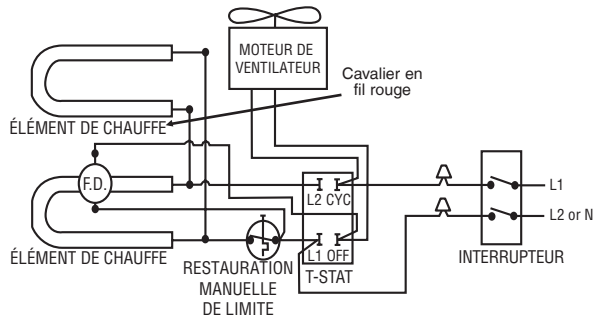
1. Une fois que le radiateur est froid, vous pouvez utiliser un aspirateur avec son accessoire brosse pour éliminer la poussière et les peluches des surfaces extérieures du radiateur, y compris les ouvertures de la grille.
2. Avec un chiffon humide, enlevez poussière et peluche de la grille et des surfaces extérieures.
3. Remettez le radiateur sous tension et vérifiez son bon fonctionnement.

### Instructions de nettoyage d'entretien :

**(Ne doit être exécuté que par du personnel de service qualifié)**

Au moins une fois par an le radiateur doit être nettoyé et vérifié par une personne de service qualifiée afin d'assurer un fonctionnement sûr et efficace. Cela doit inclure la dépose de la grille et si nécessaire la sortie du radiateur du boîtier arrière, afin de nettoyer les résidus de l'appareil. Une fois le nettoyage et le service terminés, le radiateur doit être complètement remonté et son bon fonctionnement vérifié.

## Schémas de

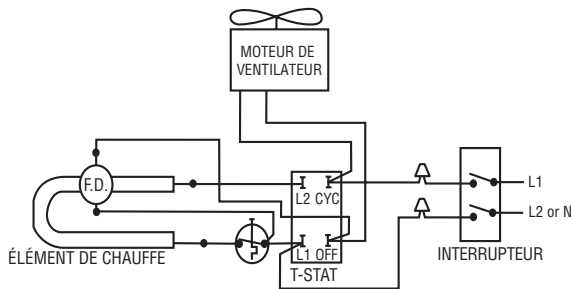


### Schéma de câblage 1 :

#### Radiateurs de 1 500, 1 800, 4 800, 4 000 et 3 000 W

120 V, 208 V, 240 V, ou 277 V (Des radiateurs sur pleine puissance peuvent se convertir pour demi-puissance en enlevant le cavalier à fil rouge qui relie les bornes du haut des éléments de chauffe.) Voyez le schéma de câblage 8 pour le 4 800 W en 208 V.

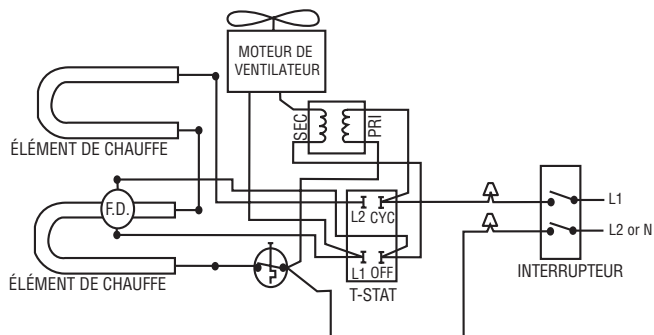
**REMARQUE:** Cette conversion à demi-puissance n'est pas applicable aux modèles CWHB3150 and CWHB3180.



### Schéma de câblage 2 :

#### Radiateurs de 2 000 et 1 500 W

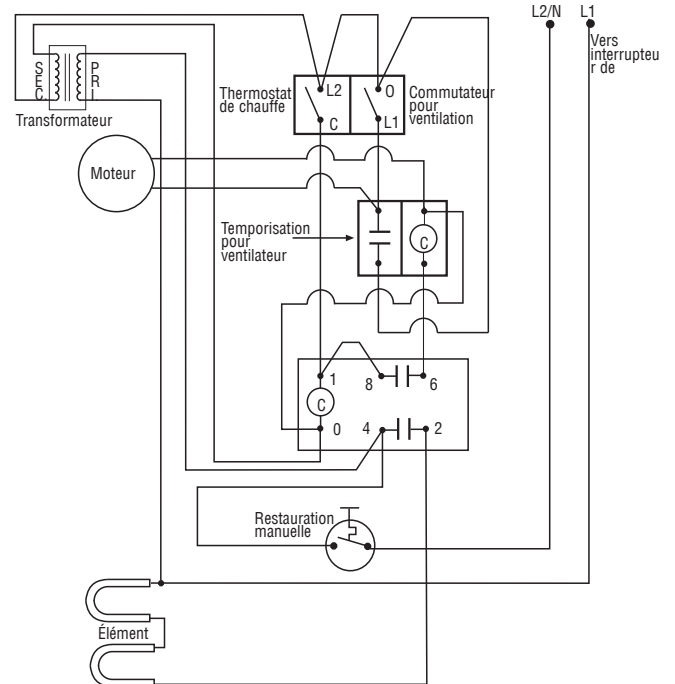
En 208, 240 ou 277 V



### Schéma de câblage 3 :

#### Radiateurs de 4 800, 4 000 et 3 000 W

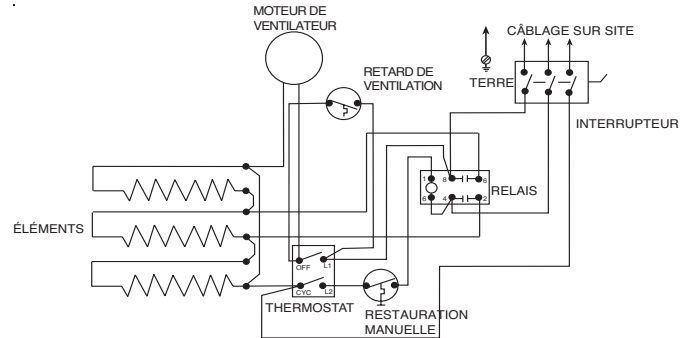
En 347 ou 600 V



### Schéma de câblage 4 :

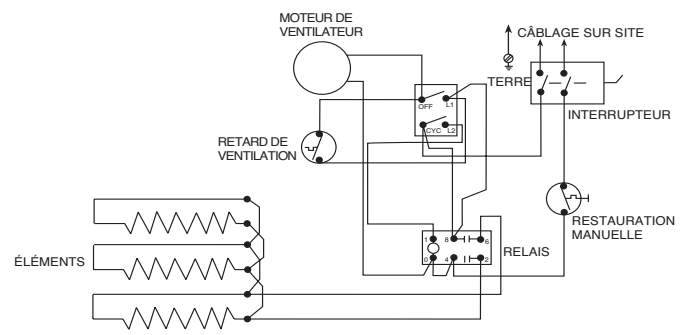
#### Radiateurs de 1 500/2 000 W

En 347 ou 600 V



### Schéma de câblage 5 :

#### Radiateurs muraux en secteur triphasé



### Schéma de câblage 6 :

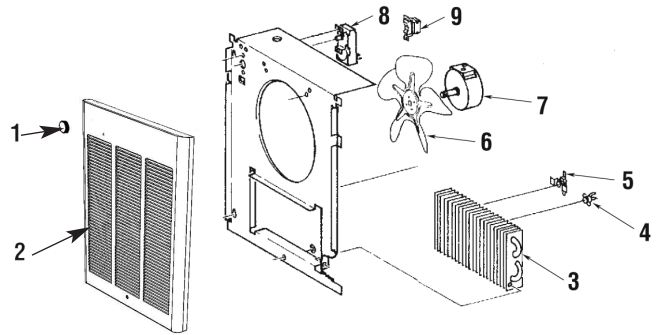
#### Radiateurs de 4 800 W en secteur monophasé

En 208 V

## Pièces de rechange

N° au catalogue	Description	Numéro de pièce
1	Bouton	3301-11014-001
2	Grille	1016-11226-000
3	Élément:	
	WHB3208FC 208V/2000W	302015801
	WHB3408FC 208V/4000W	302012807
	WHB34083FC 208V/4000W/ 3Ph.	1802-2075-800
	WHB3508FC 208V/4800W	1802-2075-801
	WHB35083FC 208V/4800W/3Ph.	1802-2075-801
	WHB3204FC 240V/2000W	302015802
	WHB3404FC 240V/4000W	302012808
	WHB34043FC 240V/4000W/3Ph.	1802-2075-802
	WHB3504FC 240V/4800W	302012810
	WHB35043FC 240V/4800W/3Ph.	1802-2075-803
	WHB3157FC 277V/1500W	302015806
	WHB3207FC 277V/2000W	302015803
	WHB3307FC 277V/3000W	302012806
	WHB3407FC 277V/4000W	302012809
	WHB3507FC 277V/4800W	302012811
	WHB3153FC 347V/1500W	302012824
	WHB3203FC 347V/2000W	302012808
	WHB3303FC 347V/3000W	302012818
	WHB3403FC 347V/4000W	302012821
	WHB3503FC 347V/4800W	302012823
	WHB3156FC 600V/1500W	302012816
	WHB3206FC 600V/2000W	302012818
	WHB3306FC 600V/3000W	302012820
	WHB3406FC 600V/4000W	302012822
	WHB3506FC 600V/4800W	302012824
4	Limite manuelle	4520-2017-000
5	Temporisation de ventilation	410740000
6	Pale de ventilateur	490030103
7	Moteur :	
	120 V	3900-2010-003
	208 V	3900-2010-000
	240 V	3900-2010-000
	277 V	3900-2010-001
	347 V	*3900-2010-000
	600 V	*3900-2010-000
8	Thermostat	5813-2059-000
9	Interrupteur Monophasé 120, 208, 240 et 277 V Triphasé 208, 240 et 347 V	410170001 5216-2019-000
10	Transformateur de moteur	
	Radiateurs 347 V	5714-2014-001
	Radiateurs 600 V	5814-2014-000

\* Voir la réf. 10. Ces radiateurs utilisent un transformateur pour convertir la tension du radiateur en tension convenant au moteur (Non montré).



### GARANTIE LIMITÉE

Tous les produits fabriqués par Marley Engineered Products sont garantis contre des défauts dus à la main-d'œuvre et aux matériaux pendant un an à partir de la date d'installation, sauf les éléments de chauffe qui sont garantis de la même façon pendant cinq ans. Cette garantie ne s'applique pas pour des dommages résultant d'accident, de mésusage ou d'altération ; ni si la tension secteur envoyée fait 5 % ou plus au-dessus de la tension nominale de la plaque signalétique ; ni sur l'équipement est incorrectement installé ou câble, en violation avec les instructions d'installation. Toutes les demandes d'exercice de la garantie devront être accompagnées de la preuve de date d'installation.

Le client doit être responsable de tous les coûts occasionnés pour le démontage ou la réinstallation des produits, incluant les coûts de main-d'œuvre, et les coûts d'expédition pour renvoyer les produits au centre de service de Marley Engineered Products. Dans le cadre des limitations de cette garantie, les appareils ne fonctionnant pas doivent être renvoyés au centre de service agréé Marley le plus proche, ou au centre de service de Marley Engineered Products, où ils seront réparés ou remplacés, à notre choix, sans frais pour vous avec le port de retour payé par Marley. Il est convenu que cette réparation ou ce remplacement sera le seul remède à attendre de Marley Engineered Products.

LES GARANTIES QUI PRÉCÈDENT TIENNENT LIEU DE TOUTES LES AUTRES GARANTIES, EXPLICITES OU IMPLICITES, ET TOUTES LES GARANTIES IMPLICITES DE VALEUR MARCHANDE ET D'ADÉQUATION POUR UNE FINALITÉ SPÉCIFIQUE QUI EXCÉDERAIENT LES DISPOSITIONS DE GARANTIE PRÉCÉDEMMENT ÉNONCÉES SONT ICI REJETÉES ET EXCLUES DE CET ACCORD. MARLEY ENGINEERED PRODUCTS NE SERA PAS TENU POUR RESPONSABLE DES DOMMAGES CONSÉCUTIFS SURVENANT EN RELATION AVEC LE PRODUIT, QU'ILS SOIENT À BASE DE NÉGLIGENCE, TORT, RESPONSABILITÉ PURE OU CONTRACTUELLE.

Certaines provinces ne permettent pas l'exclusion ou la limitation des dommages consécutifs ou annexes, de ce fait, l'exclusion ou la limitation qui précède peut ne pas s'appliquer à votre cas. Cette garantie vous donne des droits légaux spécifiques, qui varient d'une province à l'autre.

Pour obtenir l'adresse de votre centre de service agréé le plus proche, contactez Marley Engineered Products à Bennettsville, SC, USA, au 1-800-642-4328. Toute marchandise retournée à l'usine doit être accompagnée d'une autorisation de renvoi et d'une étiquette d'identification pour le service, ces deux documents étant disponibles auprès de Marley Engineered Products. En demandant une autorisation de retour, fournissez tous les numéros de catalogue indiqués sur les produits.

### COMMENT OBTENIR DU SERVICE ET DES PIÈCES DANS LE CADRE DE LA GARANTIE ET DES INFORMATIONS GÉNÉRALES

- Service et pièces sous garantie **1-800-642-4328**
- Pièces détachées à acheter **1-800-654-3545**
- Informations générales sur les produits **www.marlemep.com**

**Remarque :** Pour obtenir le service sous garantie vous devez toujours avoir préparé :

- Référence de modèle du produit
- Date de fabrication
- Numéro ou description de pièce



470 Beauty Spot Rd. East  
Bennettsville, SC 29512 USA