



S&P USA

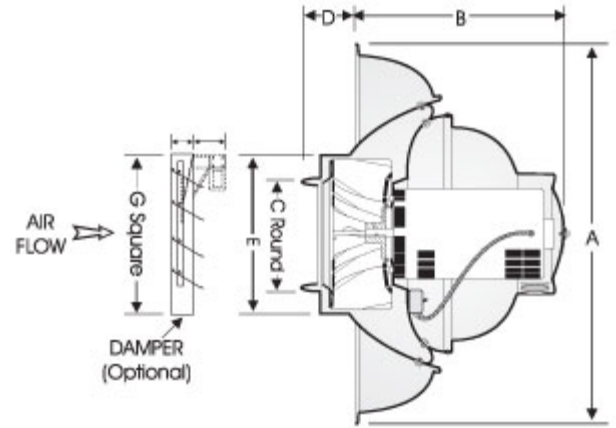
Qty:	1
Tag:	EF-1
Project:	CWD07HH1AS

CWD070A *

Centrifugal Sidewall Exhauster-Direct Drive

STANDARD FEATURES:

- AMCA Air and Sound Licensed • UL/UL-C 705 and CSA Certified • Standard Disconnect • Heavy Gauge Aluminum Construction • Statically and Dynamically Balanced Aluminum Wheel • 5 Year Fan and 1 Year Motor Warranty • Vented Motor Cover for Maximum Cooling • Conduit Wiring Chase Provided • Low Profile • Integral Deep Spun Inlet •



Performance

Fan RPM	Flow (CFM)	SP (in W.G.)	Power (HP)	SE	TE	FPM (TS)	FPM (OV)
1550	254	0	.028	0%	1%	2841	254

Altitude (Feet): n/a Temperature (Fahrenheit): n/a Density (Lb/Ft3): .075

Motor Information: (Wired for 115V)

HP	RPM	Volts/PH/Hz	Enclosure	Efficiency	Mounted
.04	1550	115V/1PH/60HZ	OPEN DRIP PROOF	STANDARD	YES

Sound Power Levels - Octave Bands

LwA	DBA	Sone	1	2	3	4	5	6	7	8
66.9	55.4	6.5	67.5	60.2	68.1	68.3	56.0	48.7	42.2	38.6

Submittal Notes:

Dimensions (Inches)

A	15	B	8	C	5.9375	D	1.5	E	8
F		G	8	H		I		J	
K		L		M		N		O	
P		Q		R		S		T	
U		V		W		X		Y	

Note: Accessories may effect dimensions shown.

Avg. Shipping Weight (Lbs)*: 15

*Includes fan, motor, and packaging.

Accessories:

