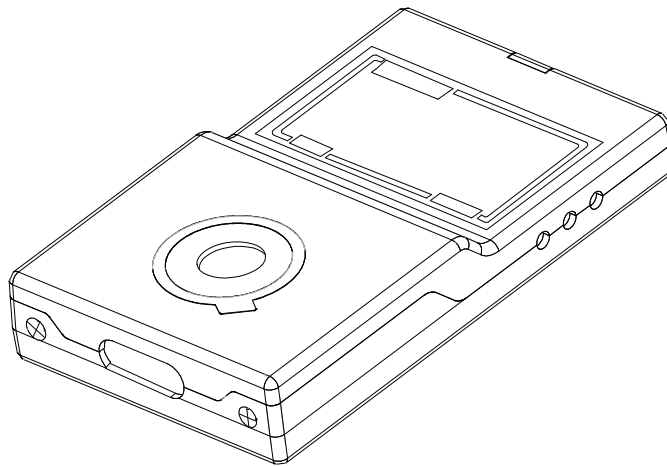


**CTS-M5
TOXIC GAS
TRANSMITTER/SENSOR**



**INSTALLATION
OPERATION AND MAINTENANCE
MANUAL**

QUATROSENSE ENVIRONMENTAL LTD.
5935 OTTAWA STREET, PO BOX 749 RICHMOND, ONTARIO CANADA K0A 2Z0
PHONE: (613) 838-4005 FAX: (613) 838-4018
Web: www.QELsafety.com Email: QEL@QELsafety.com

**CTS-M5 Configuration:
Default Settings**

			Factory Settings	User Settings
1.	Signal	4 mA	See Table Below	_____
		20 mA	See Table Below	_____
2.	Password		0017	_____
3.*	Relay 1 Actuation		Enabled	_____
4.	Relay 1 Setpoint (Actuation)		See Table Below	_____
5.	Relay 1 Release Point (De-Actuation)		See Table Below	_____
6.	Relay 1 Actuation Delay		0 Minutes	_____
7.	Relay 1 De-Actuation Delay		0 Minutes	_____
8.*	Relay 2 Actuation		Enabled	_____
9.	Relay 2 Setpoint (Actuation)		See Table Below	_____
10.	Relay 2 Release Point (De-Actuation)		See Table Below	_____
11.	Relay 2 Actuation Delay		0 Minutes	_____
12.	Relay 2 De-Actuation Delay		0 Minutes	_____
13.	Communication Protocol		Optomux	_____
14.	Digital Address		0001	_____
15.	Baud Rate		4800	_____

Note: Relay setpoints are included in the software; however relays are optional.

Gas Type	4 mA Default	20 mA Default	Relay 1 (Warning) (If Applicable)		Relay 2 (Alarm) (If Applicable)	
			Setpoint	Release Point	Setpoint	Release Point
NO ₂	0 ppm	6.0 ppm	1.0 ppm	0.8 ppm	3.0 ppm	2.5 ppm
CO	0 ppm	125 ppm	25 ppm	20 ppm	50 ppm	40 ppm
NO	0 ppm	100 ppm	25 ppm	20 ppm	50 ppm	40 ppm
NH ₃	0 ppm	50 ppm	25 ppm	20 ppm	35 ppm	30 ppm
O ₂	0%	25%	19.50% Decreasing	20.00%	23.00% Increasing	22.00%

Table Of Contents

<i>Default Settings</i>	1
1. PRINCIPLES OF OPERATION	3
1.1 DISPLAY.....	3
1.2 KEYPAD AND FUNCTION CONFIGURATION	3
1.3 PASSWORD.....	4
1.4 OUTPUT SIGNALS	4
1.5 METER JACKS	4
1.6 SIGNAL AND DISPLAY RANGE	4
1.7 OPTIONAL RELAY PACKAGE.....	5
1.8 DEFAULT CONDITIONS	5
1.9 SENSING AND CALIBRATION.....	5
1.9.1 Calibration.....	5
1.9.2 Implications for Troubleshooting.....	5
2. FUNCTION AND CONFIGURATION	6
2.1 MENU STRUCTURE AND USE.....	6
2.2 CONFIGURATION AND CALIBRATION	7
2.3 HARDWARE CONFIGURATION.....	13
2.3.1 Output Signals.....	13
2.3.2 RS-485 End-of-Line Wiring and Termination	13
2.3.3 Battery.....	14
2.4 GAS CALIBRATION	14
2.4.1 Equipment Required.....	14
2.4.2 Procedure.....	15
2.4.3 Calibration Errors.....	15
3. FAULTS	16
3.1 SELF-CHECK FAULTS.....	16
3.2 HARDWARE FAULTS.....	18
4. WIRING AND POWER SUPPLIES	19

CTS-M5 Operating Manual

1. Principles of Operation

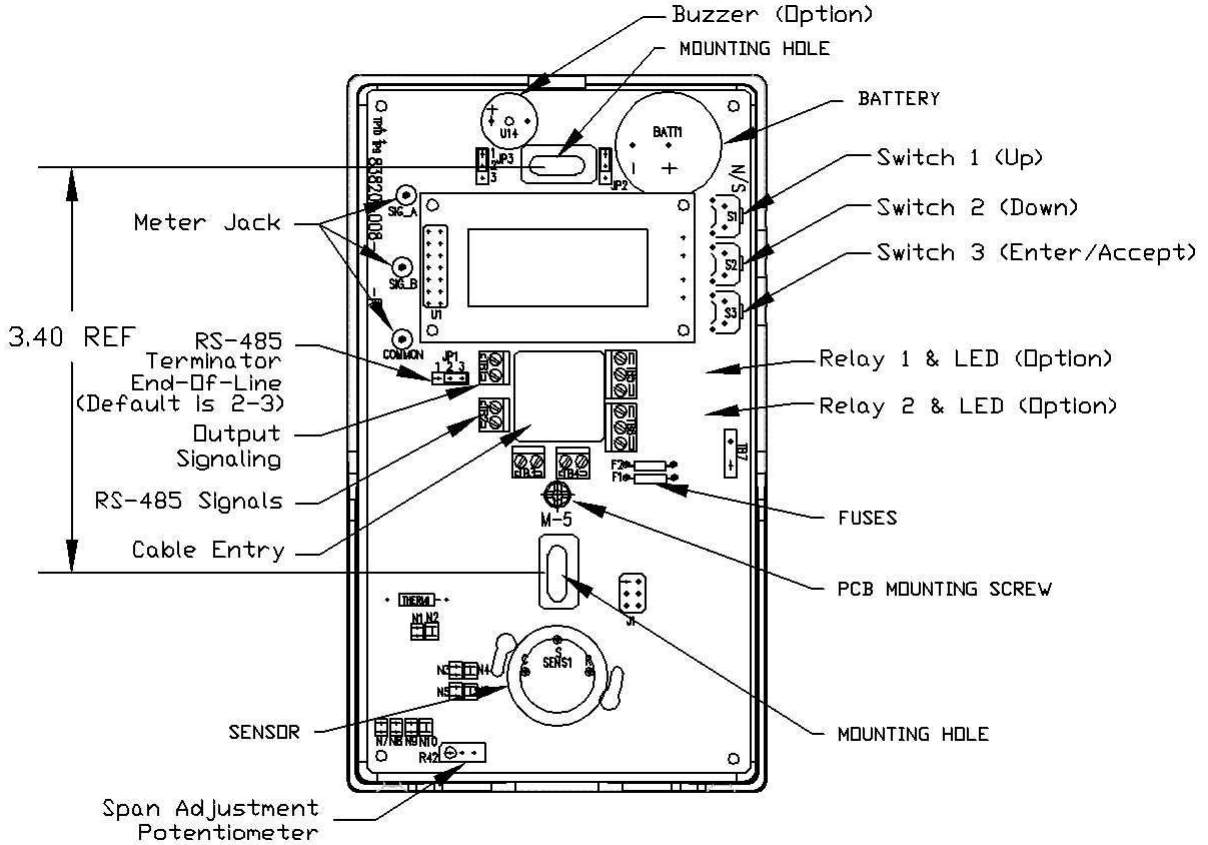


Figure 1 CTS-M5 Internal View - Features

1.1 Display

The display module is a 2-line by 8-character LCD. Standard reading in operation is

Gas Type
xxx Units

1.2 Keypad and Function Configuration

Relay settings and other configurable items are accessed through the keypad and menu display.

The keypad is a set of 3 buttons recessed along the upper right side of the enclosure. It is not necessary to open the cover for use of the keypad. Access to the menus is password restricted. Press any key for 3 seconds to enter the menus. (See below for details)

1.3 Password

Factory preset default password is 0017.

Password can be changed. **RECORD PASSWORD IN A SECURE PLACE. If the password is lost, the unit must be returned to QEL to be reset**

1.4 Output Signals

Options are 4-20 milliamp or 2-10 VDC linear. Choose the option by moving the jumper on JP3. On over range concentrations the signal can exceed the range slightly.

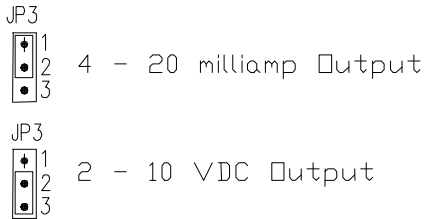


Figure 2 Signal Configuration JP3

IMPORTANT: Voltage monitoring should be into a monitor with at least 50 000 ohms input impedance. Voltage monitoring is not recommended over long distances, as these signals are more susceptible to induced noise than current signals

1.5 Meter Jacks

Test pads accepting standard test probes are provided on the circuit card. These are labeled SigA, SigB and Common

To test milliamp signals measure:

- SigA to Common shorts to internal ground.
- SigA to SigB without interrupting signal to monitor

To Test voltage signals measure:

- SigB to Common.

1.6 Signal and Display Range

It is important to distinguish between Signal Range (often called Span) and Display Range.

- Display Range is the range of concentrations the unit is capable of displaying (which is the same concentration it will report on the digital communications). The display range varies with the gas type.
- Signal Range is the assignment of the 4 to 20 mA signal. Default assignment of 4 mA is zero concentration. The default setting for 20 mA varies with the gas type.

The Signal range is fully adjustable within the limits imposed by the Display Range. Both the 4 mA level and the 20 mA level can be reassigned through the menu system. Please note that this adjustment does not change the measurement resolution.

1.7 Optional Relay Package

Two relays are supplied; single pole double throw (SPDT; Form C) 1 Amp. Dry contacts only. Configuration allows setpoint adjustment for actuation point, dead-band, and delays, increasing or decreasing concentrations. The relay settings have the same range as the Display Range, and are independent of Signal Range.

1.8 Default Conditions

Default conditions are those conditions, which occur:

- During the short wait state on Power On.
- In Fault status.
- In the menu tree.

In these situations the following conditions hold:

- Signal set at 4.0 milliamps (2 Volts)
- Relays set non-energized.
- Digital communications report 0; no alarm status and 4 milliamp equivalent signal.

1.9 Sensing and Calibration

Sensor type: Various electrochemical.

1.9.1 Calibration

The sensor is strongly linear in its response to gas. It is therefore straightforward to calibrate. Two gases are needed for calibration: Zero gas (clean air) and an appropriate span gas. Adjustment is by one potentiometer on the circuit board.

1.9.2 Implications for Troubleshooting

The microprocessor will detect various component faults and out-of-range conditions, and drop the output signal to 0.0 milliamps. When a fault is detected, both relays will be deactivated as well. However, it cannot detect simple out of calibration conditions, which can only be detected by applying a gas standard.

2. Function and Configuration

2.1 Menu Structure and Use

Note: While the keypad functions are available without opening the case. It is necessary to open the case to apply the calibration gases. The 'keypad' switches are located in the upper right side of the enclosure. See Figure 1 Page 3.

Display: The display is 2 line by 8 character alphanumeric. The top line contains the feature name and the second contains the variable.

Keypad: The keypad consists of three (3) pushbutton switches.

S1	Scroll Up
S2	Scroll Down
S3	Enter/Accept

Display at Turn-On:

The display shows the following for about 2 seconds:

QEL M-5
Vx.xx Ry

Where: x.xx = the Software Version
 y = the Software Revision

Followed for about 2 seconds by:

ElectrCh
Vx.xx Ry

Where: ElectrCh = Electrochemical
 x.xx = the Sensor Algorithm Version
 y = the Sensor Algorithm Revision

Display in Operation: The display shows

GAS
xxx Units

Where GAS will show the target gas, and xxx is concentration of the gas. Units may be either ppm (parts per million) or %.

Note: Should the concentration equal or drop below an internal value, the unit will flash "CALIBR" on display line 2 every 8 seconds.

Menu Activation: Press and hold any key for 3 seconds to enter the menu tree.

Menu Scrolling: Use the scroll buttons to scroll up and down through the menu tree.

Data Entry Mode: Enter the data entry mode by pressing S3 (Enter) while displaying any feature. This mode is indicated by an * (asterisk) at the right of the variable, and indicates that the variable may be changed by scrolling. Press S3 (Accept) to save result and return to menu tree. While in data entry mode, the Up and Down keys perform an automatic key repeat while the key is held in.

Password: The first item on entering the menu tree is a Password request. The display is 0000, the default password is 0017. The * appears, indicating that a number can be entered and accepted. This number can be changed by the user (see below).

Fault: In case of faults, the display will read FAULT and a fault code in the bottom LCD line (see below). Signal will drop to 0 milliamps.

See section 3 below for more information on faults.

2.2 Configuration and Calibration

Gas Type	Display Range	Warning (Relay 1)	W-Deact	Alarm (Relay 2)	A-Deact	20 mA Default
NO ₂	0-10.0 ppm	1.0 ppm	0.8 ppm	3.0 ppm	2.5 ppm	6.0 ppm
CO	0-250 ppm	25 ppm	20 ppm	50 ppm	40 ppm	125 ppm
NO	0-200 ppm	25 ppm	20 ppm	50 ppm	40 ppm	100 ppm
NH ₃	0-100 ppm	25 ppm	20 ppm	35 ppm	30 ppm	50 ppm
O ₂	0-25 %	19.50% Decreasing	20.00%	23.00% Increasing	22.00%	25%

Table 1 Default Settings

Note: The user has control of all variables, including calibration gas concentrations, alarm settings and signal range (both 4 milliamp and 20 milliamp) assignments. It is important to note that these must be chosen carefully with regard to calibration. Zero calibration is done through a menu option, Span calibration is done though a potentiometer on the circuit card, not through the menu system, and so it is possible to perform the adjustment without the menu system; however, the menus do offer **disabling of output actuation**.

1. Press any key for 3 seconds to enter menu system

2. Password Control

PASSWORD
0000 *

Press up/down to choose correct password and accept.

3. Factory Settings Sub-menu Branch

FACTORY
Settings

This function is for factory setup and test only.

4. **Relay 1 Sub-menu Branch**

RELAY 1
Settings

Press Enter to proceed to the Relay 1 Settings sub-menu (press down/up to skip Relay 1 Settings and go to next/previous menu item or sub-menu).

4.1 RELAY
Enable

Press Enter to change. "*" Indicates to use scroll buttons to toggle between Enable, Disable or Latching. Press Accept when done.

Note that this disables the physical relay, but not the setpoint. Setpoint actuation status will still be transmitted on the digital communications link if queried.

When the "Latching" option is selected, the relay will not de-actuate unless it is cancelled by pressing one of the keyboard buttons. The relay will only reset if the alarm situation has dissipated.

Enable is the default.

Press Down button to continue through Relay 1 Settings branch. Press Up to return to Main Menu (and Relay 1 Settings sub-menu branch).

4.2 Actuation Setpoint

ACTUATE
00XX ppm (or %)

Choose the concentration of Gas. Up/Down scrolls up/down in the Relay 1 Settings branch.

4.3. De-Actuation Setpoint

DEACT
00XX ppm (or %)

Choose the concentration of the gas at which you want the alarm condition to stop.

Note: If the De-Actuation Setpoint is set at a higher concentration than the Actuation setpoint, then the setpoint function reverses and actuates on decreasing concentrations.

Note: The software will not allow the user to set Actuation = De-actuation. If Actuation is set equal to De-actuation, the Actuation Setpoint will be adjusted upward by 10% of display range automatically before saving the new settings.

4.4 Actuation Delay.

ACT-TIME
00 min

Adjust the amount of time delayed before the relay is actuated after the Actuation Setpoint is reached. A maximum of 60 minutes is possible, adjustable in 5-minute increments.

Default is 0000.

4.5 De-Actuation Delay.

DEACTIME
00 min

Adjust the amount of time delayed before the relay is released after the De-Actuation setpoint is reached. A maximum of 60 minutes is possible, adjustable in 5-minute increments. Default is 00.

4.6 Buzzer.

BUZZER

Disable (or Enable)

The internal buzzer can be activated together with Relay 1 if 'Enable' is selected. The buzzer is silenced by pressing any of the key buttons during normal operation. Selecting 'Disable' only disables the buzzer activation for Relay 1. Buzzer operation respective to Relay 2 is set in the 'Relay 2 Settings' Sub-menu.

Note: If the buzzer is enabled for any of, or both the relays, the first key press will silence the buzzer (buzzer acknowledge) and a second key press is needed if any, or both of the relays is set for 'Latching' mode. Refer to 3.1 above.

To configure the buzzer for Relay 2 operation, go the 'Relay 2 Settings' sub-menu.

Default is Disabled.

The Up key scrolls back up the Relay 1 Settings sub-menu branch. The Down key leaves the Relay 1 Settings sub-menu branch and returns to the Relay 1 Settings main menu item.

5. Relay 2 Sub-menu Branch

RELAY 2 Settings

Press Enter to access the settings. The sub-menu structure is the same as for Relay 1 Settings.

6. Range Adjustments

CONC4MA 0000 ppm (or %)

This feature allows adjustment of the 4 milliamp point to non-zero gas concentrations. The display will always read as low as 0000, but the concentration corresponding to 4 milliamps changes.

Maximum: Display Range
Minimum: 0

Note: An inverted response at the signal output can be achieved by setting CONC4MA higher than CONC20MA.

Note: Changing the range in this fashion does not enhance the gas measurement accuracy.

7. Range Adjustments

CONC20MA
0XXX ppm (or %)

This feature allows adjustment of the 20 milliamp point to different gas concentrations. The display will always read as low as the maximum for that gas but the concentration corresponding to 20 milliamps changes. Note that the display maximum is not affected by this adjustment.

Maximum: Display Range
Minimum: 0

Note: An inverted response at the signal output can be achieved by setting CONC4MA higher than CONC20MA.

Note: changing the range in this fashion does not enhance the gas measurement accuracy.

Note: The software will prevent the user from setting the 4mA point = 20mA point. In such a case, the 20mA point will be lifted by 10% of Display Range before saving the settings.

8. Calibration:

8.1 Calibrate Zero Gas

CAL ZERO
000 ppm (or %)

Apply Zero Gas (clean air). Wait to stabilize. Press Enter. The unit will automatically reset the display to 000.

8.2 Calibrate Span

Calibration is done with the potentiometer on the circuit card, not through the menu system, and so it is possible to perform the adjustment without the menu system; however, the menus do offer disabling **of output actuation**.

CAL SPAN
XXX ppm (or %)

Calibration Procedure:

Apply an appropriate span gas, and adjust the Gain potentiometer to get the correct reading on the display.

Press Up/Down to go to the next/previous menu item.

9. Communications Protocol

PROTOCOL
Optomux

The Optomux protocol (default) communicates with QEL's M-Controller.
The B4000 protocol communicates with QEL's QDC-4000 monitor.

Press Enter and Up/Down to select the desired protocol.

10. Digital Address

ADDRESS
0001

Allows changes to the digital communications address for the transmitter.

Note: The new address is available **immediately it is accepted at this point**, and the unit will respond to only this address when queried even though you are still inside the main menu tree. If you abort the main menu tree (see below) then the address will revert to the previous address.

Optomux maximum: 256
B4000 maximum: 16

Note: If the B4000 protocol was selected (above), all previously set addresses higher than 16 will be folded back to address 16.

11. Baud Rate

BAUDRATE
4800

Default is 4800 baud.

Options: 600, 1200, 2400, 4800 and 9600

12. Change Password

PASSWORD
0000

Factory default is 0017.

Press Enter and scroll up and down to choose a new password. **RECORD
PASSWORD IN A SECURE PLACE.**

Note: This item displays the current password, so it is important to keep security in mind when passing this item in the presence of bystanders.

If the password is lost, the unit must be returned to QEL to be reset.

13. Exit Menu Tree

EXIT
Save

Press Enter, an * will appear beside Save. Press Up/Down to choose Save or Abort. Press Enter/Accept to exit.

Note: Choosing Abort will discard all changes made since last entering the menu system, including calibration values.

2.3 Hardware Configuration

2.3.1 Output Signals

Options are 4-20 milliamp or 2-10 V linear. Choose the option by moving the jumper on JP3. On over-range concentrations the signal can exceed the range slightly.

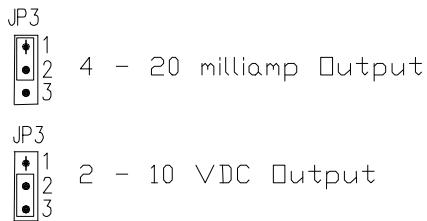


Figure 3 Signal Configuration

2.3.2 RS-485 End-of-Line Wiring and Termination

RS-485 installations require specialized wiring. A number of manufacturers make cable especially for this wiring standard (EIA-485), (e.g. Belden 9841). This is a twisted, shielded, balanced pair, 24 AWG, 120 Ohm. In order to prevent signal bounce-back and

other distortions, it is necessary to provide a balancing resistor across both ends of the wire. The M-5 supplies this resistor on board, and it is chosen using a jumper at JP1.

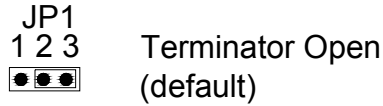
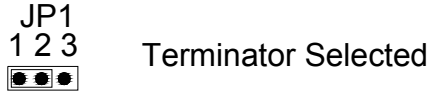


Figure 4 RS-485 End-of-Line Termination

2.3.3 Battery

Certain sensors (NH₃, NO) require active power even when the unit as a whole is powered down. This is done to prevent excessively long stabilization periods on turn-on. Disable the battery using JP2 when the unit is powered down without a sensor cell present. The battery is not consumed when the unit is powered.

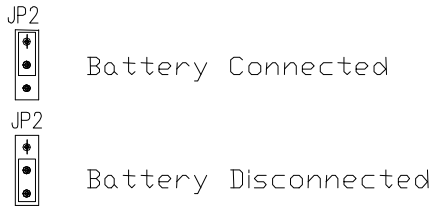


Figure 5 Battery Connection Enable

2.4 Gas Calibration

Calibration should not vary significantly over a period of years; however, it is best to perform a verification calibration after installation, and at one-year intervals thereafter. All units are factory calibrated.

2.4.1 Equipment Required

- Zero air, (clean air or nitrogen).
- Appropriate span gas as close to the range of interest as possible
- Pressure and Flow Limiting Regulator(s) **0.4 to 0.8 lpm (0.8 to 1.6 scfh)**
- Tubing and bayonet adapter.

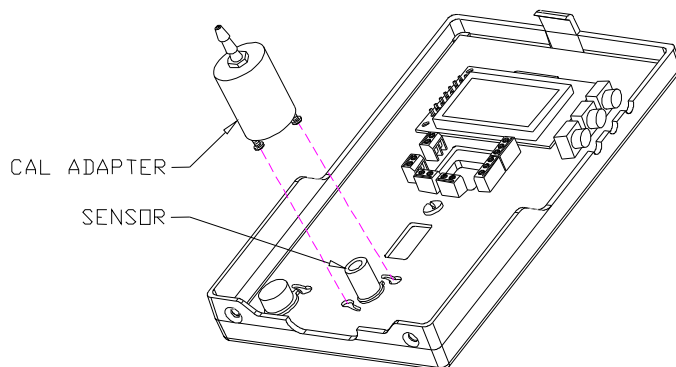


Figure 6 Calibration Gas Bayonet Adapter

2.4.2 Procedure

Calibration Procedure:

Enter the configuration menu system and proceed to “CAL ZERO”. This disables alarm outputs, and forces the output signal to 4.00 milliamps.

Response of these sensors to gas varies with the sensor, but in most cases the signal should be sufficiently stable in less than 5 minutes. Pre-calibration stabilization times vary from 24 hours (CO and NO₂) to a week or more (NH₃).

Apply zero gas (clean air) and wait for the display reading to stabilize. (Remember that the 4-20 milliamp signal may be set to a different range.) Press Accept to automatically zero the reading.

Press Down to go to CAL SPAN.

Apply an appropriate span gas, and adjust the Gain potentiometer to get the correct reading on the display.

On removing the gas, you may find that the display does not completely re-zero. Return to CAL ZERO to re-Zero. Note: Allow enough time for the sensor to stabilize at zero in order not to set an incorrect zero calibration.

2.4.3 Calibration Errors

If the gas flow was not sufficient, or the bayonet adapter was too loosely applied, the gas concentration in the sensor will stabilize at an incorrect low value.

3. Faults

3.1 Self-check Faults

The microprocessor monitors a number of operational values for faults, and will display each occurrence for two seconds as follows:

FAULT
XXX

Where XXX is a fault code.

The unit will automatically restart and continue normal operation if the fault occurred due to a temporary intrusion (e.g.: Radio frequency interference or water condensation formed due to fast temperature change).

A fault shown repeatedly indicates malfunction of the unit. In such cases the fault code should be recorded and the unit returned for repair.

When a fault is detected, the output is dropped to 0.0 mA and both relays are deactivated.

The only Self Check Faults which can be field addressed are those which refer to problems with the sensor (fault code 048):

- Check that the sensor is inserted in its socket correctly.
- Replace sensor. If the fault is removed, then re-calibrate.
- Return unit to Factory.

Beep Codes:

One short beep, followed by 5-second silence, accompanied by blank LCD, indicates a faulty LCD, return to factory for repair.

Note: The unit performs a standard short beep at power-up.

Fault Codes:

Fault Code	Description	Action
Audible		
001	LCD Fault (1 beep, 5 second silence)	Return unit to factory for repair if fault persists.
EEPROM		
008	FLASH EEPROM write time-out.	Return unit to factory for repair if fault persists.
009	Data EEPROM write time-out.	
010	FLASH EEPROM verify error when writing.	
011	Data EEPROM verify error when writing.	
012	Last EEPROM write interrupted, incomplete.	
Analog Output Signal		
032	Driven output higher than monitored output.	Return unit to factory for repair if fault persists.
033	Driven output lower than monitored output.	
034	Voltage output load too large (or mode fault).	
035	Voltage output load driving into unit.	
System		
024	Out of ms timers.	Return unit to factory for repair if fault persists.
025	Out of second timers.	
026	Message queue overflow.	
Sensor		
040	Sensor front-end or heater driver fault.	Check sensor, replace sensor and calibrate. Return unit to factory for repair if fault persists.
041	Pseudo ground level too low.	
042	Pseudo ground level too high.	
Calibration		
048	Concentration too far negative.	Calibrate. Return unit to factory for repair if fault persists.
Mathematics		
056	32-bit scale operation overflow.	Calibrate. Return unit to factory for repair if fault persists.
057	Floating-point overflow.	Calibrate. Return unit to factory for repair if fault persists.
058	Floating-point underflow.	Calibrate. Return unit to factory for repair if fault persists.
059	Floating-point divide by zero.	Calibrate. Return unit to factory for repair if fault persists.
060	Floating-point domain error exception.	Calibrate. Return unit to factory for repair if fault persists.

3.2 Hardware Faults

Screen Blank, no Signal	Check wiring, check fuses.
Distorted Milliamp Signal	Output jumper set to voltage.
Voltage signal pinned high	Output jumper set to milliamps
No milliamp Signal on AC floating power supply	Check for signal common line. Check for signal operation by using on-board test points
Bad RS-485 Communications for this unit.	Check wiring polarity for A & B lines Check for correct line terminations. Check for correct address. Check for correct Baud rate and protocol.
Bad RS-485 Communications for a multi-drop group.	Check wiring polarity for A & B lines Check for correct line terminations. It is possible for one failed device on a multi-drop line to pull communication down for the whole line. Check for correct addresses, Baud rate and protocol selection.

4. Wiring and Power Supplies

The CTS-M5 Power Supply input is not isolated internally from the electronics and thus the signal common. Therefore, while the power supplied may be AC or DC, care must be taken to avoid the creation of multiple grounds (or a ground loop).

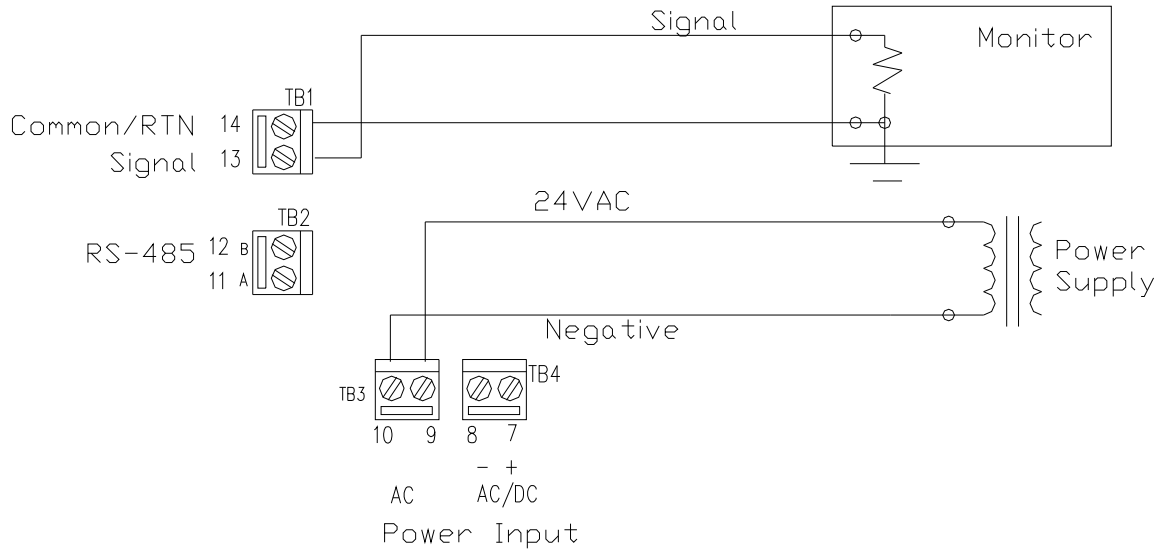


Figure 7 24VAC Floating Supply 4-Wire Installation

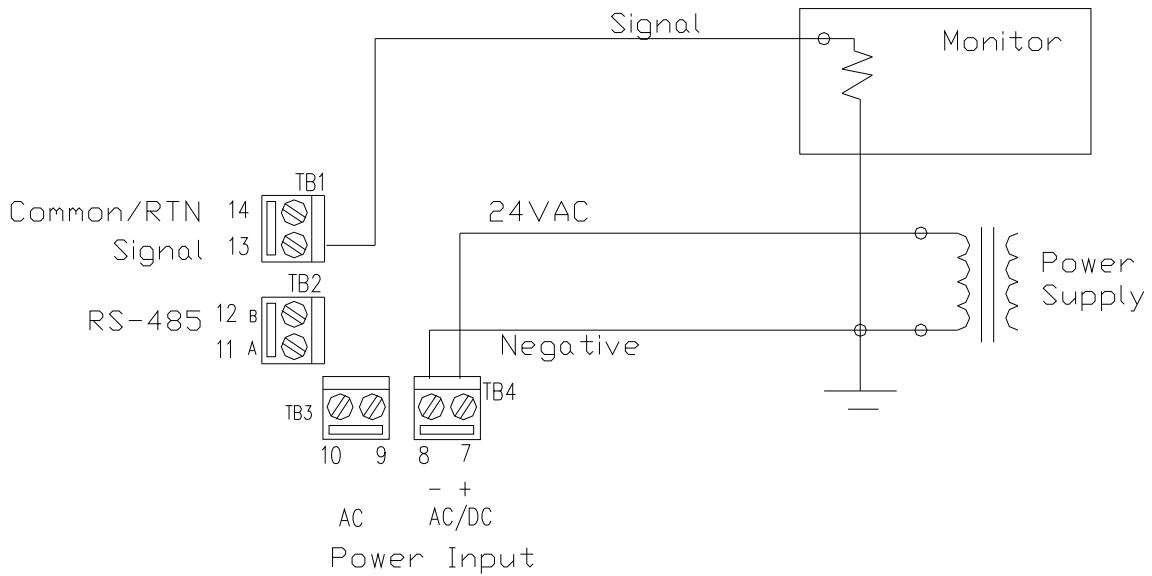


Figure 8 24VAC with Common Grounds - 3-Wire Installation

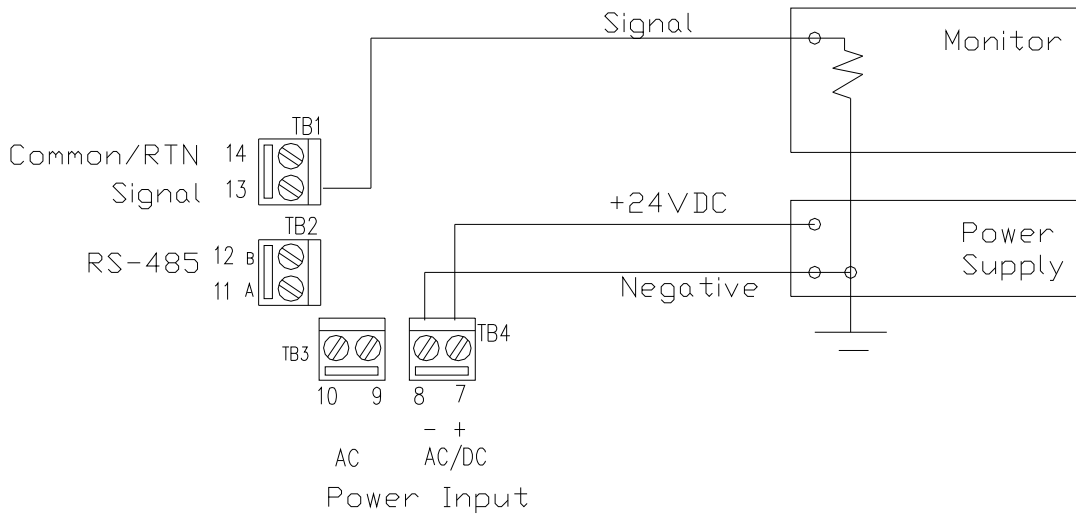


Figure 9 24VDC Supply with Common Ground - 3-Wire Installation

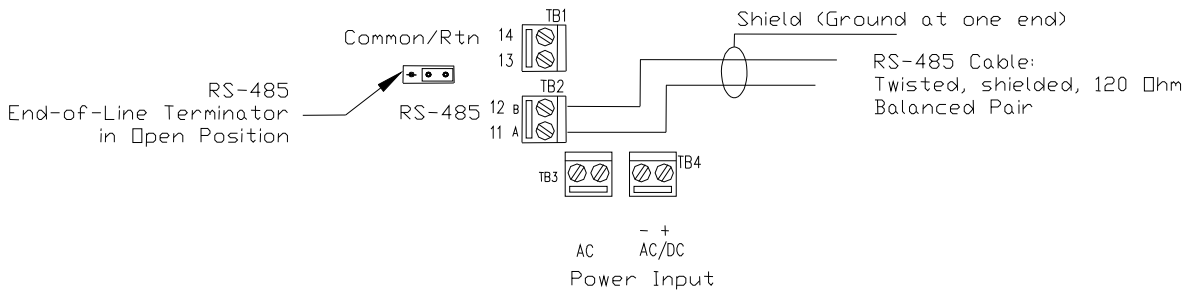


Figure 10 RS-485 Connection

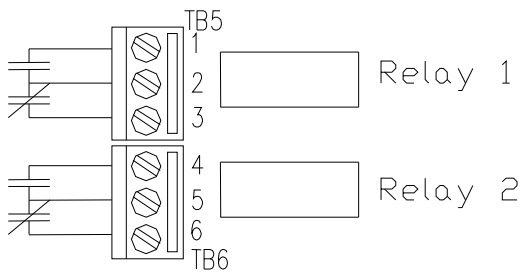


Figure 11 Relay Connections

WARRANTY STATEMENT

The information contained in this manual is based upon data considered accurate; however, no warranty is expressed or implied regarding the accuracy of this data. All QEL equipment is warranted against defects in material and workmanship for a period of two years from date of shipment with the following exceptions:

Electrochemical Sensors (Toxic)	Six Months
Catalytic Sensors (Combustible)	One Year

During the warranty period we will repair or replace, at our discretion, any components or complete units that prove, in our opinion, to be defective. We are not liable for consequential or incidental damage to auxiliary interfaced equipment.

A returned material authorization number should be obtained from the factory prior to returning any goods. All return shipments must be shipped freight prepaid and a copy of the maintenance records should accompany the unit concerned.

Warranty should be considered F.O.B. the factory. Labour and travel time are chargeable for any field site visits required for warranty work.

LIMITED LIABILITY

All QEL systems shall be installed by a qualified technician/electrician and maintained in strict accordance with data provided for individual systems in the form of installation/maintenance manuals. QEL assumes no responsibility for improper installation, maintenance, etc., and stresses the importance of reading all manuals. QEL shall not be responsible for any liability arising from auxiliary interfaced equipment nor any damage resulting from the installation or operation of this equipment.

QEL's total liability is contained as above with no other liability expressed or implied as the purchaser is entirely responsible for installation and maintenance of systems.

This warranty is in lieu of all other warranties, expressed or implied, and no representative or person is authorized to represent or assume for QEL any liability in connection with the sales of our products other than that set forth herein.

NOTE: Due to on-going product development, QEL reserves the right to change specifications without notice and will assume no responsibility for any costs as a result of modifications.

For further information or assistance, contact:

QUATROSENSE ENVIRONMENTAL LTD.

5935 Ottawa Street, PO Box 749

Richmond, Ontario

K0A 2Z0

Tel: (613) 838-4005

Fax: (613) 838-4018

Email: QEL@QELsafety.com

Web: www.QELsafety.com