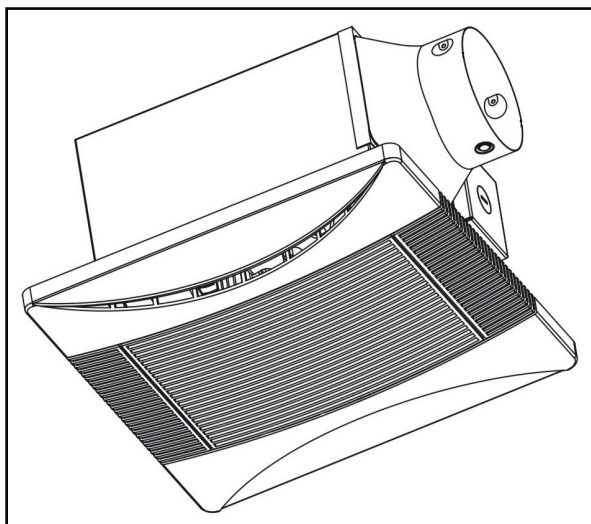

Installation Manual



Ventilation Fan

▶ CFA-D50
(BPT16-02E)

▶ CFA-D70
(BPT16-13E)

It is very important you read this manual before installation for your safety and efficiency of the unit.

Please be advised that all units should be installed by a licensed electrician.

READ AND SAVE THESE INSTRUCTIONS

TABLE OF CONTENTS

General safety information & warnings.....	2
List of parts and accessories.....	3
Dimensions.....	4
Wiring diagram.....	5
Specifications.....	5
Installation I (Joist Mounting- I).....	6-8
Installation II (In Existing Construction).....	9
Maintenance.....	10

UNPACKING

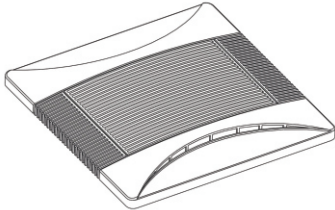


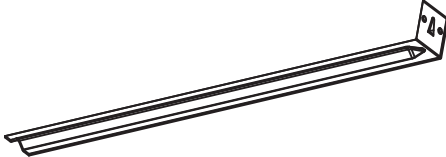

Unpack and carefully remove unit from carton.
Refer to the supplier Accessories list to verify that all parts are present.

GENERAL SAFETY INFORMATION & WARNING

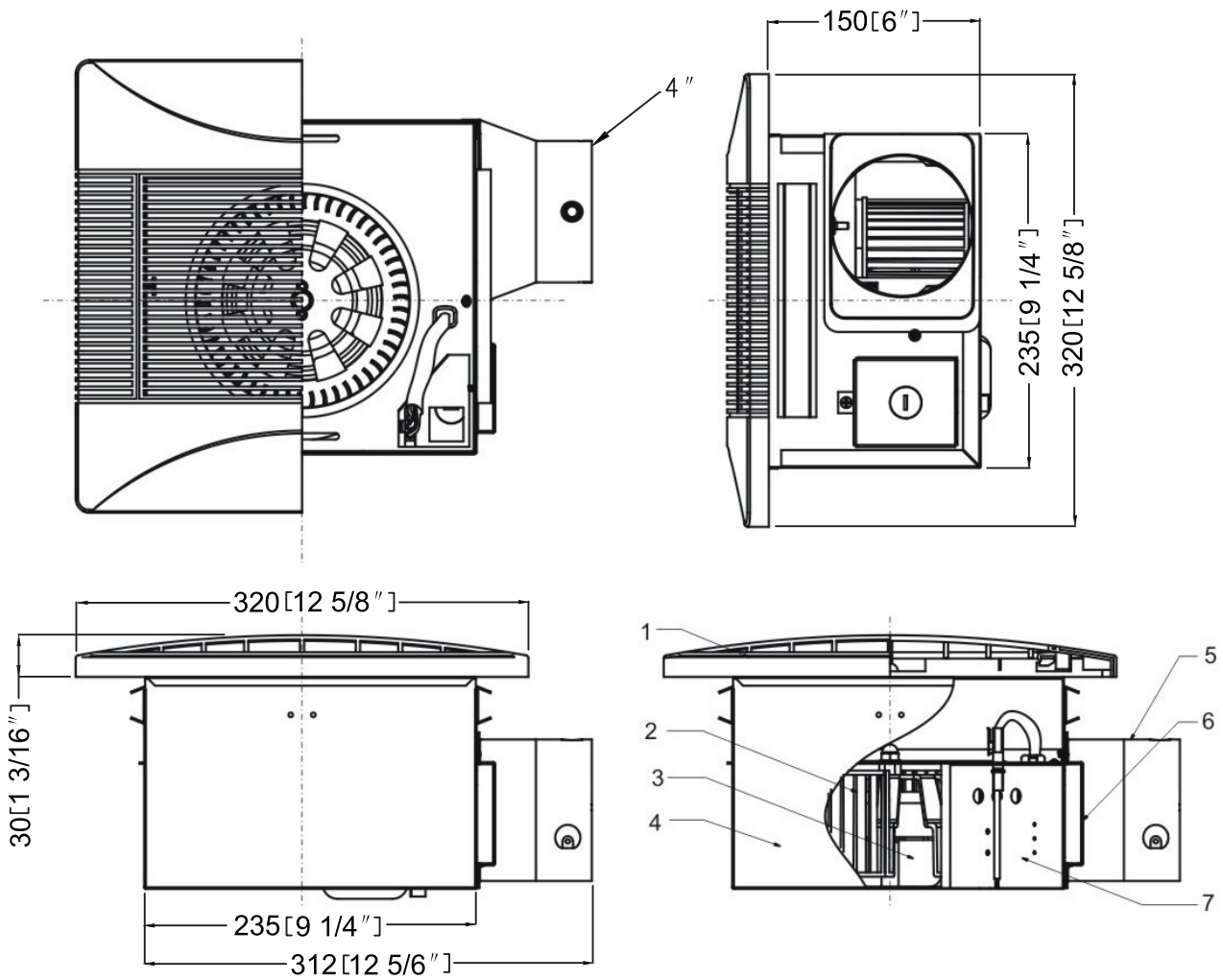
1. Electric Service supply must be 120V 60Hz.
2. Follow all local safety and electrical codes as well as NEC (National Electrical Code) and the OSHA(Occupational Safety and Health Act).
3. This unit must be properly grounded.
4. Always disconnect the power supply prior to servicing the fan, motor or junction box.
5. Do not bend or kink the power wires.
6. Do not install where the air temperature will exceed 40°C(104°F).
7. This ventilating fan is approved for use over a bathtub or shower when installed in a GFCI protected circuit.
8. Do not use to exhaust hazardous or explosive vapors.
9. Do not install in a cooking area.
10. Use this unit in the manner intended by the manufacturer. If you have any questions please call the manufacturer .Customer service number located on last page.
11. Installation work must be carried out by qualified person(s) in accordance to all local and safety codes including the rulers for fire-rated construction.
12. Sufficient air supply is required for proper combustion and the exhausting of gases through the chimney(flue) of fuel burning equipment to prevent back –drafting .See the standards of NFPA (National Fire Protection Association) and ASHRAE(American Society for Heating Refrigeration and Air Conditioning Engineers) and the local building code authorities.
13. Exercise care to not damage existing wiring when cutting or drilling into walls or ceilings.
14. Fans should always be vented to the exterior.
15. If this ventilating fan is installed over a tub or shower, it must be marked as approved for the application.
16. Prior to service or cleaning this unit, shut off power supply at the panel and lock to prevent the power from being turned on. If the panel cannot be locked clearly mark the panel with a warning tag not to turn on the power.
17. Do not install in a ceiling with insulation greater than R40.
18. Ductwork should be installed in a straight line with minimum bends.
19. Duct work size must be a minimum of the discharge and should not be reduced.
20. For UL: the fan is intended to be mounted at least 2.1m(7.feet) above the floor.

List of Parts and Accessories

CFA-D50(BPT16-02E), CFA-D70(BPT16-13E)

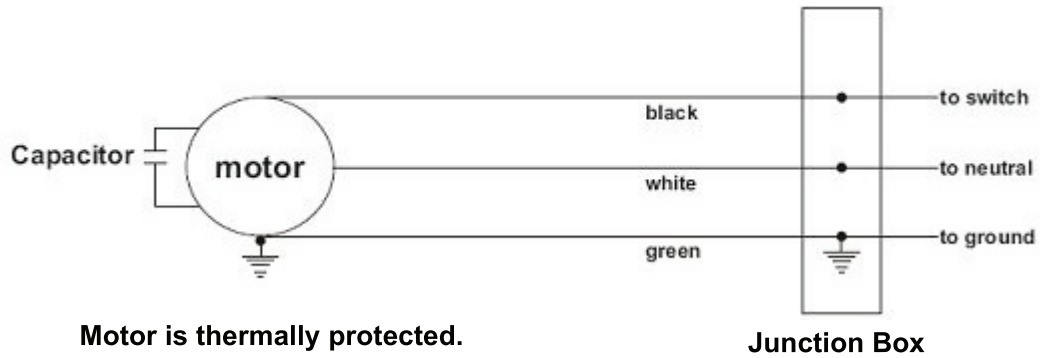
Part name	Appearance	Quantity
Grille		1
Long screw (M4x30)		8
Short screw (M4x6)		4
Suspension bracket I		2
Suspension bracket II		2

DIMENSIONS



No.	Part Name	No.	Part Name
1	Grill	5	Outlet
2	Blower wheel	6	Junction box
3	Motor	7	Wiring board
4	Fan body		

WIRING DIAGRAM



Specifications

Model No.	Air direction	v	HZ	DUCT diameter (inches)	Noise (sone)	Motor Current (Amp)	Speed (rpm)	Air deliver at 0.1" WG (cfm)	Weight Kg(lb.)
BPT16-02E/ CFA-D50	50CFM	120	60	4	1.2	0.16	700	50CFM	3.5
BPT16-13E/ CFA-D70	70CFM	120	60	4	2.0	0.18	750	70CFM	3.5

WARNING:

Turn off electricity at breaker box before beginning installation.

INSTALLATION I (JOIST MOUNTING - I)

1. Insert the suspension bracket into the fan body and adaptor.(select the suspension bracket as shown below) (Fig. 1)

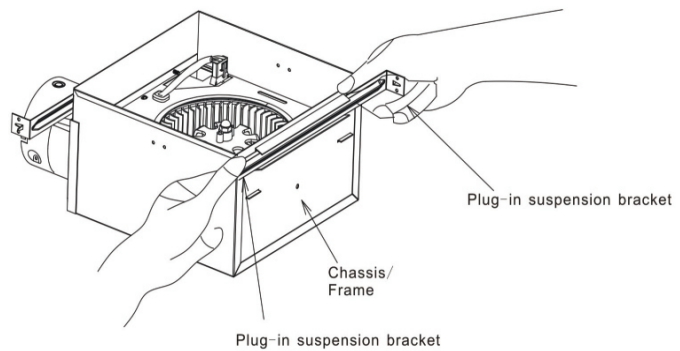


Fig.1

2. Install the suspension bracket to joists by using long screws (M4x30) and secure it to the fan body by using screw II (M4x10).(Fig.2)

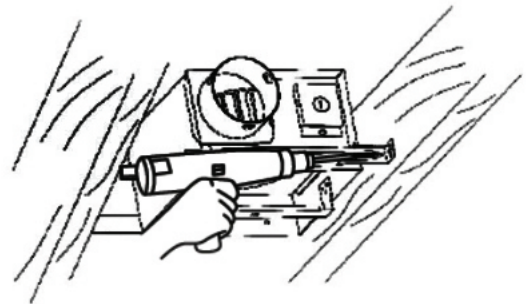


Fig. 2

3 . Refer to wiring diagram of page 4.

Using wire nuts, Connect house power wires to ventilating fan wires: black to black; white to white; green to green. Replace the junction box cover. (Fig. 3)

CAUTION:

Mount junction box cover carefully so that lead wires are not pinched.

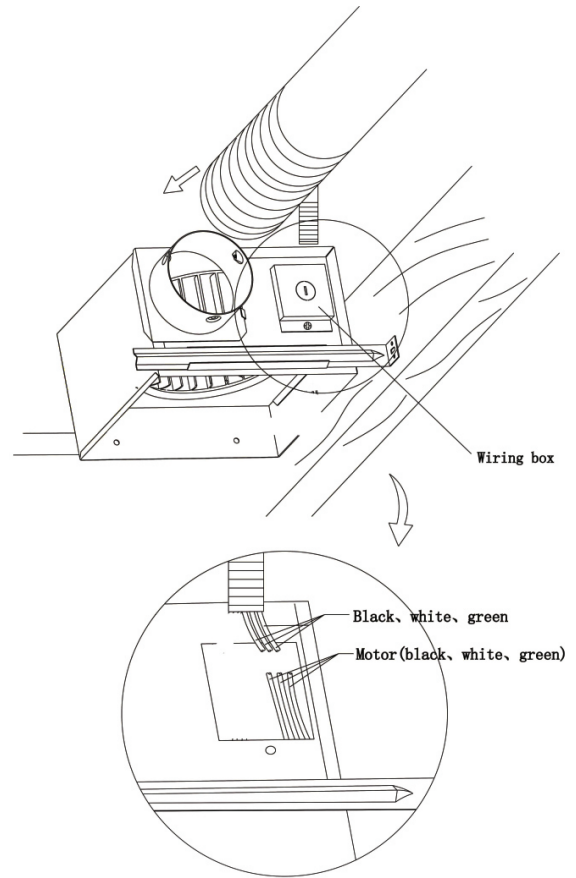


Fig. 3

4. Install a circular duct and secure it with duct tape or clamps.

5. Finish ceiling work. Ceiling hole should be aligned with the edge of the flange.(Fig.4)

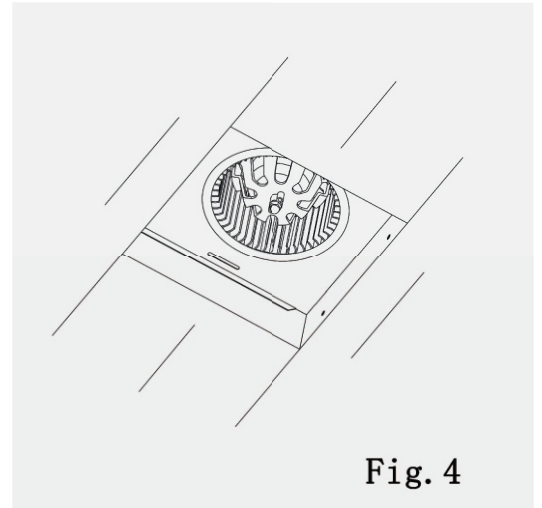


Fig. 4

6. Insert mounting springs into slots as shown and mount grille to fan body. (Fig.5)

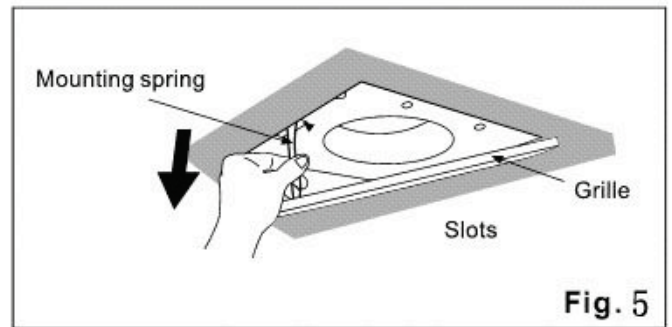


Fig. 5

7. Turn on electricity at bracket box after finishing installation.

INSTALLATION II (IN EXISTING CONSTRUCTION)

1. Installation in existing construction.

Installing the fan body in an existing building requires an accessible area (attic or crawl or space) above the planned installation location or existing ducting and wiring.

(1) To install the fan body, follow the procedures described in installation I . Take the following precautions before installation.

CAUTION:

Check area above planning installation location to be sure that:

1. Duct work can be done and that area is sufficient for proper ventilation.
2. Wiring can be ran to the planned location.
3. No wiring or other obstructions shall interfere with installation.

(2) Inspect duct work and wiring before proceeding with installation.

(3) Plan suitable location for fan body. (next to ceiling joist)

(4) Before installation, provide inspection and maintenance access at a location that will not interfere with installation work shown in installation I .

(5) First, remove ceiling section.

(6) Install fan body.

(7) Continue from step 3-7 of installation I (page 7-8) to complete the installation work.

2. Installation from accessible area above fan location.

(1)New installation from inspect duct work and wiring before proceeding with installation.

(2)Remove ceiling section.

(3)Install fan body.

(4)Continue from step 3-7 of installation I (page 7-8) to complete the installation work.

Maintenance

► Cleaning of the ventilation fan

Unit cleaning periodically is very advisable since dust, molds, grease and other dirt particles can affect the conductivity of the air in the unit.

The procedure should be done as follows:

- ◆ Remove the plastic cover/grille.
- ◆ Wash the cover with luke warm water and use mild detergent (like liquid soap) (avoid harsh detergent or boiling water).
- ◆ Dry the cover with a cloth or kitchen towel.
- ◆ Clean inside the unit with vacuum cleaner (motor shouldn't be in contact with any water or harsh chemicals & liquids.)
- ◆ Dry the body with paper towel.
- ◆ Put the cover back in place.

Questions, problems? Please contact

Factory Service Department

Phone: 1-866-784-6900

Fax: 1-919-554-9374