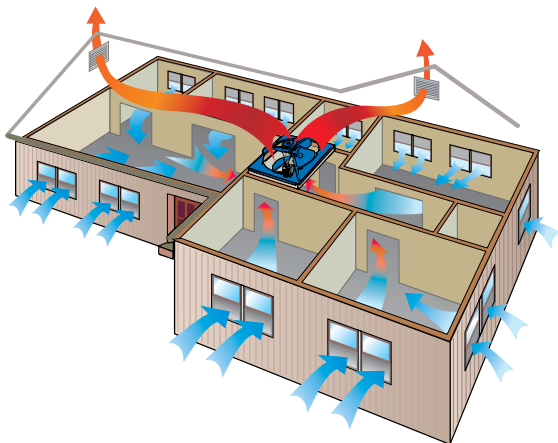




THE COMFORT COOLER

Triangle's Comfort Cooler belt drive whole house fans are an efficient, economical way to cool your home. Comfort Cooler whole house fans feature all welded construction for quiet operation. Our Comfort Cooler Fans will cool your home to the outside temperature 5 to 10 times faster than central air conditioning at less than 1/10th the cost!



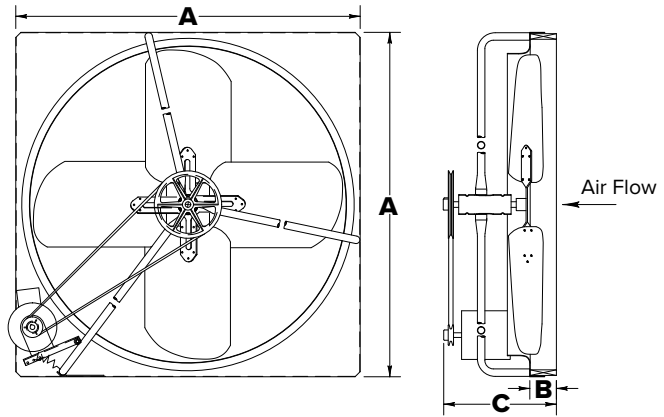
Features

- Two-speed wall switch and switch plate included
- Automatic belt tensioner
- Deep pitch four-wing propeller for maximum air movement
- Bronze polyester powder coated finish
- Rubber mounted ball bearings sealed for life
- 1" x 4" wood frame with rubber vibration and noise dampener
- Heavy gauge steel welded construction for long life and quieter operation
- UL listed
- Optional 12 hour timer available (sold separately)

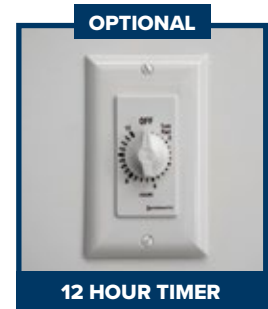
COMFORT COOLER

BLADE DIAMETER	HP	AMP	RPM HI / LO	CFM HI / LO	Square Footage Cooled	Min Free Exhaust Area Required	SHIP WEIGHT (LBS)	MODEL
24	1/3	6.7	560/370	5,600/3,700	up to 800	8 sq ft	57	CC2422
30	1/3	6.7	455/305	7,600/5,100	800-1,200	10 sq ft	64	CC3022
	1/2	8.2	460/305	8,400/5,600	900-1,500	11 sq ft	69	CC3023
36	1/3	6.7	420/280	9,700/6,400	1,200-1,800	12 sq ft	73	CC3622
	1/2	8.2	415/275	10,600/7,100	1,500-2,500	16 sq ft	78	CC3623
42	1/2	8.2	410/270	12,600/8,400	2,200-3,200	18 sq ft	85	CC4223
48	1/2	8.2	305/200	14,500/9,700	2,500-4,000	22 sq ft	110	CC4823

BLADE DIAMETER	DIMENSIONS		
	A	B	C
24"	30"	4"	15"
30"	34"	4"	15"
36"	40"	4"	15"
42"	46"	4"	15"
48"	52"	4"	15"



OPTIONAL TIMER	
12 Hour	FG-12HRTIM



COMFORT COOLER SHUTTER PAIRING GUIDE		
MODEL	Standard Cooling Shutter	No-Cut Joist Shutter
24"CC	AS10	CSS-24
30"CC	AS13	CSS-30
36"CC	AS16	CSS-36
42"CC	AS18	CSS-42
48"CC	AS26	



Automatic Belt Tensioning

