

# 14"

# BLUE 1400

Light-Duty High Performance Floor Fan



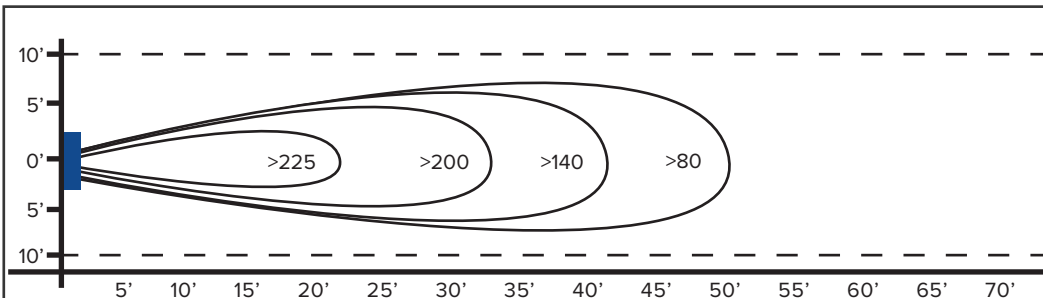
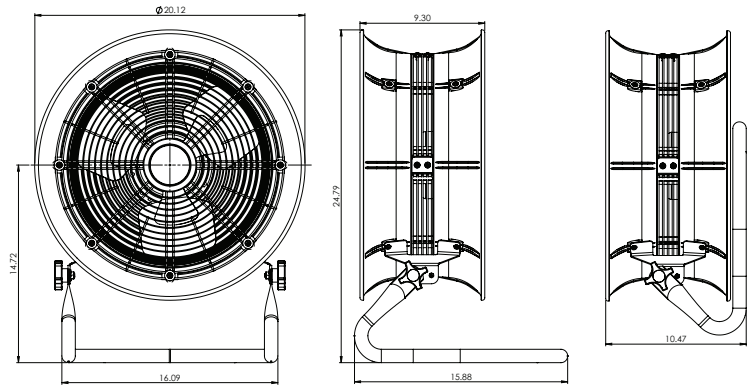
ETL  
Mark  
Pending



## FEATURES

- Propeller:** 14" Diameter, 3 Blade Aluminum
- Fan Inlet/Outlet:** High Impact Polypropylene
- Finger Guards:** UL507 and OSHA Compliant, Zinc Plated
- Motor:** 1.9 Amps, 115 Volt, 230 Watt, 1/3 HP, 3-Speed
- Power Cord:** 6' Length
- RPM:** 1440
- Decibels:** 77 @ 5'

**Warranty:** 1 Year



Above velocities shown in feet/minute.

## AIR FLOW PATTERN