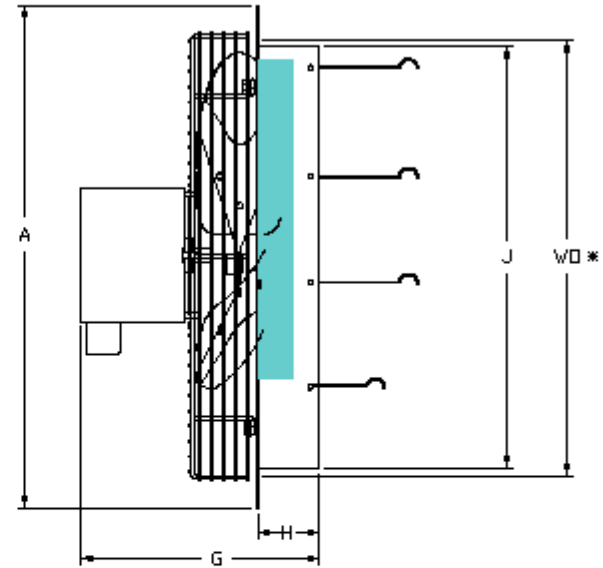
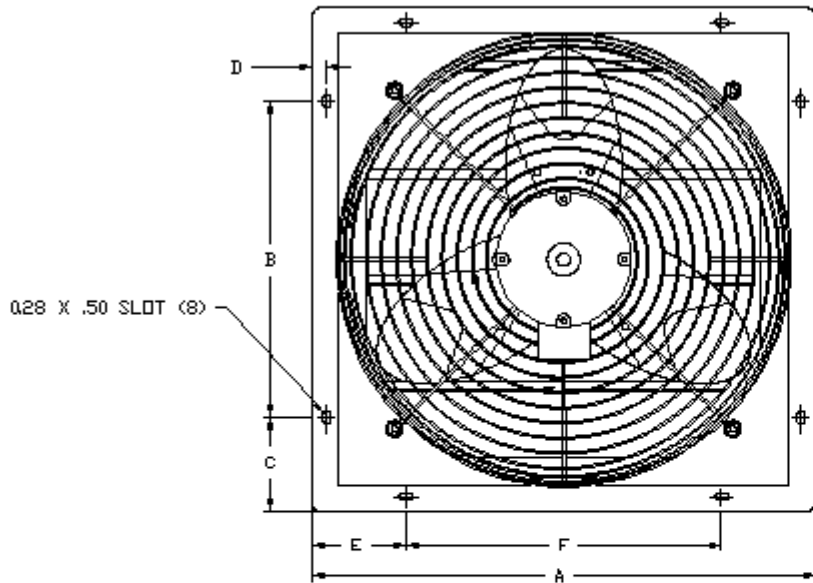


FEPRSM SERIES AXIAL WALL MOUNTED FANS WITH SHUTTERS



FEPRSM  
AXIAL WALL MOUNTED FANS WITH SHUTTER DIMENSIONAL DATA

FAN MODEL	A	B	C	D	E	F	G	H	J	WD *	WEIGHT LB
FEPRSM7	11 1/8	4	3 9/16	9/16	3 9/16	4	8	2 3/8	8	8 1/2	9
FEPRSM10	13 1/8	6	3 9/16	9/16	3 9/16	6	8	2 3/8	10	10 1/2	10
FEPRSM12	15 1/8	8	3 9/16	9/16	3 9/16	8	8	2 3/8	12	13	12
FEPRSM16	19 1/8	12	3 9/16	9/16	3 9/16	12	9	2 3/8	16	17	15
FEPRSM18	21 1/8	14	3 9/16	9/16	3 9/16	14	11 7/8	3	18	18 1/2	19
FEPRSM24	27 1/8	20	3 9/16	9/16	3 9/16	20	12 5/8	3	24	25	60

FEATURES:

- COMPLETELY ASSEMBLED
- OSHA REAR GUARD STANDARD
- TOTALLY ENCLOSED 115 VOLT MOTOR
- BUILT IN SHUTTER
- COMPLETELY ASSEMBLED FOR EASY INSTALLATION

NOTE: \* WALL OPENING