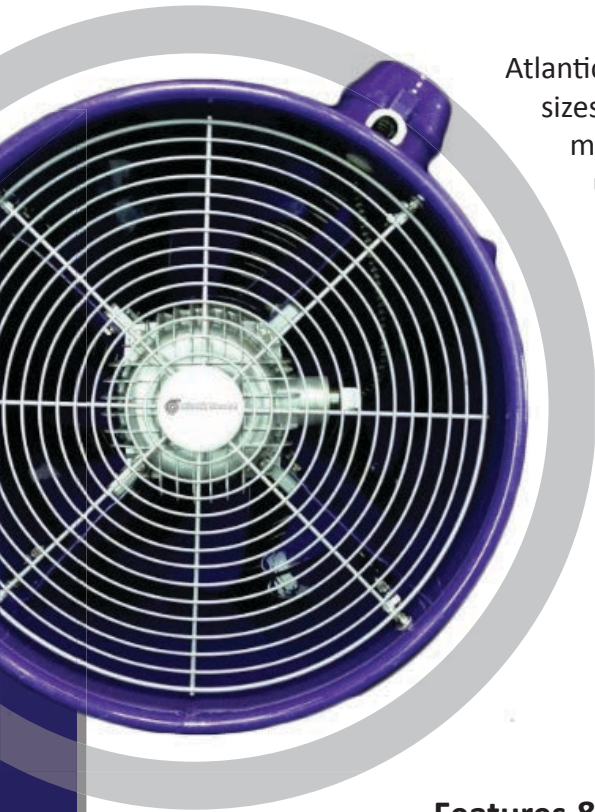




Tube Axial Fans

Atlantic Blowers - Tube Axial Fans



Atlantic Blowers Tube Axial Fans are available in several different sizes ranging from 8 inch to 32 inch blade diameter. They are made with the upmost quality and precision, and can be used for many different applications. The impeller is connected directly to the motor shaft, eliminating any need for belts and pulleys.

Available Options:

Explosion Proof Series:

Class 2 explosion proof motors available. [Ex d IIB T4 Gb]

Rotating Stands:

Ability to change Axial Fan angle and lock into place.

Blades with Adjustable Pitch:

This allows operation over a much wider range of performance.

Features & Benefits:

- Energy Efficient
- Convenient to move with handle or wheels
- Low noise (61db-82db)
- Lightweight Diecast Aluminum Alloy
- Sturdy and powerful with Direct Drive motors
- Lobed Axial Blade Shape
- Adjustable blade pitch



Applications:

- Welding fume exhaust
- Fume hood exhaust
- Spot cooling of heat generating systems
- Paint spray exhaust
- Exhaust heat/cooling of kilns, forges and steel mills
- Exhaust mist and vapor in paper mills
- Personnel cooling in hot work environments
- Process cooling of machinery and/or systems
- Boosts airflow through long ductwork
- General ventilation in factories, warehouses, or garages

Atlantic Blowers - Tube Axial Fans

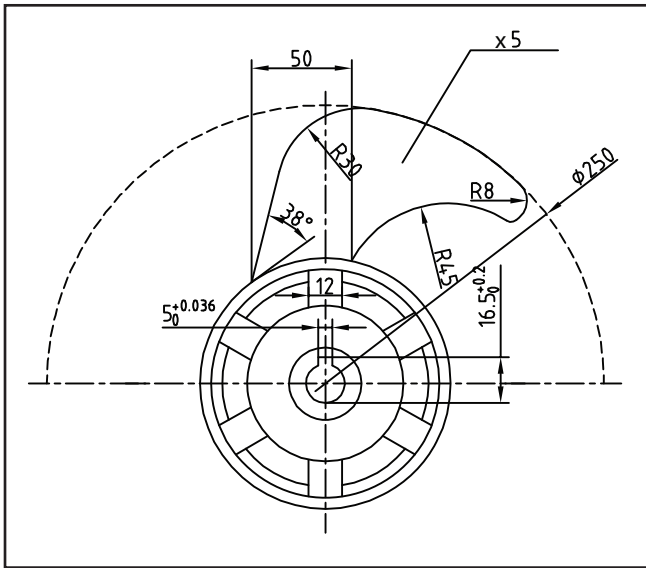
Operational Principles:

Atlantic Blower's Tube Axial Fans all have **inlet bells** and **lobed blades** as standard equipment.

Operational Performance:

Flow Range: 1059 CFM to 16951 CFM
Pressure Range: 1.2 "H₂O to 3.1 "H₂O

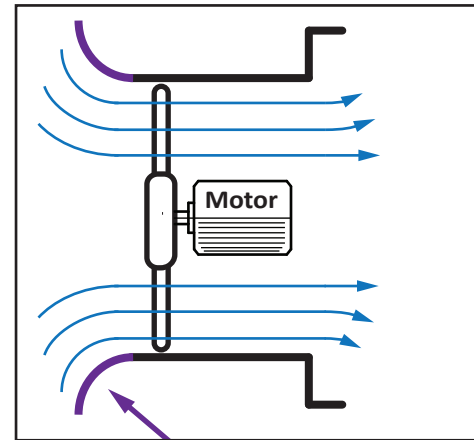
Lobed Blade



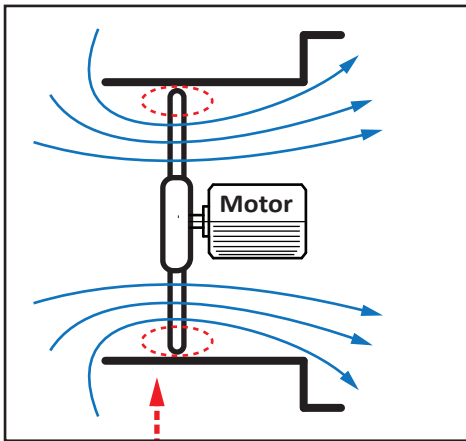
The **lobed blade shape** creates a more laminar flow. This allows the air to flow smoothly and eliminates pulsing. The outer portion of the blade does most of the work, especially with the large surface area rotating the fastest, and moving the most air. This makes for more direct air flow at a high efficiency rate, saving you money, without sacrificing performance.



Airflow with Inlet Bell



Airflow with No Inlet Bell



A properly designed **inlet bell** provides a smooth transition as the air is gathered from all directions into the plane of the fan as shown above.

If a smooth transition is not present, the airflow vectors will not be able to make rapid changes in direction. This creates a "**Vena Contracta**" effect at the blade tip, starving the blade of air in this area. Since most of the work is done by the outer portion of the fan blade, the result can be a loss of efficiency as high as 15-20%. An additional adverse effect can be increased vibration.



Atlantic Blowers - Tube Axial Fans

Phase	Voltage	Model Number	KW	HP	Speed (RPM)	Weight (lbs)	Max Flow (CFM)	Max Pressure ("H ₂ O)	Sound Level (db)	Impeller Diameter
1	110-120	ABAF-8-110	0.23	0.3	3300	24	1059	1.20	61	8"
		ABAF-10-110	0.35	0.5	3300	28	1942	1.40	66	10"
		ABAF-12-110	0.55	0.75	3300	40	2719	1.80	69	12"
	220-240	ABAF-8-220	0.23	0.3	3300	24	1059	1.20	61	8"
		ABAF-10-220	0.35	0.5	3300	28	1942	1.40	66	10"
		ABAF-12-220	0.55	0.75	3300	40	2719	1.80	69	12"

Phase	Voltage	Model Number	KW	HP	Speed (RPM)	Weight (lbs)	Max Flow (CFM)	Max Pressure ("H ₂ O)	Sound Level (db)	Impeller Diameter
1	110-120	ABAF-16-110S	0.55	0.75	1720	63	3355	1.40	68	16"
		ABAF-16-110	1.10	1.50	3300	69	4238	3.10	79	16"
		ABAF-18-110S	0.75	1.00	1720	78	4414	1.60	70	18"
		ABAF-20-110S	1.10	1.50	1720	88	5827	1.80	73	20"
		ABAF-24-110S	2.00	2.70	1720	148	9182	2.20	79	24"
		ABAF-28-110S	2.40	3.20	1720	165	11654	2.60	80	28"
		ABAF-32-110S	2.40	3.20	1120	198	14126	2.20	74	32"
	220-240	ABAF-16-220S	0.55	0.75	1720	63	3355	1.40	68	16"
		ABAF-16-220	1.10	1.50	3300	69	4238	3.10	79	16"
		ABAF-18-220S	0.75	1.00	1720	78	4414	1.60	70	18"
		ABAF-20-220S	1.10	1.50	1720	88	5827	1.80	73	20"
		ABAF-24-220S	2.00	2.70	1720	148	9182	2.20	79	24"
		ABAF-28-220S	2.40	3.20	1720	165	11654	2.60	80	28"
		ABAF-32-220S	2.40	3.20	1120	198	14126	2.20	74	32"
3	380-480	ABAF-32-460	3.00	4.00	1720	198	16951	2.60	82	32"



Model Number Breakdown:

ABAF - 16 - 110 - S - E

- ABAF - Atlantic Blowers Axial Fan
- 16 - Fan Blade Diameter (16")
- 110 - Voltage (110)
- S - Slow Rotation Speeds
- E - Explosion Proof



Tube Axial Fans - Explosion Proof

Phase	Voltage	Model Number	KW	HP	Speed (RPM)	Weight (lbs)	Max Flow (CFM)	Max Pressure ("H ₂ O)	Sound Level (db)	Impeller Diameter
1	110-120	ABAF-12-110E	0.55	0.75	3300	40	2719	1.80	69	12"
		ABAF-16-110SE	0.55	0.75	1720	63	3355	1.40	68	16"
		ABAF-16-110E	1.10	1.50	3300	69	4238	3.10	79	16"
		ABAF-18-110SE	0.75	1.00	1720	78	4414	1.60	70	18"
		ABAF-20-110SE	1.10	1.50	1720	88	5827	1.80	73	20"
		ABAF-24-110SE	2.20	3.00	1720	148	9182	2.20	79	24"
		ABAF-28-110SE	2.60	3.50	1720	165	11654	2.60	80	28"
		ABAF-32-110SE	1.50	2.00	1120	198	14126	2.00	74	32"
	220-240	ABAF-12-220E	0.55	0.75	3300	40	2719	1.80	69	12"
		ABAF-16-220SE	0.55	0.75	1720	63	3355	1.40	68	16"
		ABAF-16-220E	1.10	1.50	3300	69	4238	3.10	79	16"
		ABAF-18-220SE	0.75	1.00	1720	78	4414	1.60	70	18"
		ABAF-20-220SE	0.90	1.20	1720	88	5827	1.80	73	20"
		ABAF-24-220SE	1.80	2.40	1720	148	9182	2.20	79	24"
		ABAF-28-220SE	2.20	3.00	1720	165	11654	2.60	80	28"
3	380-480	ABAF-32-460E	3.00	4.00	1720	198	16951	2.60	82	32"

Explosion Proof Mark:

EX d IIB T4 Gb

Equipment Protection Level

Gaseous atmospheres,
"High" Level of Protection
Zone 1 & 2

Temperature Class

up to 275°F (135°C)

Gas Group

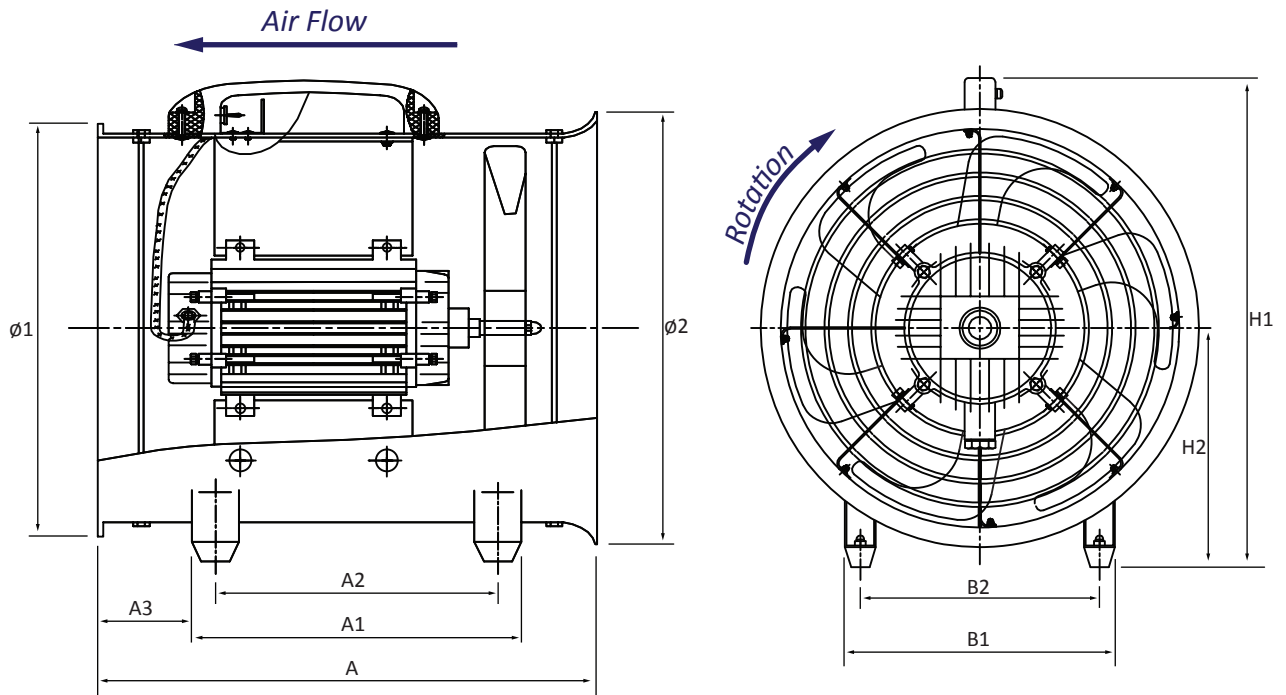
Ethylene (Typical Material)
Propylene Oxide, Butadiene,
Ethylene Oxide, Ethyl Ether
Cyclopropane

Protection Concept

Flameproof Enclosure:
Contains the pressure of an explosion,
Preventing ignition of flammable gas outside the enclosure.



Tube Axial Fans - Dimensions

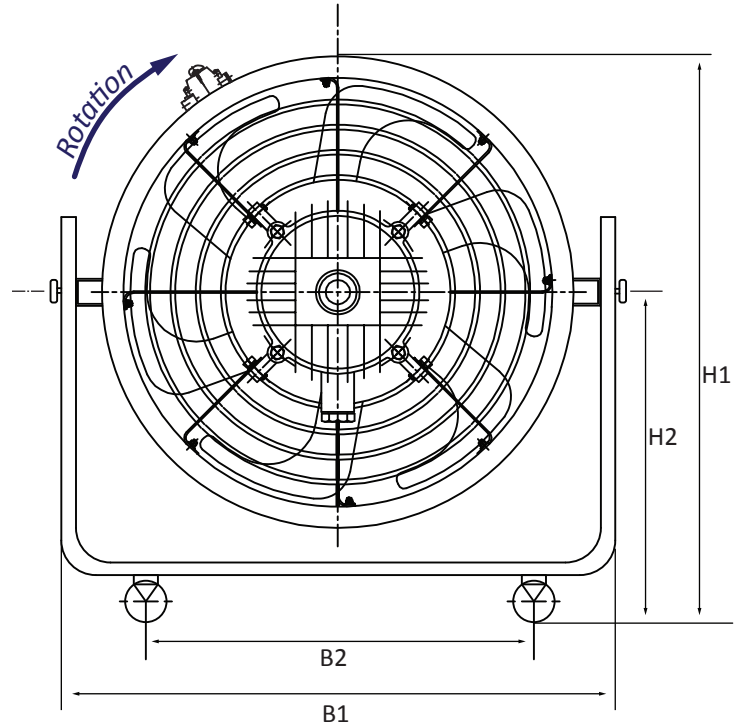
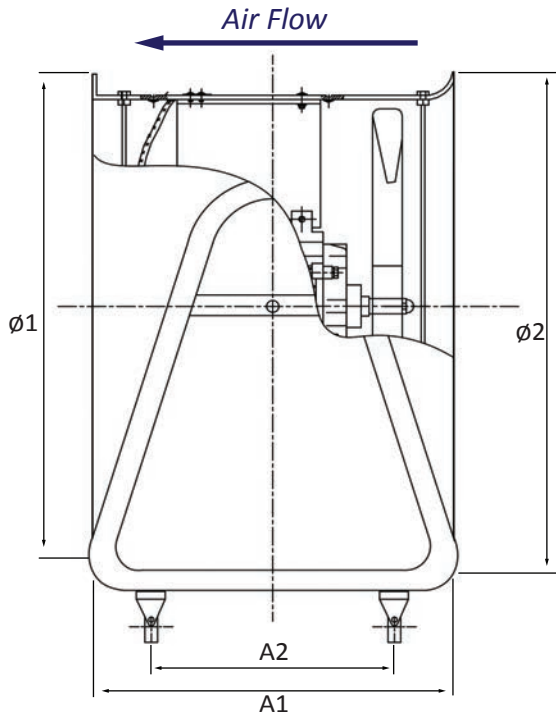


Model No.	$\phi 1$	$\phi 2$	H1	H2	A	A1	A2	A3	B1	B2
ABAF-8	8.66"	10.71"	12.80"	6.30"	13.58"	9.72"	8.27"	1.57"	8.27"	6.69"
	220mm	272mm	325mm	160mm	345mm	160mm	345mm	247mm	210mm	170mm
ABAF-10	11.02"	15.80"	14.76"	7.48"	13.98"	9.72"	8.27"	2.36"	8.27"	6.89"
	280mm	325mm	375mm	190mm	355mm	247mm	210mm	60mm	220mm	175mm
ABAF-12	13.00"	14.96"	16.73"	8.66"	14.96"	10.43"	8.86"	2.36"	10.43"	8.66"
	330mm	380mm	425mm	220mm	380mm	265mm	225mm	60mm	265mm	220mm



Frame Available for ABAF-10

Tube Axial Fans - Dimensions



Model No.	$\varnothing 1$	$\varnothing 2$	H1	H2	A1	A2	B1	B2
ABAF-16	17.13"	18.90"	26.38"	16.93"	17.72"	11.61"	22.64"	12.80"
	435mm	480mm	670mm	430mm	450mm	295mm	575mm	325mm
ABAF-18	19.09"	20.87"	28.35"	17.91"	18.90"	12.80"	24.61"	14.76"
	485mm	530mm	720mm	455mm	480mm	325mm	625mm	375mm
ABAF-20	21.06"	22.83"	30.32"	18.90"	18.90"	12.80"	26.57"	16.73"
	535mm	580mm	770mm	480mm	480mm	325mm	675mm	425mm
ABAF-24	25.00"	26.77"	34.52"	20.87"	22.44"	16.34"	30.51"	20.67"
	635mm	680mm	870mm	530mm	570mm	415mm	775mm	525mm
ABAF-28	28.94"	30.71"	38.19"	22.83"	22.44"	16.34"	34.45"	24.61"
	735mm	780mm	970mm	580mm	570mm	415mm	875mm	625mm
ABAF-32	32.87"	34.65"	42.13"	24.80"	22.83"	16.73"	38.39"	28.54"
	835mm	880mm	1070mm	630mm	580mm	425mm	975mm	725mm



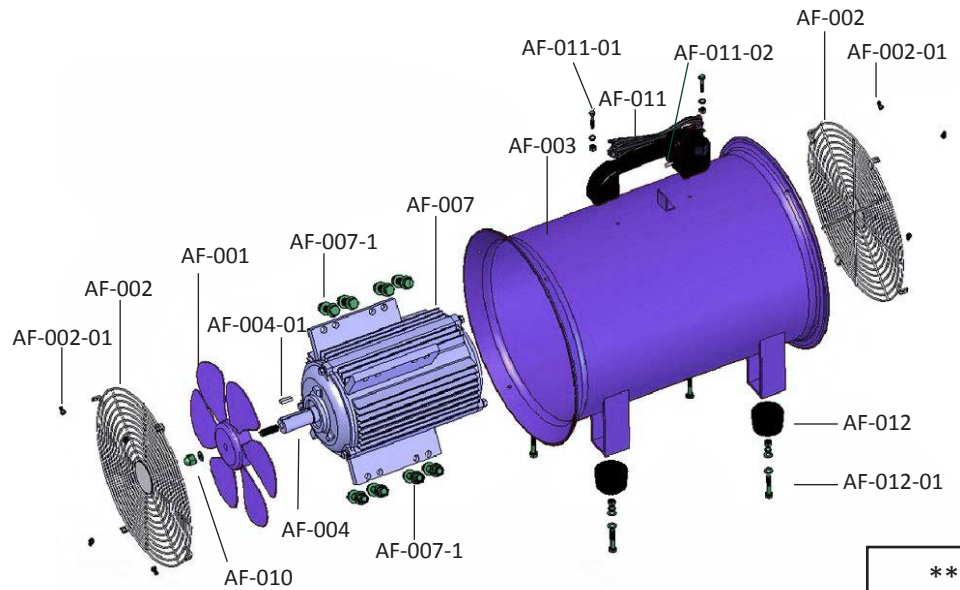
Adjustable Pitch Blades available for:

- ABAF-20
- ABAF-24
- ABAF-28
- ABAF-32



Tube Axial Fans - Part List & Exploded View

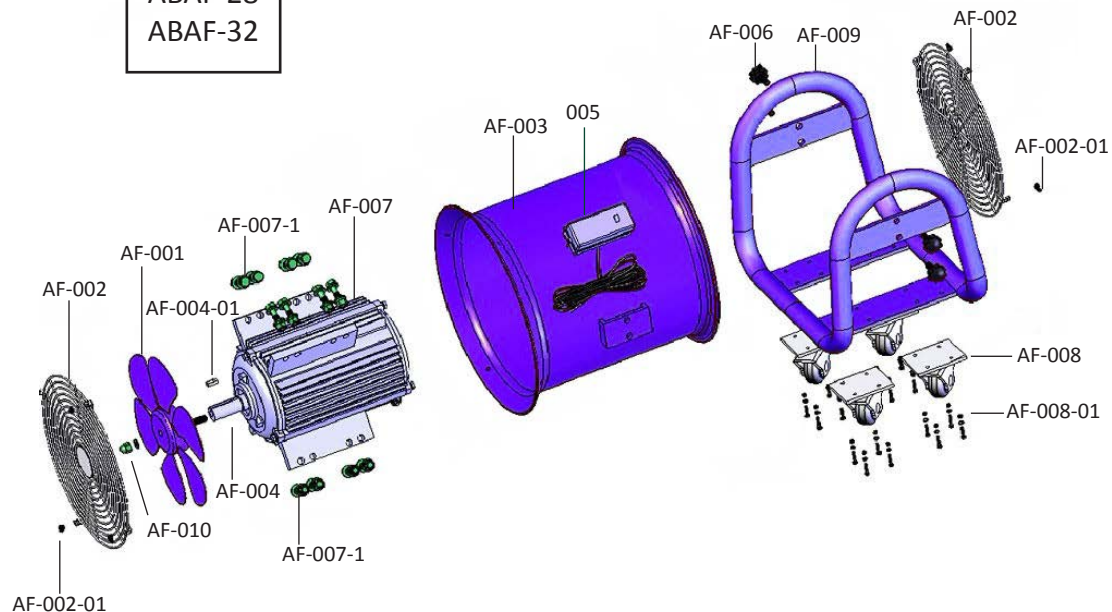
AF-001	Impeller
AF-002	Safety Grill
AF-002-01	Grill Screws
AF-003	Fan Housing
AF-004	Shaft
AF-004-01	Spline
AF-007	Motor
AF-007-01	Motor Bolts
AF-010	Impeller Shaft Screw
AF-011	Rubber Handle
AF-011-01	Handle Screws
AF-011-02	On/Off Switch
AF-012	Rubber Feet
AF-012-01	Foot Screws



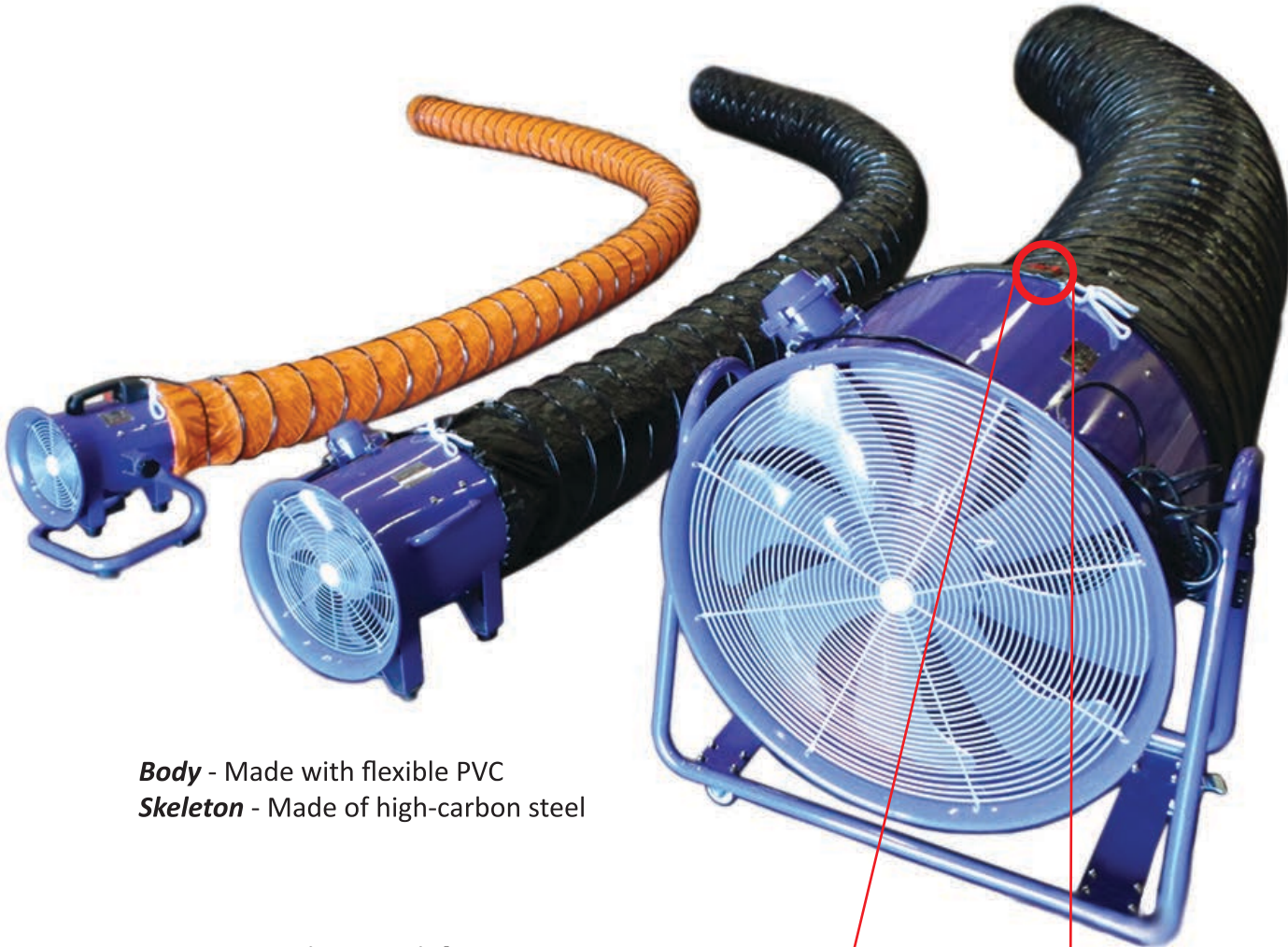
 ABAF-8
 ABAF-10
 ABAF-12

AF-001	Impeller
AF-002	Safety Grill
AF-002-01	Grill Screws
AF-003	Fan Housing
AF-004	Shaft
AF-004-01	Spline
AF-005	On/Off Switch
AF-006	Adjusting Knob
AF-007	Motor
AF-007-01	Motor Bolts
AF-008	Casters
AF-008-01	Caster Screws
AF-009	Rack/Stand
AF-010	Impeller Shaft Screw

 ABAF-16
 ABAF-18
 ABAF-20
 ABAF-24
 ABAF-28
 ABAF-32



Flexible Duct Hose



Body - Made with flexible PVC

Skeleton - Made of high-carbon steel

Duct Hose Size & Weight

Diameter (Inches)	Length (Feet)	Weight (lbs)
8"	25'	10.1lbs
10"	25'	12.4lbs
12"	25'	16.1lbs
16"	25'	19.2lbs
18"	25'	26.9lbs
20"	25'	33.6lbs
24"	25'	40.3lbs
28"	25'	45.9lbs
32"	25'	52.1lbs

Explosion-proof duct hose with grounding clamps.

**Debris going through the hose can cause a buildup in static electricity. The grounding clamps will dissipate this energy.



1225 Capital Dr., Suite 100, Carrollton, Texas 75006, USA

Phone: (214) 233-0280

Fax: (214) 233-0281

Email: sales@atlanticblowers.com