



## *Maintenance Instructions*



# *CX1000 Portable Air Purifier*

## PRODUCT SPECIFICATIONS

Manufacturer:	Continental Fan Manufacturing Inc.
Model:	CX1000 Portable Air Purifier
Unit Dimensions:	21.3" W x 19.0" H x 8.0" D
Unit Weight:	23 lbs
Max Airflow:	265 cfm
Power Consumption:	110 watts
Voltage:	1/120V/60
Maximum Amps:	0.95
UV Range:	254 NM (germicidal)
Filters:	5 micron pre-filter 0.3 micron hospital grade HEPA filter
Service Interval:	UVC lamp - 1 year Filters - 1 year

## REPLACEMENT PARTS

MODEL	DESCRIPTION	SHIP WT (lbs)	BOX SIZE (LxWxH)	UPC CODE
CX1000-RFL	1 Year Kit - Filter Set + 1 UVC Lamp	3.0	19x14x3	6 27249 05217 3
CX1000-RF	Filter Set	3.0	19x14x3	6 27249 05216 6
CX1000-RL	UVC Lamp (1 Only)	3.0	13" Tube	6 27249 05218 0
CX1000-PF	Pre-Filter	3.0	19x14x3	6 27249 05215 9
CX1000-HF	HEPA Filter	3.0	19x14x3	6 27249 05214 2

Replacement parts are available from the following sources:

- Your local HVAC wholesaler or contractor
- Continental Fan Manufacturing Inc., Buffalo, NY (1-800-779-4021)
- [www.continentalfan.com](http://www.continentalfan.com)

## BEFORE INSTALLATION

### IMPORTANT NOTICE! READ AND SAVE THESE INSTRUCTIONS



#### WARNING

To reduce the risk of electric shock and injury, do not place in a window.

1. **CX1000 Portable Air Purifier** is designed to be used on a flat and level surface, and may not work properly on an uneven surface.
2. Always place the **CX1000** at least 12 inches (30 centimeters) away from heat sources such as stoves, radiators, or heaters.
3. Do not immerse the **CX1000** in water, as permanent damage may occur.

Before using the **CX1000**, extend the power cord and inspect for any signs of damage. Do not use the unit if the power cord has been damaged.

Do not move the **CX1000** while it is in operation.

Always unplug the **CX1000**:

- When it is not in operation
- When cleaning the unit
- Prior to moving it
- When changing the filters or UVC light

After servicing the unit, both the front and top grille assemblies must be reinstalled in exactly the same manner as prior to removal. If either grille is not reinstalled properly, the **CX1000** will not function. This is a built-in safety feature.

## UNPACKING

Before unpacking the unit, inspect the shipping container for visible damage. If you feel that you may have received the unit in a damaged condition, notify the shipper or supplier before opening the container. Remove the unit from the box and inspect it for damage. Handle it carefully. Do not drop it!

## INSTALLATION

#### NOTICE

**THIS PRODUCT IS DESIGNED FOR INDOOR USE ONLY.**

Place the **CX1000 Portable Air Purifier** in a location that will not restrict airflow through either the air inlet or the air outlet. Plug in the electric cord at the nearest electrical wall outlet. The **CX1000** will perform a diagnostic test of indicator lights and functions when plugged in the wall outlet. This will only happen once unless the system is unplugged from the wall and reinstalled.

## OPERATION

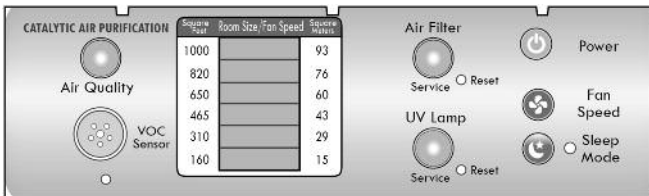
1. Press the **Power** button on the **Control Panel** to turn on the **CX1000**. Lights on the panel will illuminate and the UVC lamp will turn on (Fig. 1).
2. Look into the air outlet at the top of the **CX1000** to confirm that the UVC lamp is operating with a faint blue glow.
3. Set the fan speed to the correct room size.

Room area (length x width) is listed in both square feet and square meters at either side of the green bar light panel underneath **Room Size / Fan Speed**. Determine the area of the room. Press the **Fan Speed** button (Fig. 1) until the green bar light reaches the corresponding size of the room.

**NOTE:** The **Air Quality** light may turn red on startup until the surrounding air quality improves. When the **Air Quality** light is red, the airflow is automatically increased by two power levels. The lowest fan speed cannot be reached until the **Air Quality** light turns orange and then green as air quality reaches a safe level.

4. Press the **Sleep Mode** button (Fig. 1), if desired, to reduce fan noise. A green LED light to the right of the button will illuminate. Since there is no movement in a room while sleeping, air purification requirements are reduced. **Sleep Mode** will reduce fan speed to a minimum, while maintaining constant airflow. Press the **Sleep Mode** button again to resume normal operation.

Fig. 1 - Control Panel



## AIR QUALITY MONITORING

The **VOC Sensor** continually monitors the air quality in the room, as follows:

- **Green** light - Good air quality
- **Orange** light - Poor air quality
- **Red** light - Bad air quality

Airflow is automatically increased by two fan speeds when the **Air Quality** light turns red; it will return to the preset fan speed when the light turns orange. It is normal for the light to turn red during periods of house cleaning, painting, or cooking meals.

## MAINTENANCE

**Control Panel** lights indicate when maintenance is required, and if either the UVC lamp or the air filters need to be cleaned or replaced.

## AIR FILTERS

The filters have a useful life of one year in a typical residential environment.

- **Green** light - Filters are clean.
- **Orange** light - Filters have been in service for more than 5 months.
- **Red** light - Filters have been in service for more than 6 months and require cleaning. Remove the front grill and vacuum the top pre-filter to maintain maximum airflow. The filter does not need to be replaced at this time.

Replace the grille and lightly press the **Air Filter Reset** button on the **Control Panel** with a pin or similar object to reset the filter replacement timer.

When the **Air Filter** and **UV Lamp** service lights both turn red, filters and UVC lamp have been in service for one year and need to be replaced.

See page (7) for instructions on **Replacing Filters**.

## UV LAMP

The UVC lamp has a useful life of one year (9,000) hours, with a one-month grace period.

- **Green** light - UVC lamp is operating properly.
- **Orange** light - UVC lamp has been in service for more than 11 months. It is time to order a new UVC Lamp and replacement filters.
- **Red** light - UVC lamp has been in service for more than 12 months. The lamp and filters should be replaced.

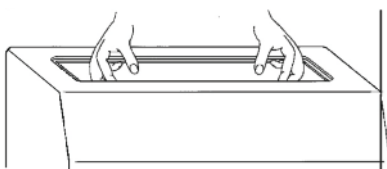
See page (6) for instructions on **Replacing UVC Lamp**.

## REPLACING UVC LAMP

When the **UV Lamp** light on the **Control Panel** (Fig. 1) turns orange, the UVC lamp should be replaced within 30 days.

1. Turn the unit off and unplug the power cord from the electrical outlet.
2. Using index fingers, squeeze the locking tabs inward toward the center of the grille. Lift the grille and remove (Fig. 2).

Fig. 2



3. Rotate UVC lamp one-quarter turn, top-to-rear, and remove lamp (Fig. 3).
4. Insert new UVC lamp by rotating one-quarter turn (top-to-front).
5. Replace grille by pressing it into position until it locks. The aluminum reflector must be positioned over the lamp nearest the front of the unit (Fig. 3a).
6. Reset UVC lamp timer by lightly pressing the **UV Lamp Reset** button on the **Control Panel** with a pin or similar object. The **UV Lamp** light will turn green, indicating the timer has been reset.

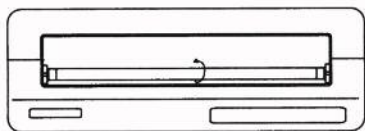


Fig. 3

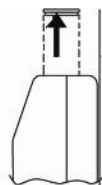


Fig. 3a

## REPLACING FILTERS

When the **Air Filter** and **UV Lamp** service lights on the **Control Panel** (Fig.1) turn red, the filters and UV lamp should be replaced.

1. Turn the unit off and unplug the power cord from the electrical outlet.
2. Rest the air purifier on its back to access the bottom of the unit (Fig. 4).
3. Press in the locking clips at each end of the front grille.
4. Lift the bottom of grille and slide it out from the top of the unit (Fig. 5).
5. Pull out the two filters individually and discard them.
6. Install the new white HEPA filter (labeled second stage) in lower slot, with its white layer facing upward (Fig. 6).
7. Install the new pre-filter (labeled first stage) in the remaining slot, with its white or green side facing upward.
8. Replace grille by sliding upper end into grille slot, and snap the bottom into place so that it locks.
9. Reset the filter replacement timer by lightly pressing the **Air Filter Reset** button on the **Control Panel** with a pin or similar object. The **Air Filter** light will turn green, indicating the timer has been reset.

Restore the **CX1000** to normal operation as follows:

1. Set the unit in its normal operating position.
2. Plug the power cord into the wall outlet.
3. Press the **Power** button and reset the fan speed to resume normal operation. See page (4).

Fig. 4

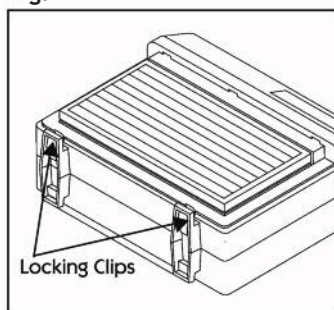


Fig. 5

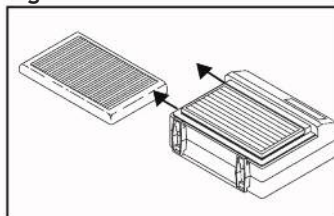
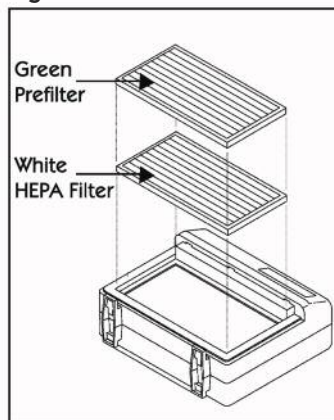


Fig. 6



## LIMITED WARRANTY

Subject to the provisions of the clauses herein, Vendor agrees to correct any defect or defects in workmanship or materials which may develop under proper and normal use, by repair or by replacement of the defective part or equipment, at Vendor's option, FOB factory. Unless otherwise stated, the warranty period shall be one (1) year from date of shipment. The exceptions to this warranty period are:

CX Air Purifiers - Two (2) years

This warranty is provided to the original Buyer, and may not be transferred, sold or bartered. Motors, drives, electrical controls and other components manufactured for Vendor by others are not covered by these warranty provisions. All warranty claims must be processed through point of purchase. All warranty repair work must be performed either at the factory or by a factory certified service center. For additional information regarding warranties, see Vendor document: Limited Warranty-1105.

[www.continentalfan.com](http://www.continentalfan.com)

— *better* AIRFLOW *by* DESIGN

**USA - Continental Fan Manufacturing Inc.**

203 Eggert Road, Buffalo, NY 14215  
T: 716-842-0670 • F: 716-842-0611

**Canada - Continental Fan Canada Inc**

12-205 Matheson Blvd E, Mississauga, ON L4Z  
T: 905-890-6192 • F: 905-890-6193