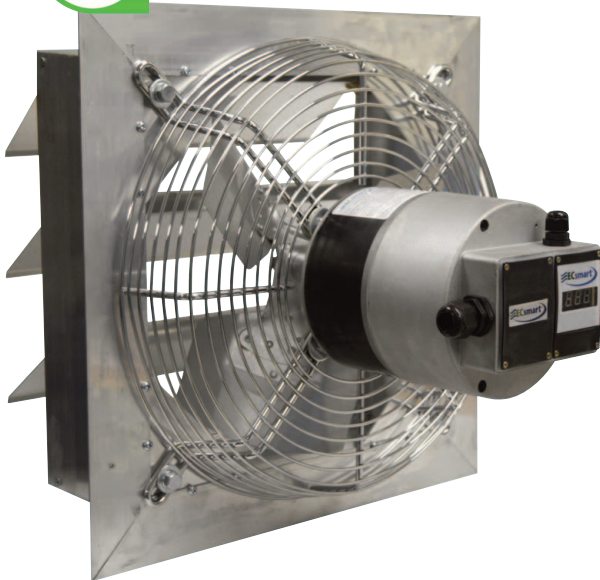




NEW

AX-EC - SHUTTER MOUNTED FANS

Designed for Industrial, Commercial & Farming applications.



May not be as shown

The AX-EC series exhaust fan is a sturdily constructed, direct drive, horizontal discharge fan that is typically used for general ventilation of factories, garages, warehouses and other industrial or commercial buildings.

Models are equipped with variable speed, high efficiency EC motors.

The AX-EC series housings are constructed of heavy duty aluminum with built in shutters that automatically open when the fan starts and gravity closes when the fan stops.

Up to 70% energy savings with EC Motors.

FEATURES

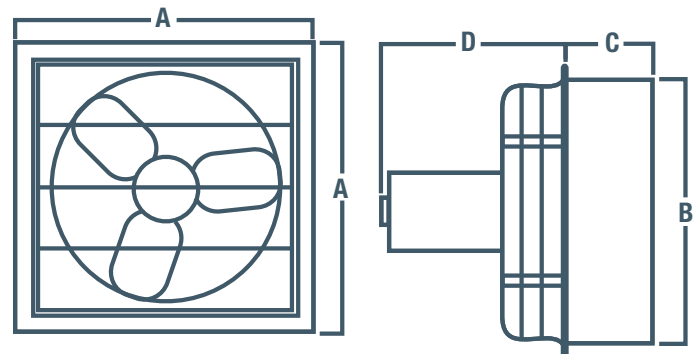
- Sturdily constructed from all-aluminum extrusions.
- 8" - 20" models have heavy wire chrome plated OSHA guards on intake side of fan.
- Variable speed, high efficiency EC Motor.
- Ships fully assembled.
- Fans can be shipped via UPS

SPECIFICATIONS

MODEL	SPEED	BLADE DIAMETER	RPM	HP	VOLTAGE	AMPS (FLA)	WEIGHT (LBS)	dB(A) @5 ft	CFM @ STATIC PRESSURE				FRAMING DIMENSIONS
									0.00"	0.10"	0.125"	0.25"	
AX08-ECV	Variable	8"	1800	1/4	115/208-280	2.8/1.7-1.3	12	48	360	270	230	0	12" X 12"
AX10-ECV	Variable	10"	1800	1/4	115/208-280	2.8/1.7-1.3	13	56	690/580	590/460	570/390	0	12" X 12"
AX12-EC	Variable	12"	1800	1/4	115/208-280	2.8/1.7-1.3	32	60	1650	1540	1510	1390	14" X 14"
AX14-EC	Variable	14"	1800	1/4	115/208-280	2.8/1.7-1.3	34	65	2180	2080	2060	1890	16" X 16"
AX16-EC	Variable	16"	1800	1/4	115/208-280	2.8/1.7-1.3	36	63	2370	2270	2210	2063	18" X 18"
AX18-EC	Variable	18"	1800	1/3	115/208-280	3.5/2.2-1.7	37	73	3200	3090	3040	2920	20" X 20"
AX20-EC	Variable	20"	1800	1/2	115/208-280	5.3/3.3-2.6	45	77	3440	3240	3180	2930	22" X 22"
AX24-EC	Variable	24"	1200	1/2	115/208-281	5.7/3.5-2.8	56	70	5500	5400	5310	5100	26" X 26"
AX30-EC	Variable	30"	1000	3/4	115/208-282	9.5/5.2-4.2	72	82	8000	7000	6000	5000	33" X 33"
AX36-EC	Variable	36"	1000	3/4	115/208-283	9.5/5.2-4.2	88	84	10000	8500	8000	6200	39" X 39"

DIMENSIONS

MODEL	A	B	C	D
AX08-EC	14 3/4"	11 3/4"	5"	9.5"
AX10-EC	14 3/4"	11 3/4"	5"	9.5"
AX12-EC	16 3/4"	13 3/4"	5"	11"
AX14-EC	18 3/4"	15 3/4"	5"	11"
AX16-EC	20 3/4"	17 3/4"	5"	11"
AX18-EC	22 3/4"	19 3/4"	5"	12"
AX20-EC	24 3/4"	21 3/4"	5"	12"
AX24-EC	28 3/4"	25 3/4"	5"	12"
AX30-EC	35 1/4"	32 3/4"	5"	13"
AX36-EC	41 1/4"	38 3/4"	5"	11"



ACCESSORIES

- 0V to 10V controls
- Thermostats
- Front guard
- Weather hoods

For a complete listing on all available accessories, see page D17.

For a complete listing of all available hoods, see page D11.

For all available control options, see Controls & Thermostats tab.