

THE MASTER BREEZE™

Triangle's Master Breeze pedestal fans have a superior design and proven performance that provide powerful, convenient air circulation wherever its needed. Master Breeze fans are perfect for factories, shops, garages and event venues.

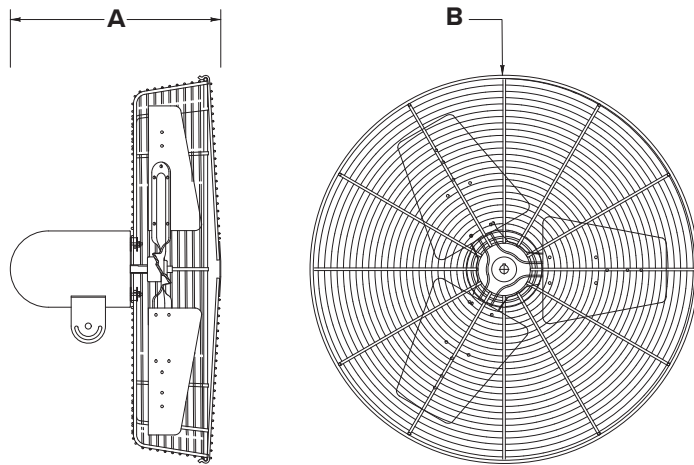
Features

- Easy to assemble
- Balanced three paddle aluminum blade
- 115V, 60Hz, single phase motors with thermal overload protection
- Three-speed motor
- 10' power cord



MASTER BREEZE

Model	Diameter	HP	Amps	CFM	RPM	Approximate Weight
AMB2421H	24"	1/4	6.2	6,100 / 4,300	1100	66
AMB2423H	24"	1/2	6.2	7,800 / 5,300	1100	66
AMB3021H	30"	1/4	6.2	7,200 / 5,400	1100	66
AMB3023H	30"	1/2	6.2	8,800 / 6,400	1100	66



Dimensions "AMB" Series

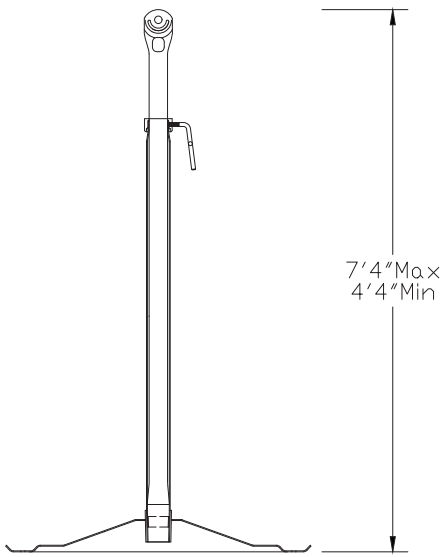
Diameter	A	B
24"	16"	28"
30"	16"	34"

Available Mounting Equipment

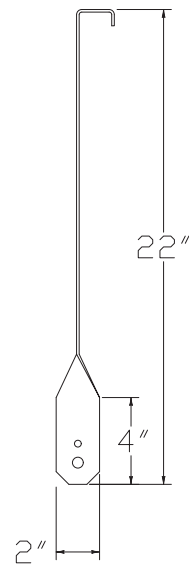
Description	Part Number
Pedestal Base	2430PB-AMB
Column Mount	2430WC
Ceiling Mount	2430S
Wheel Kit for Pedestal Base	2430WK

MASTER BREEZE MOUNTING EQUIPMENT

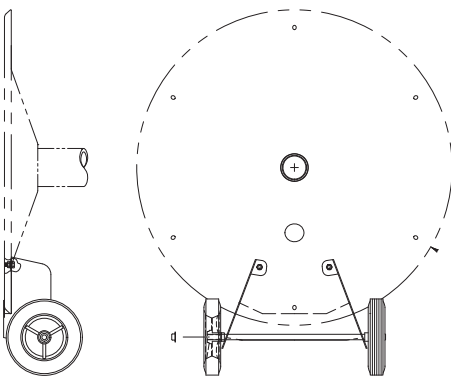
Triangle's Master Breeze is designed to accommodate a wide range of mounting options. Our mounting options include a pedestal base, a ceiling mount, a column mount and a wheel kit that can be attached to the pedestal base for maneuverability. Mounting hardware not included.



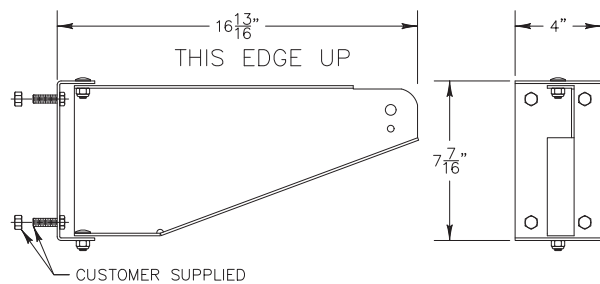
Pedestal Base



Suspension Mount



Wheel Kit



Column Mount