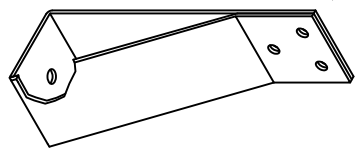


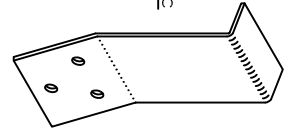
1

Isometric View

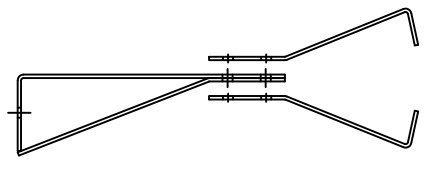


2

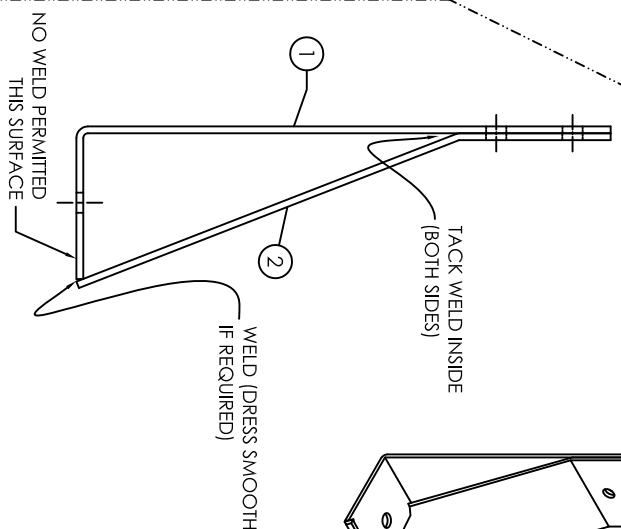
Isometric View



3



1



1

2

CM Assembly

Weldment

A	REDESIGNED AND REDRAWN	11-19-04	WOC
LTR	REVISION DESCRIPTION	DATE	BY
CAD PATH: E:\DRAW\FAAN\MOUNTS\CM			
SIZE	SCALE	DWG. NO.	REV.
	NONE	CM	A
SHEET 1 OF 1			

3	2	7 GA. HRPO X 52 SQ. IN. APPROX. EACH
2	1	7 GA. HRPO X 48 SQ. IN.
1	1	7 GA. HRPO X 72 SQ. IN. APPROX.
ITEM NO.	QTY	MATERIAL DESCRIPTION
DRAWN: THIS DATE: 11-19-04		
CHECK: DATE:		
DESIGN: DATE:		
TITLE		
CEILING MOUNT		
AIRMAX		