

BASE MODEL	FAN SIZE	TUBE SIZE	TUBE PASSES	CONNECTION TYPE&SIZES	EXCHANGER COATINGS	CABINET OPTIONS PAINT	LOUVRES	ENCLOSURE	MOTOR SPECS
AH	12A	A	1	A	1	A	1	1	A

SERIES	
HORIZONTAL	

FAN SIZE	
12"	12A

FINNED TUBING					
TUBING	WALL THICKNESS	ROWS	FINS/INCH	MATERIAL	TYPE
5/8"	0.065"	3	10	AL	TW A
1"	0.083"	2	9	AL	EX B
1"	0.135"	2	5	AL	EX C

TW=TENSION WOUND  
EX=EXTRUDED  
AL=ALUMINUM

TUBESIDE PASSES	HEATER SIZES AVAILABLE
1-PASS	12"
3-PASS	12"
5-PASS	N/A
7-PASS	N/A

CONNECTIONS	
A	1 1/2" NPT MALE SCH. 40
B	1 1/2" 300# RF FLANGE
C	2" NPT MALE SCH. 80
D	2" 300# RF FLANGE

MOTOR ELECTRICAL SPECS			
	VOLTS	PHASE	HERTZ
A	115	1	60
B	208	1	60
C	208	3	60
D	230	1	60
E	230	3	60
F	460	1	60
G	460	3	60
H	575	3	60
I	220	1	50
J	380	3	50
K	440	3	50

MOTOR ENCLOSURE	
1	TOTALLY ENCLOSED
2	X-PROOF, GR C, D, E, F & G

DISCHARGE TYPE	
2-WAY ALUMINUM LOUVRES	

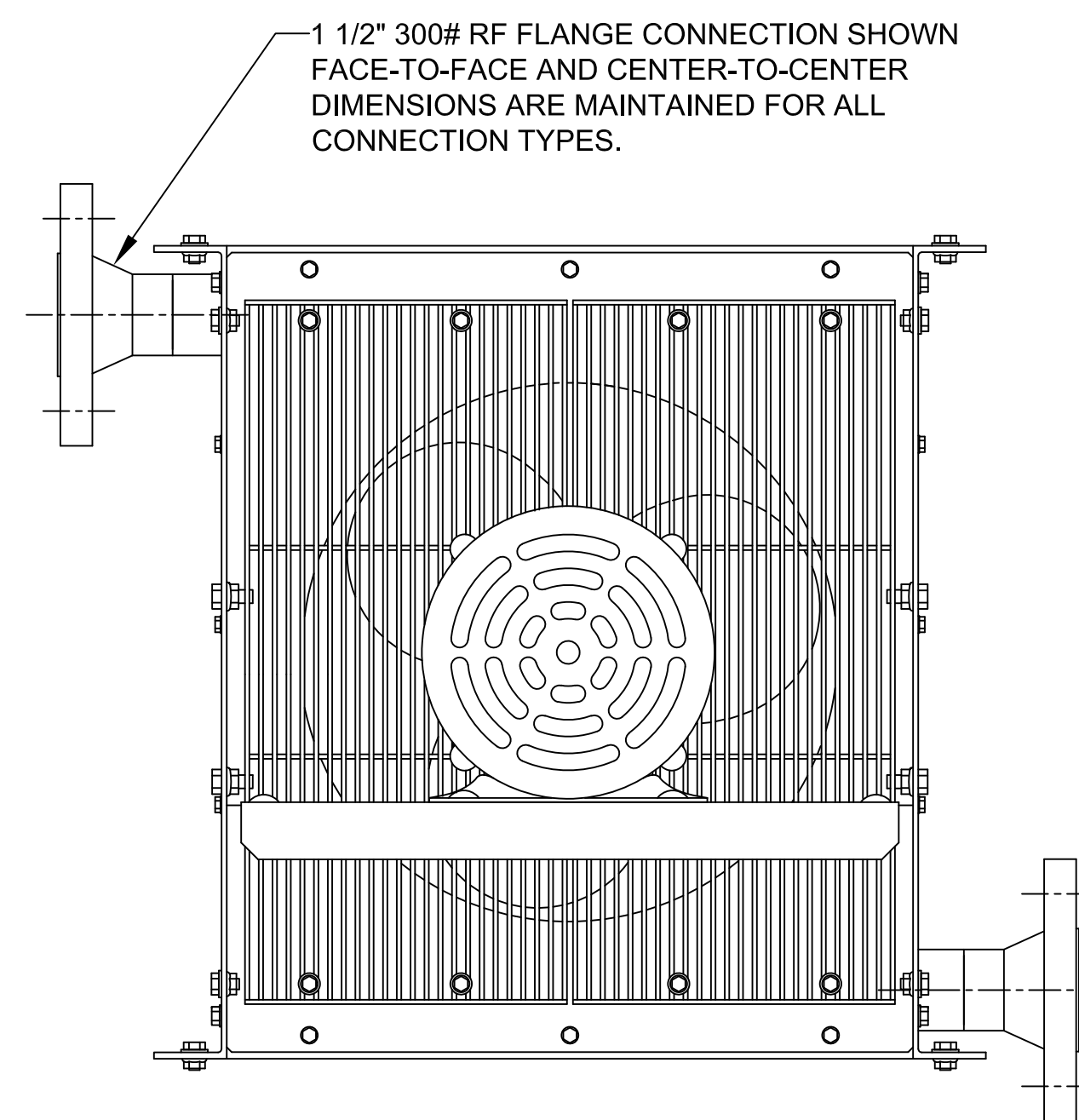
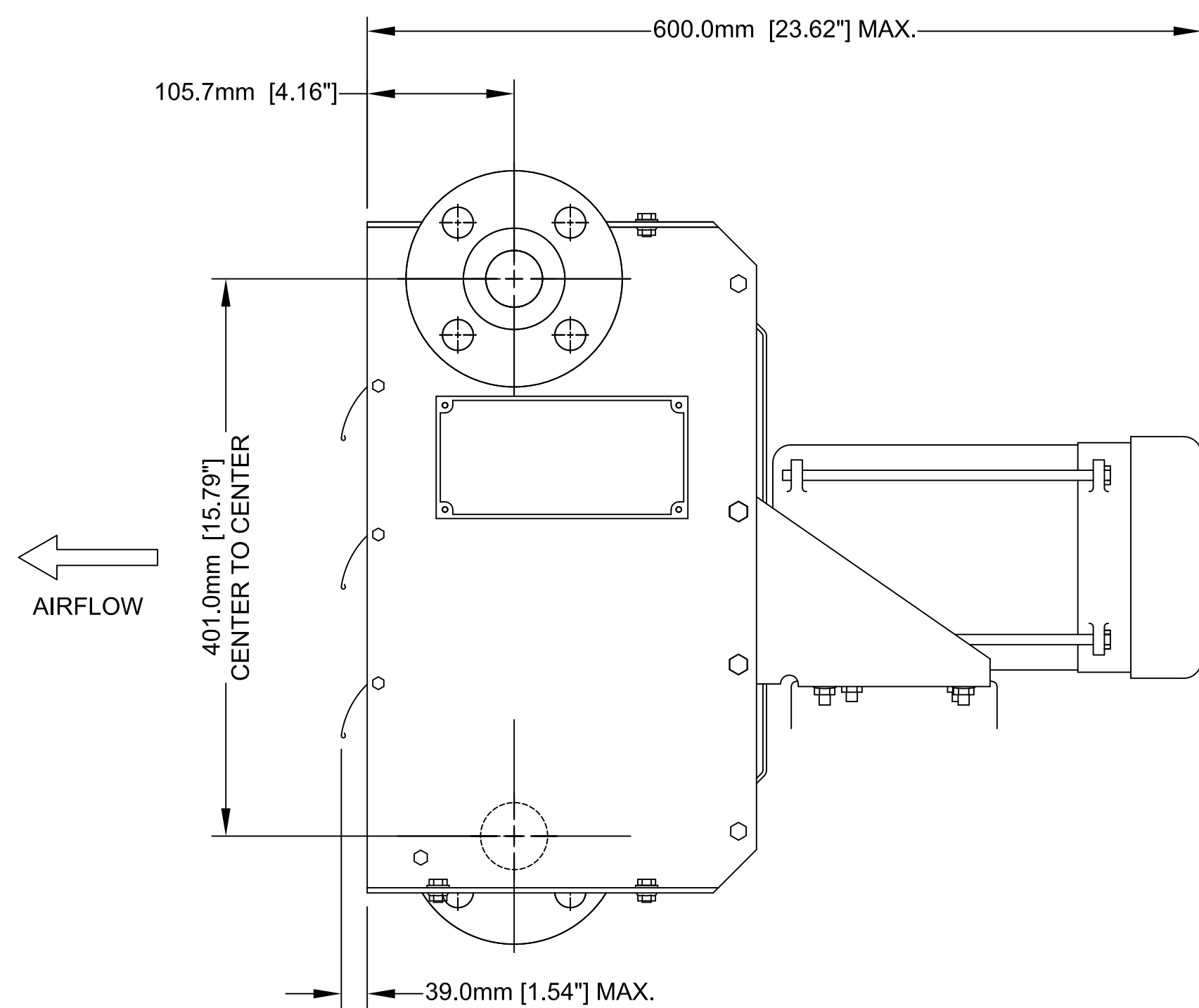
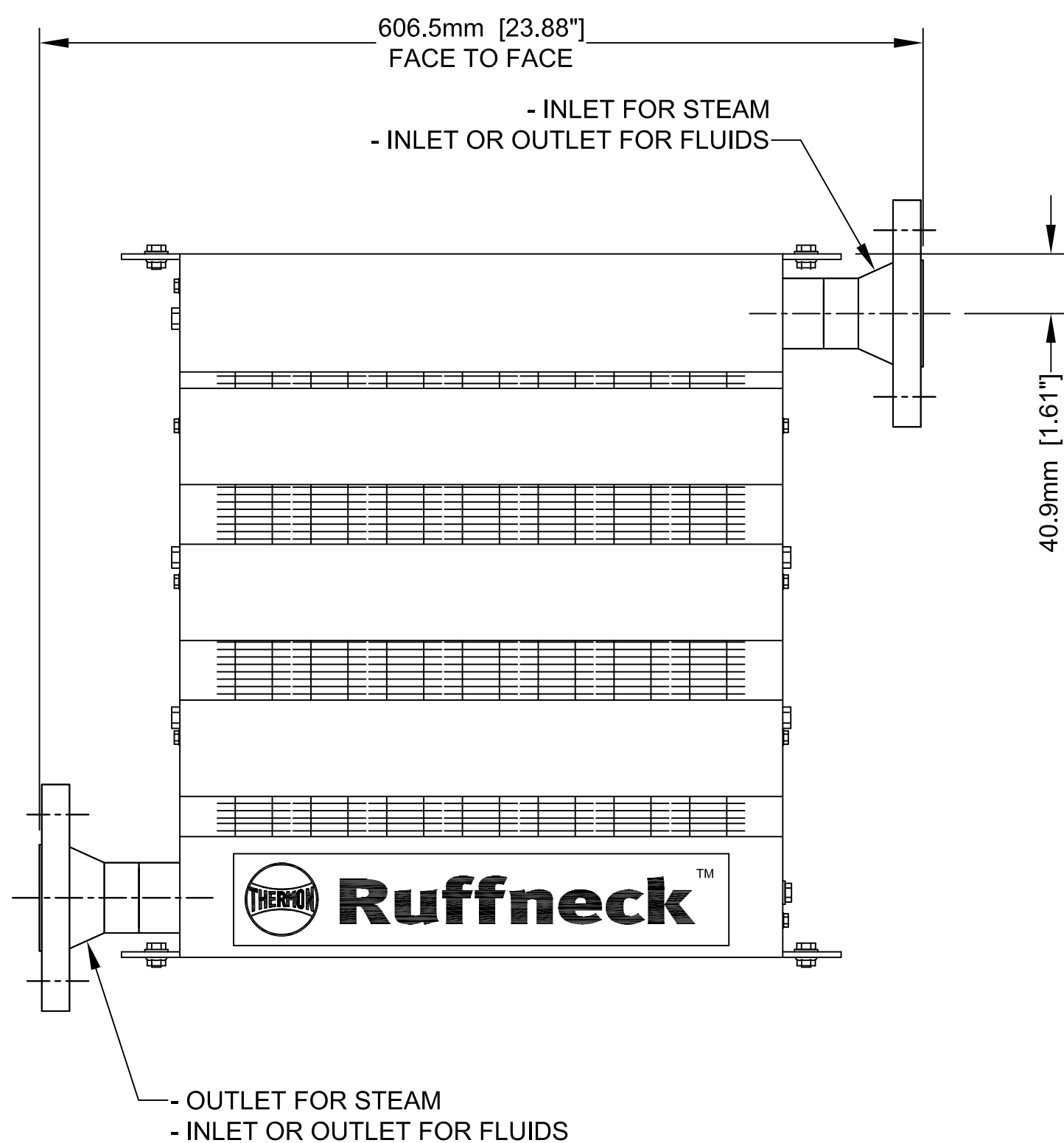
CABINET MATERIAL	
A	EPOXY POWDER COATED CARBON STEEL
B	HERESITE PHENOLIC COATED CARBON STEEL
C	STAINLESS STEEL

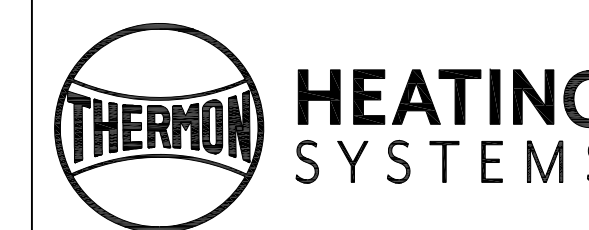
EXCHANGER COATINGS	
1	HEAT RESISTANT ALUMINUM PAINT
2	HERESITE PHENOLIC COATING

NOTES:

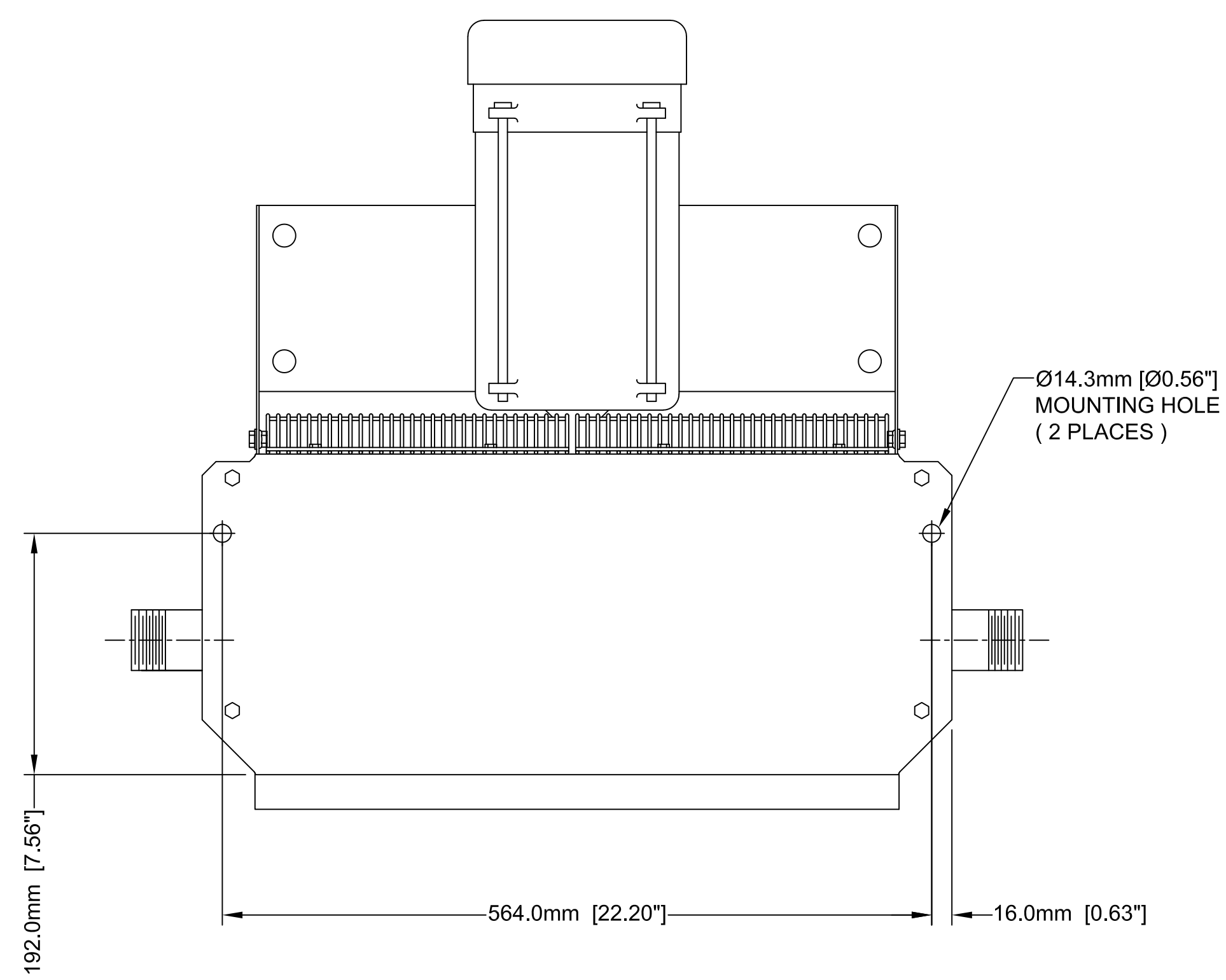
- TOLERANCES ON DIMENSIONS ARE +/-2.0mm [ +/-0.06" ]
- AIR DELIVERY:  
 AH-12A-A- 1150 CFM  
 AH-12A-B- 1160 CFM  
 AH-12A-C1- 1030 CFM  
 (AT 70°F AT SEA LEVEL)
- AIR THROW AT 15PSI STREAM = 40' (12.2m)
- NET WEIGHT:  
 AH-12A-A- 102 lbs.  
 AH-12A-B- 107 lbs.  
 AH-12A-C1- 118 lbs.
- SHIPPING WEIGHT:  
 AH-12A-A- 146 lbs.  
 AH-12A-B- 151 lbs.  
 AH-12A-C1- 164 lbs.
- ADD 12 lbs TO FLANGED UNTS.



DATE	REVISION	BY	CHK
UNLESS OTHERWISE NOTED TOLERANCES ARE TO BE:		±1mm	±1/2° ANGLES
		3.2 /mm	OR 125 /in



DRAWN BY: MTC	TITLE: INSTL DWG, AH-12 HEATER
CHECKED BY:	
SCALE: 1:4	DRAWING NO.: AH12
DATE: 15 OCT 2007	



BASE MODEL	FAN SIZE	TUBE SIZE	TUBE PASSES	CONNECTION TYPE&SIZES	EXCHANGER COATINGS	CABINET OPTIONS PAINT	LOUVRES	MOTOR ENCLOSURE	MOTOR SPECS
AH	16A	A	1	A	1	A	1	1	A

SERIES	
HORIZONTAL	

FAN SIZE	
16"	16A

FINNED TUBING						
TUBING	WALL THICKNESS	ROWS	FINS/INCH	MATERIAL	TW	A
5/8"	0.065"	3	10	AL	TW	A
1"	0.083"	2	9	AL	EX	B
1"	0.135"	2	5	AL	EX	C
TW=TENSION WOUND						
EX=EXTRUDED						
AL=ALUMINUM						

TUBESIDE PASSES	HEATER SIZES AVAILABLE
1-PASS	16"
3-PASS	16"
5-PASS	16"
7-PASS	N/A

CONNECTIONS	
A	1 1/2" NPT MALE SCH. 40
B	1 1/2" 300# RF FLANGE
C	2" NPT MALE SCH. 80
D	2" 300# RF FLANGE

MOTOR ELECTRICAL SPECS			
	VOLTS	PHASE	HERTZ
A	115	1	60
B	208	1	60
C	208	3	60
D	230	1	60
E	230	3	60
F	460	1	60
G	460	3	60
H	575	3	60
I	220	1	50
J	380	3	50
K	440	3	50

MOTOR ENCLOSURE	
1	TOTALLY ENCLOSED
2	X-PROOF, GR C, D, E, F & G

DISCHARGE TYPE	
2-WAY ALUMINUM LOUVRES	

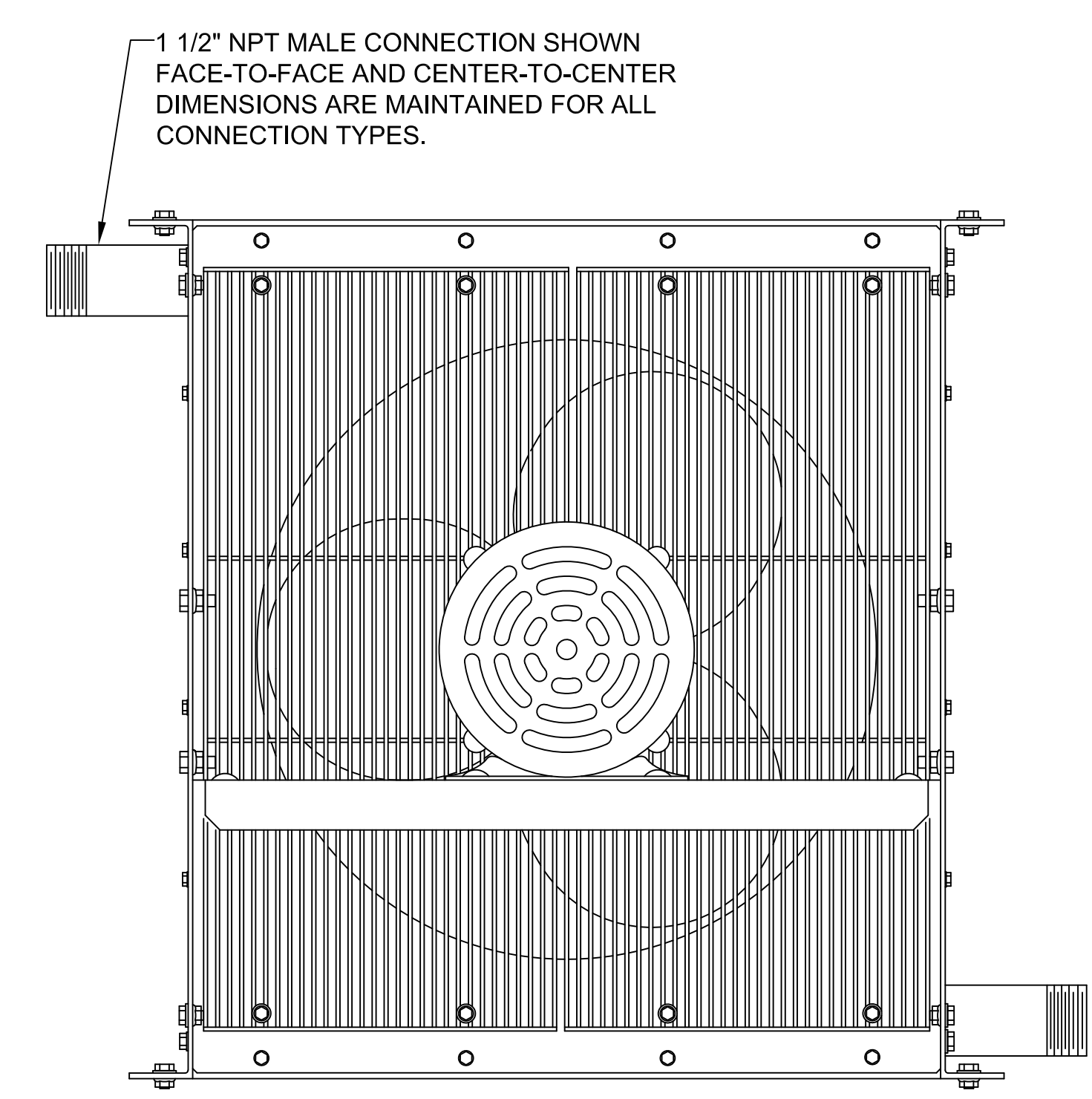
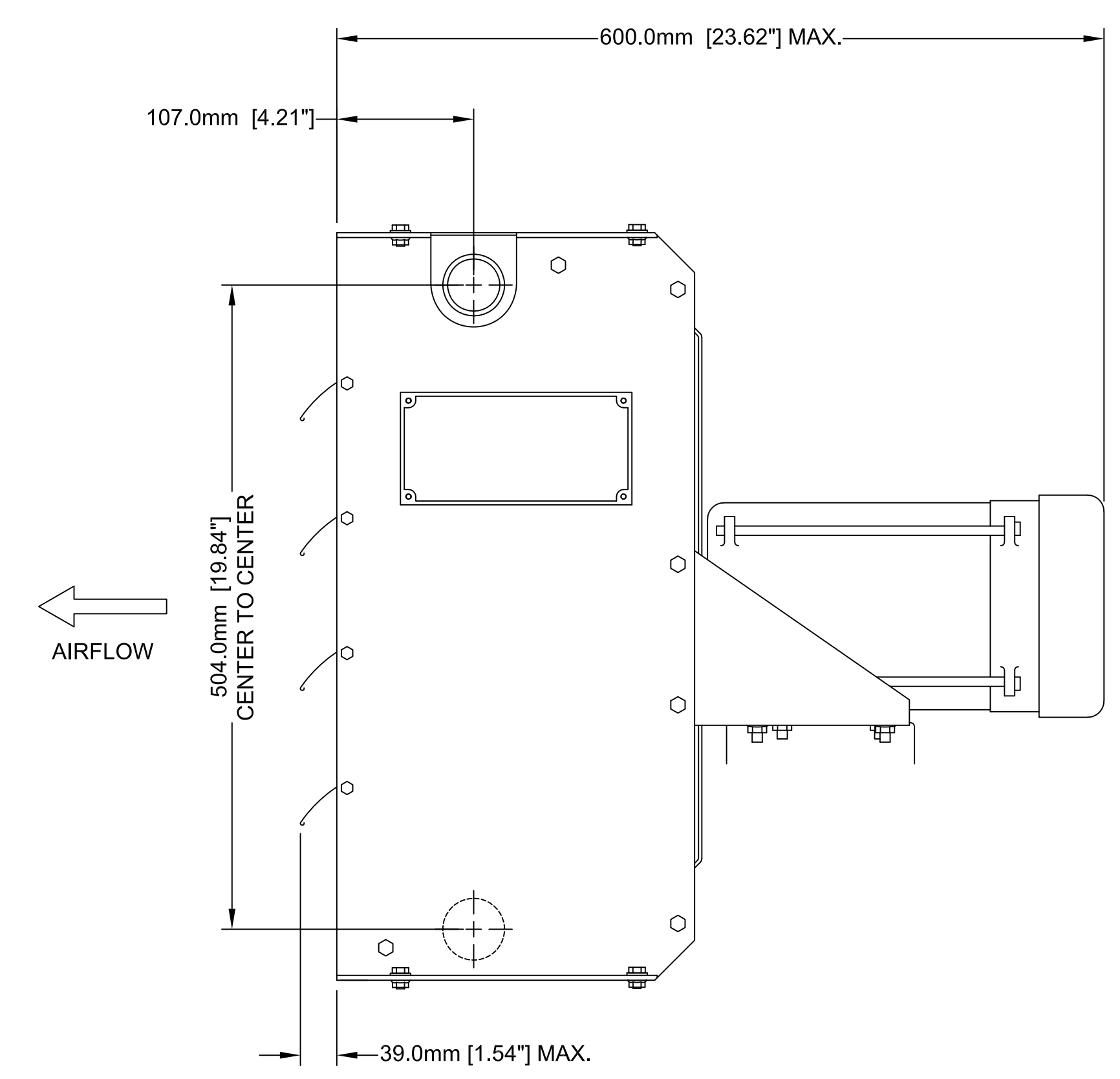
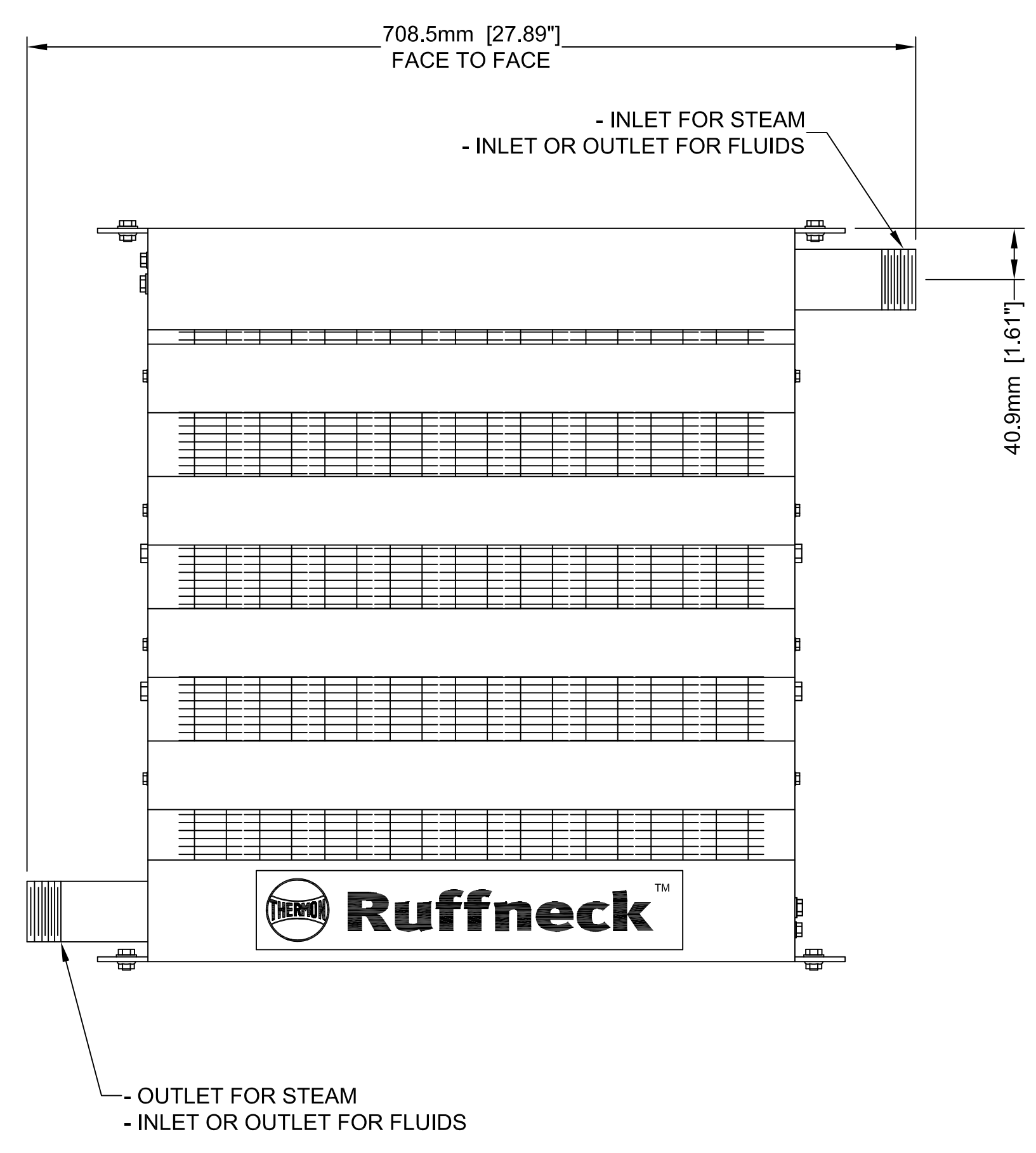
  

CABINET MATERIAL	
A	EPOXY POWDER COATED CARBON STEEL
B	HERESITE PHENOLIC COATED CARBON STEEL
C	STAINLESS STEEL

EXCHANGER COATINGS	
1	HEAT RESISTANT ALUMINUM PAINT
2	HERESITE PHENOLIC COATING

- NOTES:
- TOLERANCES ON DIMENSIONS ARE +/-2.0mm [ +/-0.06" ]
  - AIR DELIVERY:
    - AH-16A-A- 1840 CFM
    - AH-16A-B- 1780 CFM
    - AH-16A-C1- 1840 CFM (AT 70°F AT SEA LEVEL)
  - AIR THROW AT 15PSI STREAM = 40' (12.2m)
  - NET WEIGHT:
    - AH-16A-A- 127 lbs.
    - AH-16A-B- 138 lbs.
    - AH-16A-C1- 153 lbs.
  - SHIPPING WEIGHT:
    - AH-16A-A- 174 lbs.
    - AH-16A-B- 177 lbs.
    - AH-16A-C1- 199 lbs.
  - ADD 12 lbs TO FLANGED UNTS.

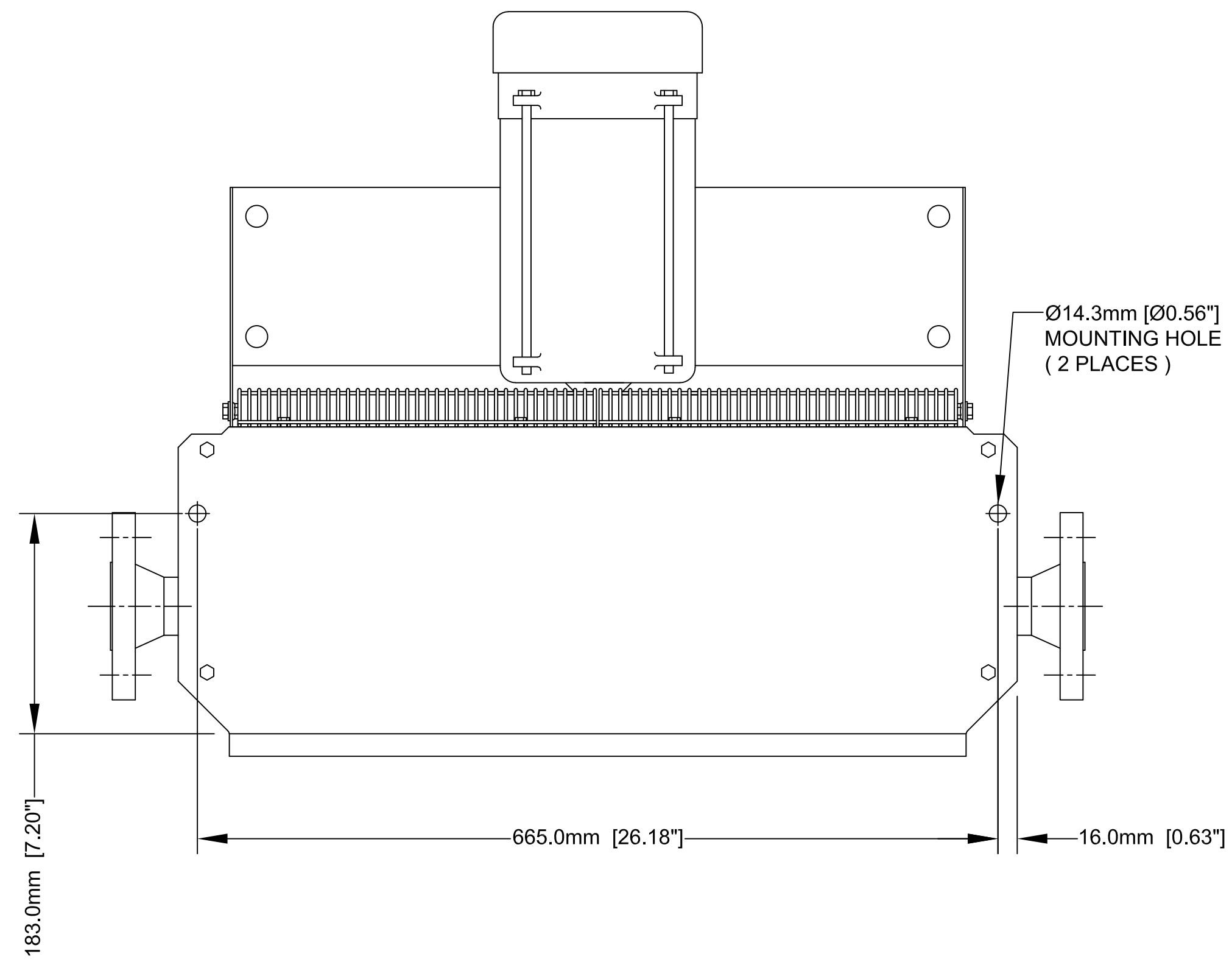


DATE	REVISION	BY	CHK

UNLESS OTHERWISE NOTED TOLERANCES ARE TO BE: ±1mm ±1/2° ANGLES 3.2/6mm OR 125/4in



DRAWN BY: MTC	TITLE: INSTL DWG, AH-16 HEATER
CHECKED BY:	
SCALE: 1:4	DRAWING NO.: AH16
DATE: 05 OCT 2007	



BASE MODEL	FAN SIZE	TUBE SIZE	TUBE PASSES	CONNECTION TYPE&SIZES	EXCHANGER COATINGS	CABINET OPTIONS PAINT	LOUVRES	ENCLOSURE	MOTOR SPECS
AH	20A	A	1	A	1	A	1	1	A

SERIES  
HORIZONTAL

FAN SIZE  
20" 20A

FINNED TUBING					
TUBING	WALL THICKNESS	ROWS	FINS/INCH	MATERIAL	TYPE
5/8"	0.065"	3	10	AL	TW A
1"	0.083"	2	9	AL	EX B
1"	0.135"	2	5	AL	EX C

TW=TENSION WOUND  
EX=EXTRUDED  
AL=ALUMINUM

TUBESIDE PASSES	HEATER SIZES AVAILABLE
1-PASS	20"
3-PASS	20"
5-PASS	20"
7-PASS	N/A

CONNECTIONS	
A	1 1/2" NPT MALE SCH. 40
B	1 1/2" 300# RF FLANGE
C	2" NPT MALE SCH. 80
D	2" 300# RF FLANGE

MOTOR ELECTRICAL SPECS			
	VOLTS	PHASE	HERTZ
A	115	1	60
B	208	1	60
C	208	3	60
D	230	1	60
E	230	3	60
F	460	1	60
G	460	3	60
H	575	3	60
I	220	1	50
J	380	3	50
K	440	3	50

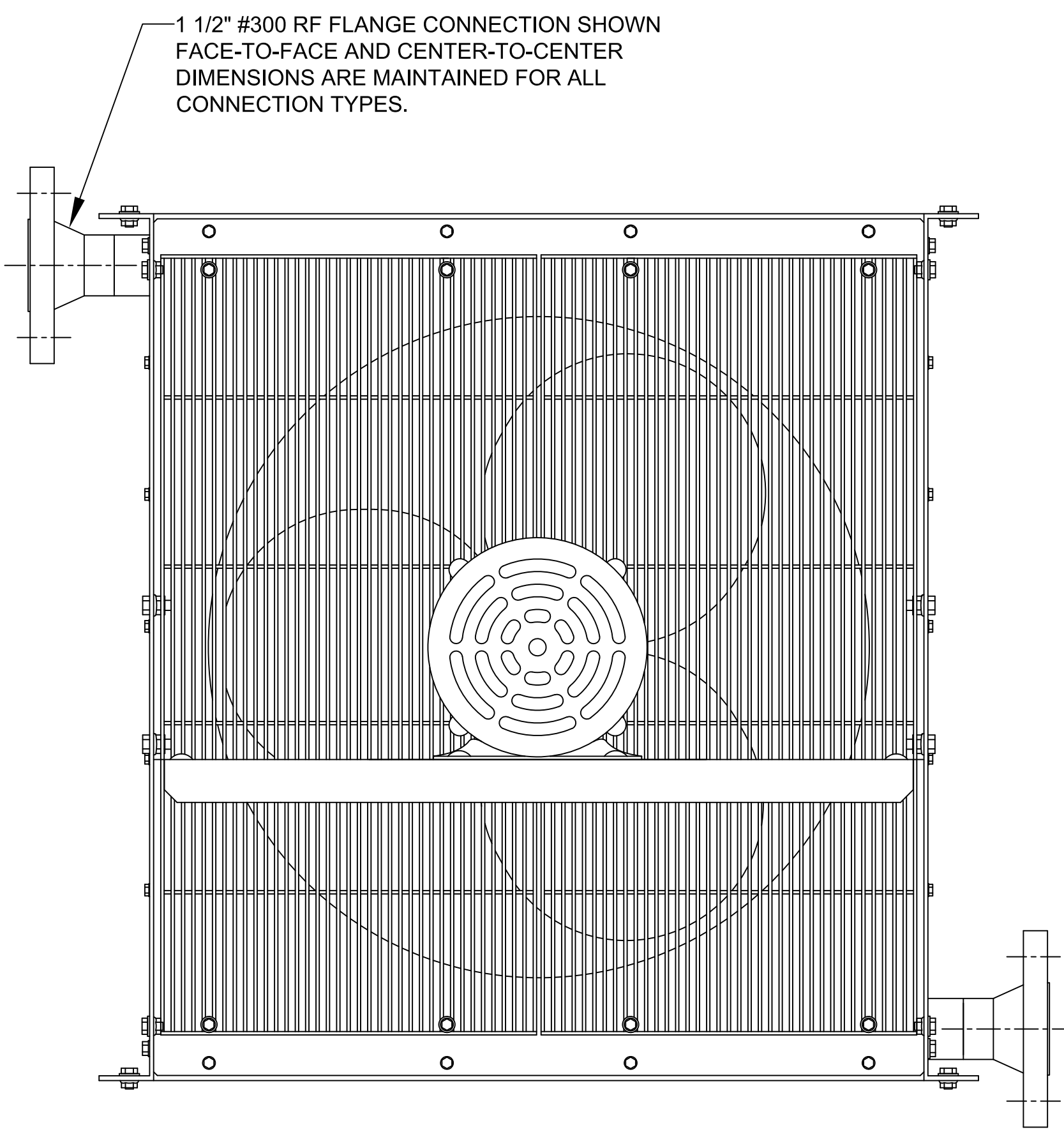
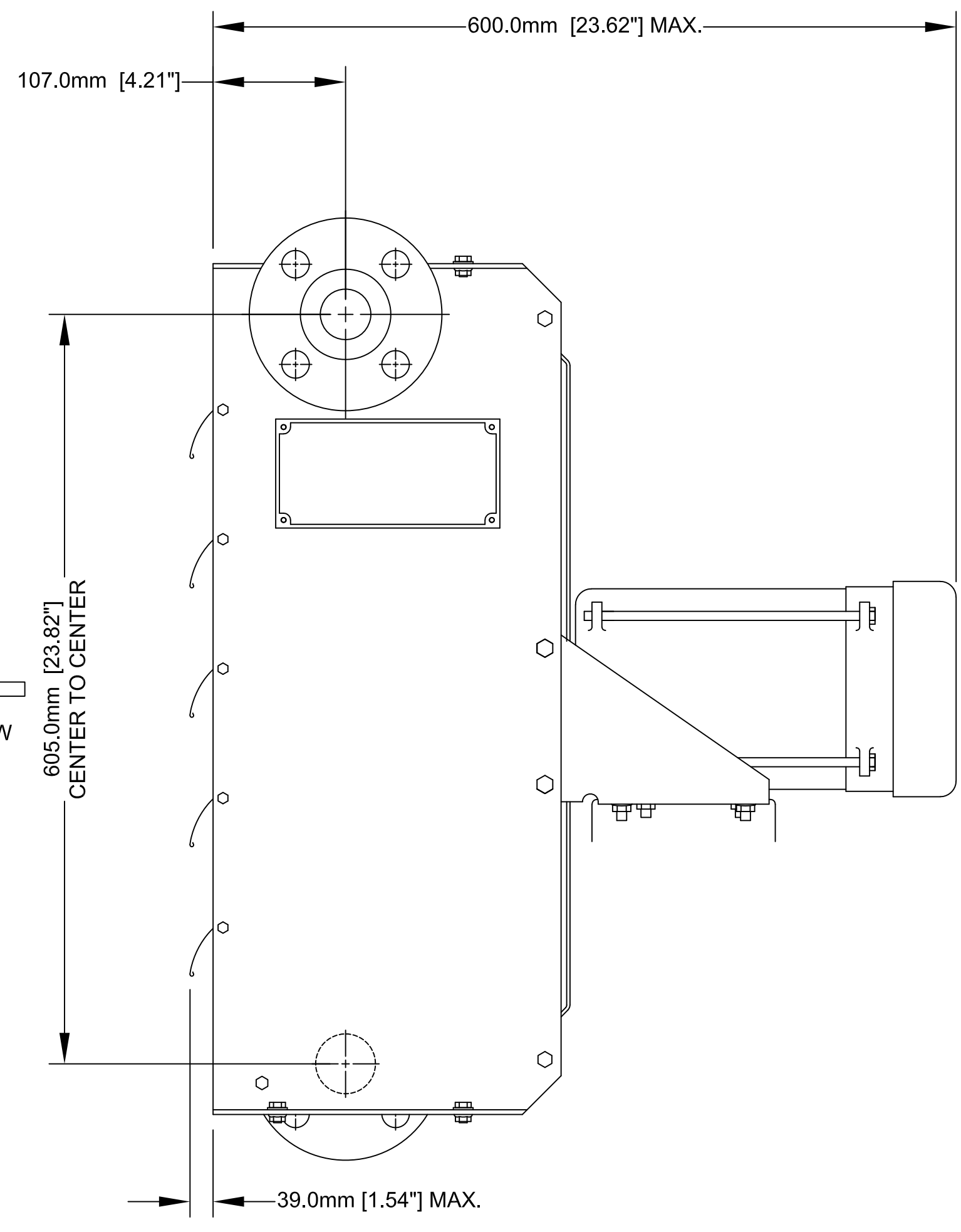
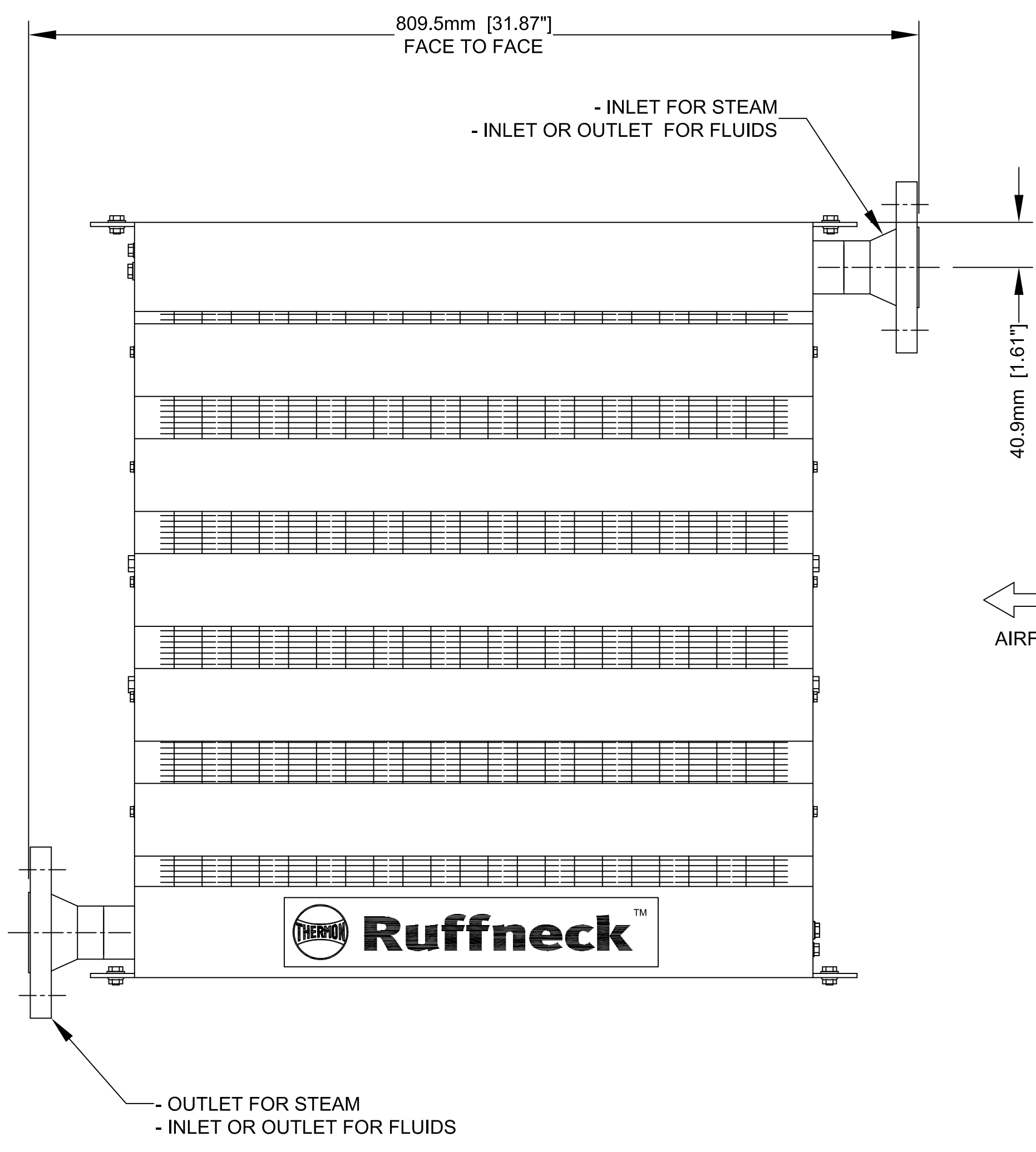
MOTOR ENCLOSURE	
1	TOTALLY ENCLOSED
2	X-PROOF, GR C, D, E, F & G

DISCHARGE TYPE	
1	2-WAY ALUMINUM LOUVRES
2	NOZZLE
3	4-WAY ALUMINUM LOUVRES

CABINET MATERIAL	
A	EPOXY POWDER COATED CARBON STEEL
B	HERESITE PHENOLIC COATED CARBON STEEL
C	STAINLESS STEEL

EXCHANGER COATINGS	
1	HEAT RESISTANT ALUMINUM PAINT
2	HERESITE PHENOLIC COATING

- NOTES:
- TOLERANCES ON DIMENSIONS ARE +/-2.0mm [ +/-0.06" ]
  - AIR DELIVERY:  
AH-20A-A- 2930 CFM  
AH-20A-B- 2700 CFM  
AH-20A-C1- 3000 CFM  
(AT 70°F AT SEA LEVEL)
  - AIR THROW AT 15PSI STREAM = 40' (12.2m)
  - NET WEIGHT:  
AH-20A-A- 180 lbs.  
AH-20A-B- 190 lbs.  
AH-20A-C1- 215 lbs.
  - SHIPPING WEIGHT:  
AH-20A-A- 224 lbs.  
AH-20A-B- 234 lbs.  
AH-20A-C1- 259 lbs.
  - ADD 12 lbs TO FLANGED UNTS.



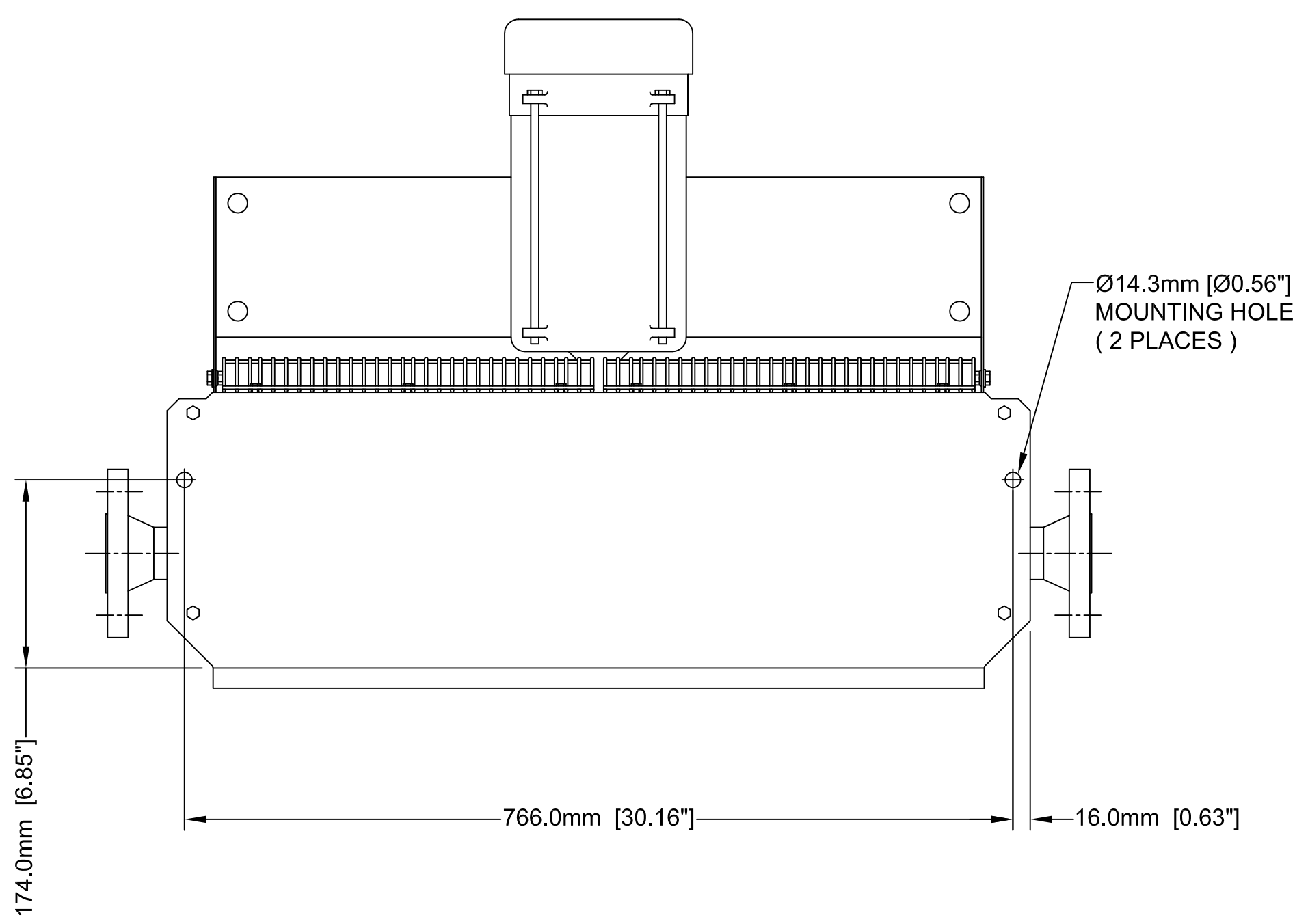
DATE	REVISION	BY	CHK

UNLESS OTHERWISE NOTED TOLERANCES ARE TO BE: ±1mm ±1/2° ANGLES

3.2/µm OR 125/µin



DRAWN BY: MTC	TITLE: INSTL DWG, AH-20 HEATER
CHECKED BY:	
SCALE: 1:4	DRAWING NO.: AH20
DATE: 05 OCT 2007	



BASE MODEL	FAN SIZE	TUBE SIZE	TUBE PASSES	CONNECTION TYPE&SIZES	EXCHANGER COATINGS	CABINET OPTIONS PAINT	LOUVRES	ENCLOSURE	MOTOR SPECS
AH	24A	A	1	A	1	A	1	1	A

SERIES	
HORIZONTAL	

FAN SIZE	
24"	24A

FINNED TUBING					
TUBING	WALL THICKNESS	ROWS	FINS/INCH	MATERIAL	TYPE
5/8"	0.065"	3	10	AL	TW A
1"	0.083"	2	9	AL	EX B
1"	0.135"	2	5	AL	EX C

TW=TENSION WOUND  
EX=EXTRUDED  
AL=ALUMINUM

TUBESIDE PASSES	HEATER SIZES AVAILABLE
1-PASS	24"
3-PASS	24"
5-PASS	24"
7-PASS	24"

CONNECTIONS	
A	1 1/2" NPT MALE SCH. 40
B	1 1/2" 300# RF FLANGE
C	2" NPT MALE SCH. 80
D	2" 300# RF FLANGE

MOTOR ELECTRICAL SPECS			
	VOLTS	PHASE	HERTZ
A	115	1	60
B	208	1	60
C	208	3	60
D	230	1	60
E	230	3	60
F	460	1	60
G	460	3	60
H	575	3	60
I	220	1	50
J	380	3	50
K	440	3	50

MOTOR ENCLOSURE	
1	TOTALLY ENCLOSED
2	X-PROOF, GR C, D, E, F & G

DISCHARGE TYPE	
1	2-WAY ALUMINUM LOUVRES
2	NOZZLE
3	4-WAY ALUMINUM LOUVRES

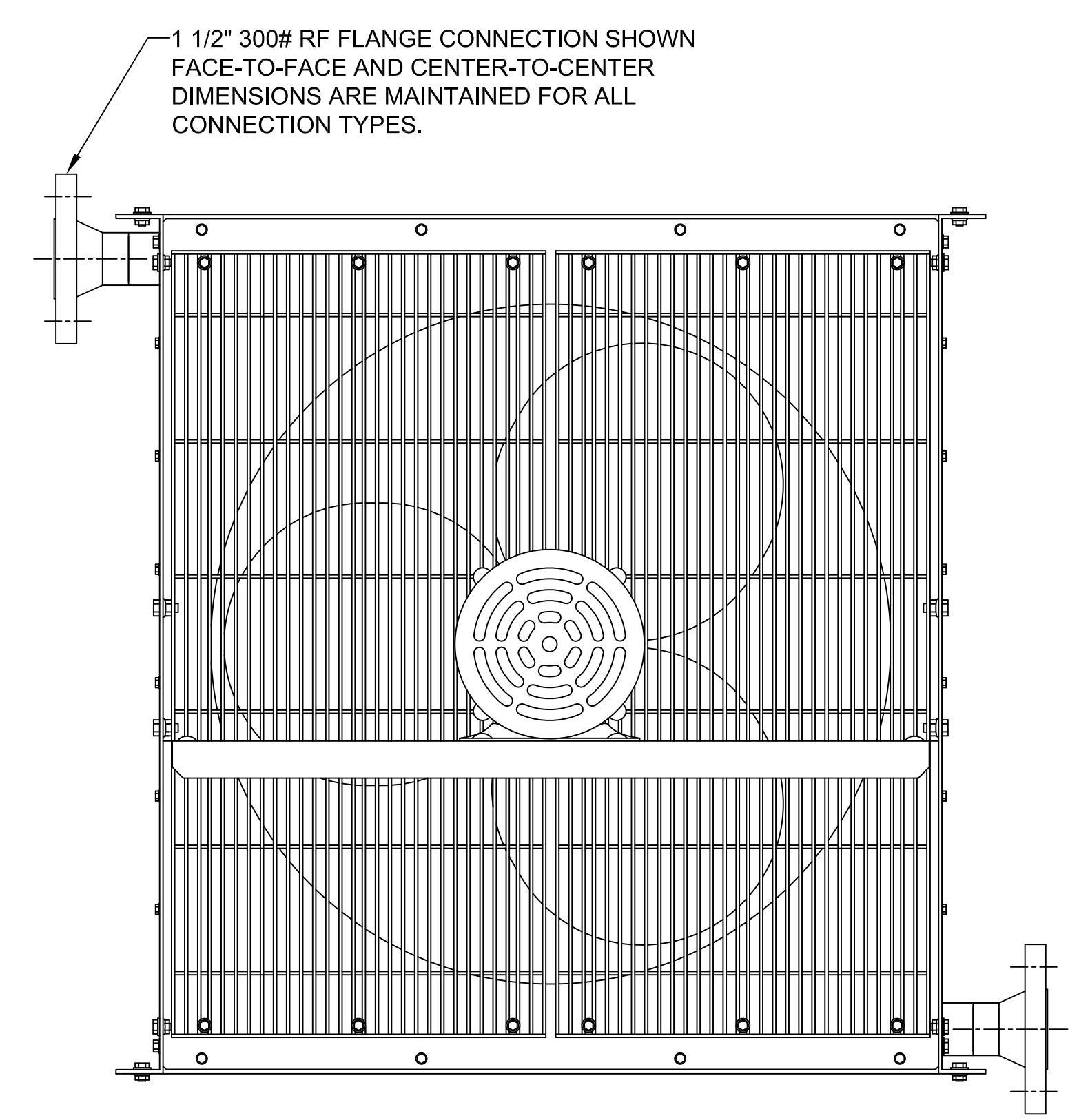
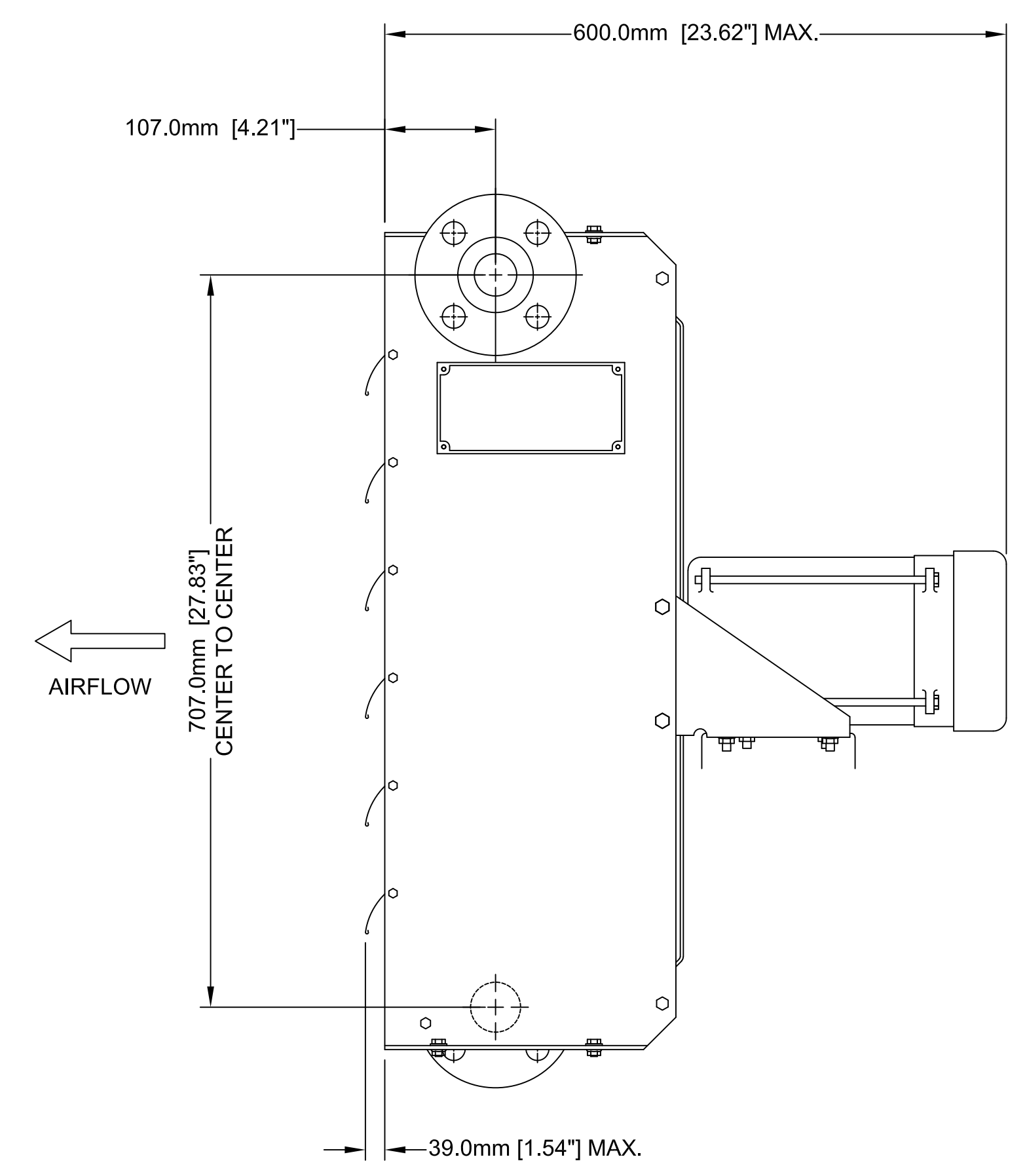
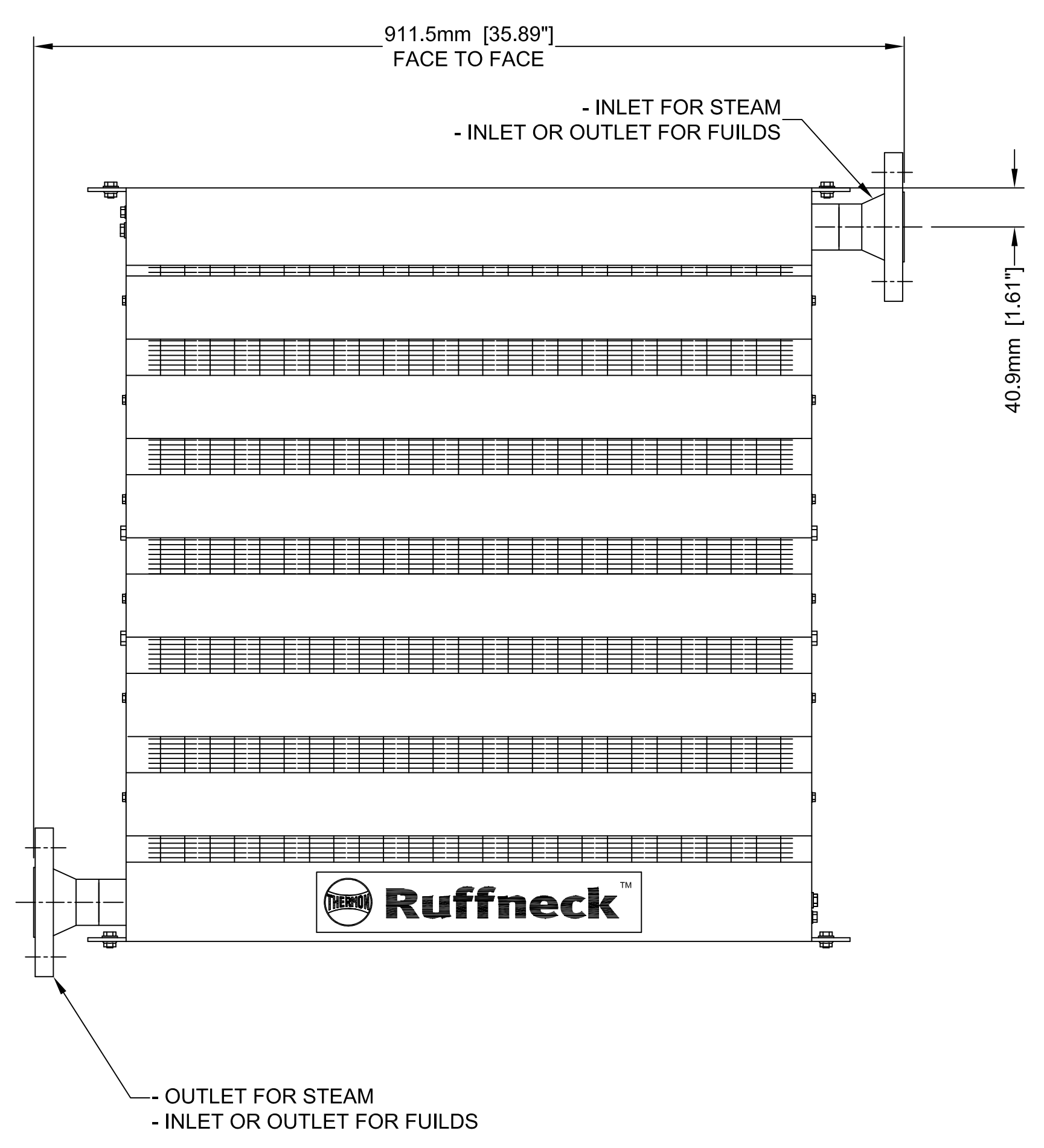
  

CABINET MATERIAL	
A	EPOXY POWDER COATED CARBON STEEL
B	HERESITE PHENOLIC COATED CARBON STEEL
C	STAINLESS STEEL

EXCHANGER COATINGS	
1	HEAT RESISTANT ALUMINUM PAINT
2	HERESITE PHENOLIC COATING

- NOTES:
- TOLERANCES ON DIMENSIONS ARE +/-2.0mm [ +/-0.06" ]
  - AIR DELIVERY:  
AH-24A-A- 3890 CFM  
AH-24A-B- 3640 CFM  
AH-24A-C1- 3490 CFM  
(AT 70°F AT SEA LEVEL)
  - AIR THROW AT 15PSI STREAM = 40' (12.2m)
  - NET WEIGHT:  
AH-24A-A- 209 lbs.  
AH-24A-B- 232 lbs.  
AH-24A-C1- 278 lbs.
  - SHIPPING WEIGHT:  
AH-24A-A- 269 lbs.  
AH-24A-B- 292 lbs.  
AH-24A-C1- 338 lbs.
  - ADD 12 lbs TO FLANGED UNTS.



DATE	REVISION	BY	CHK

UNLESS OTHERWISE NOTED TOLERANCES ARE TO BE: ±1mm ±1/2° ANGLES  
3.2/100mm OR 125/1000in



DRAWN BY: MTC	TITLE: INSTL DWG, AH-24 HEATER
CHECKED BY:	
SCALE: 1:5	DRAWING NO.: AH24A
DATE: 17 OCT 2007	

BASE MODEL	FAN SIZE	TUBE SIZE	TUBE PASSES	CONNECTION TYPE&SIZES	EXCHANGER COATINGS	CABINET OPTIONS PAINT	LOUVRES	ENCLOSURE	MOTOR SPECS
AH	24B	A	1	A	1	A	1	1	A

SERIES
HORIZONTAL

FAN SIZE
24" 24A

FINNED TUBING						
TUBING	WALL THICKNESS	ROWS	FINS/INCH	MATERIAL	TYPE	
5/8"	0.065"	3	10	AL	TW	A
1"	0.083"	2	9	AL	EX	B
1"	0.135"	2	5	AL	EX	C

TW=TENSION WOUND  
EX=EXTRUDED  
AL=ALUMINUM

TUBESIDE PASSES	HEATER SIZES AVAILABLE
1-PASS	24"
3-PASS	24"
5-PASS	24"
7-PASS	24"

CONNECTIONS	
A	1 1/2" NPT MALE SCH. 40
B	1 1/2" 300# RF FLANGE
C	2" NPT MALE SCH. 80
D	2" 300# RF FLANGE

MOTOR ELECTRICAL SPECS			
	VOLTS	PHASE	HERTZ
A	115	1	60
B	208	1	60
C	208	3	60
D	230	1	60
E	230	3	60
F	460	1	60
G	460	3	60
H	575	3	60
I	220	1	50
J	380	3	50
K	440	3	50

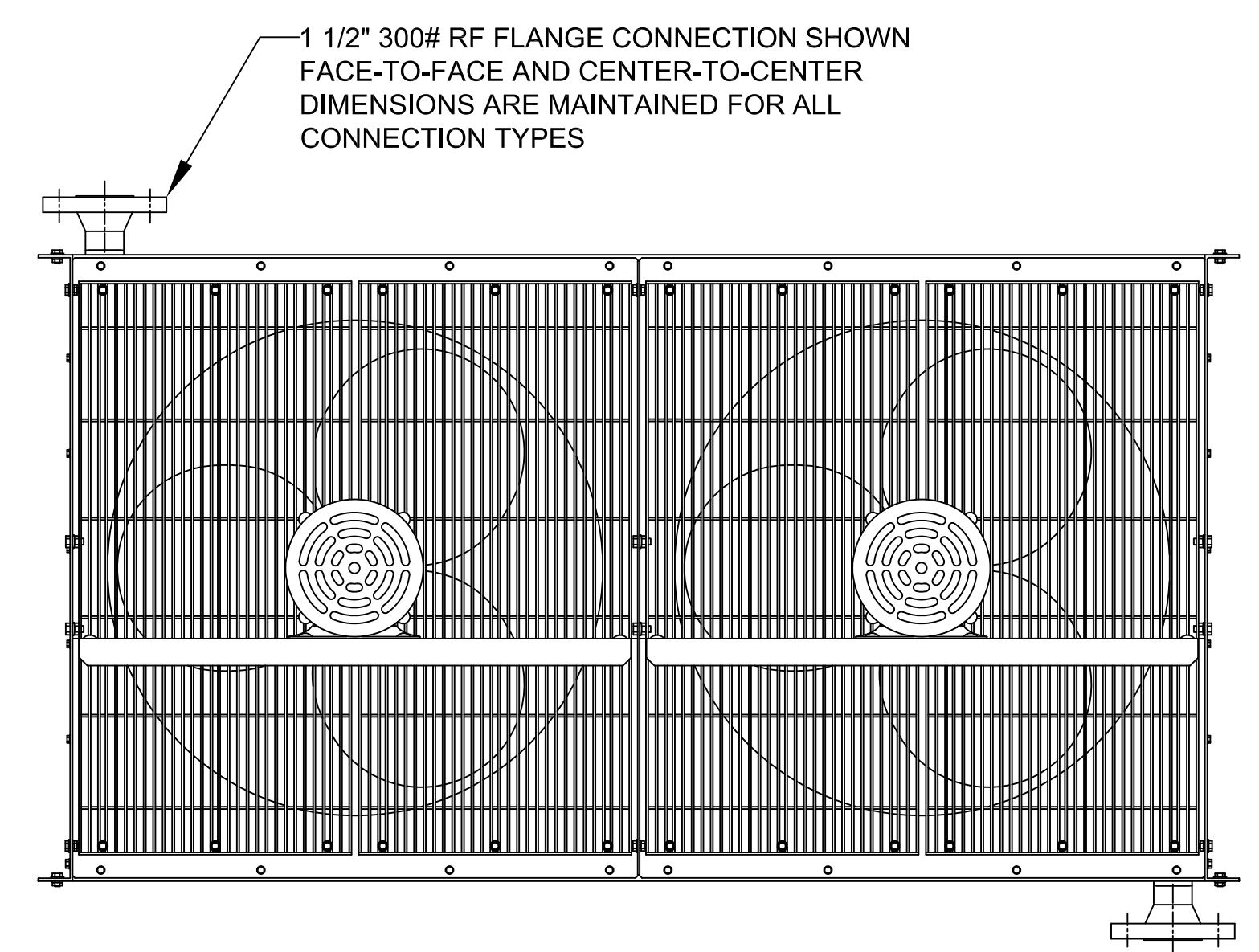
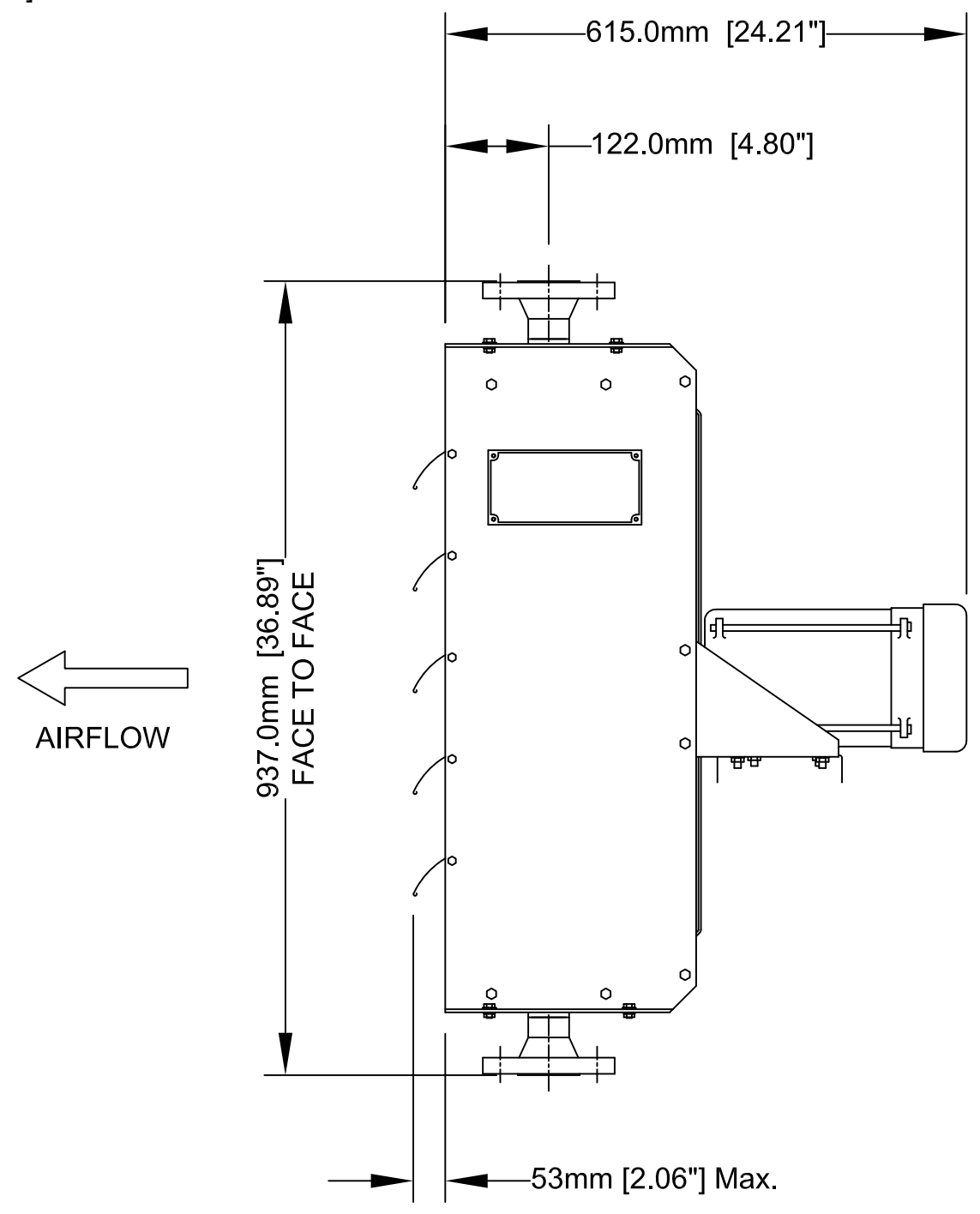
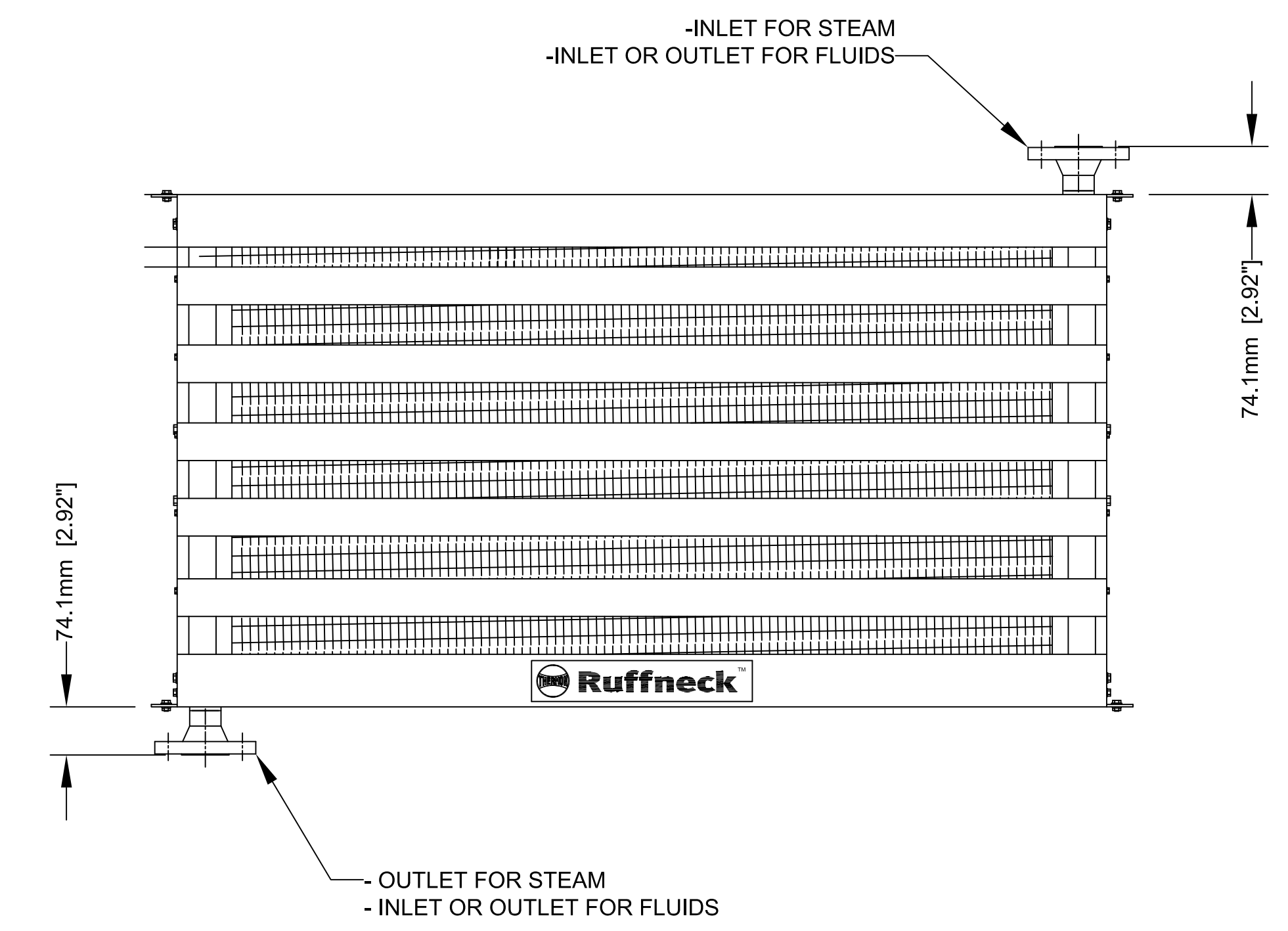
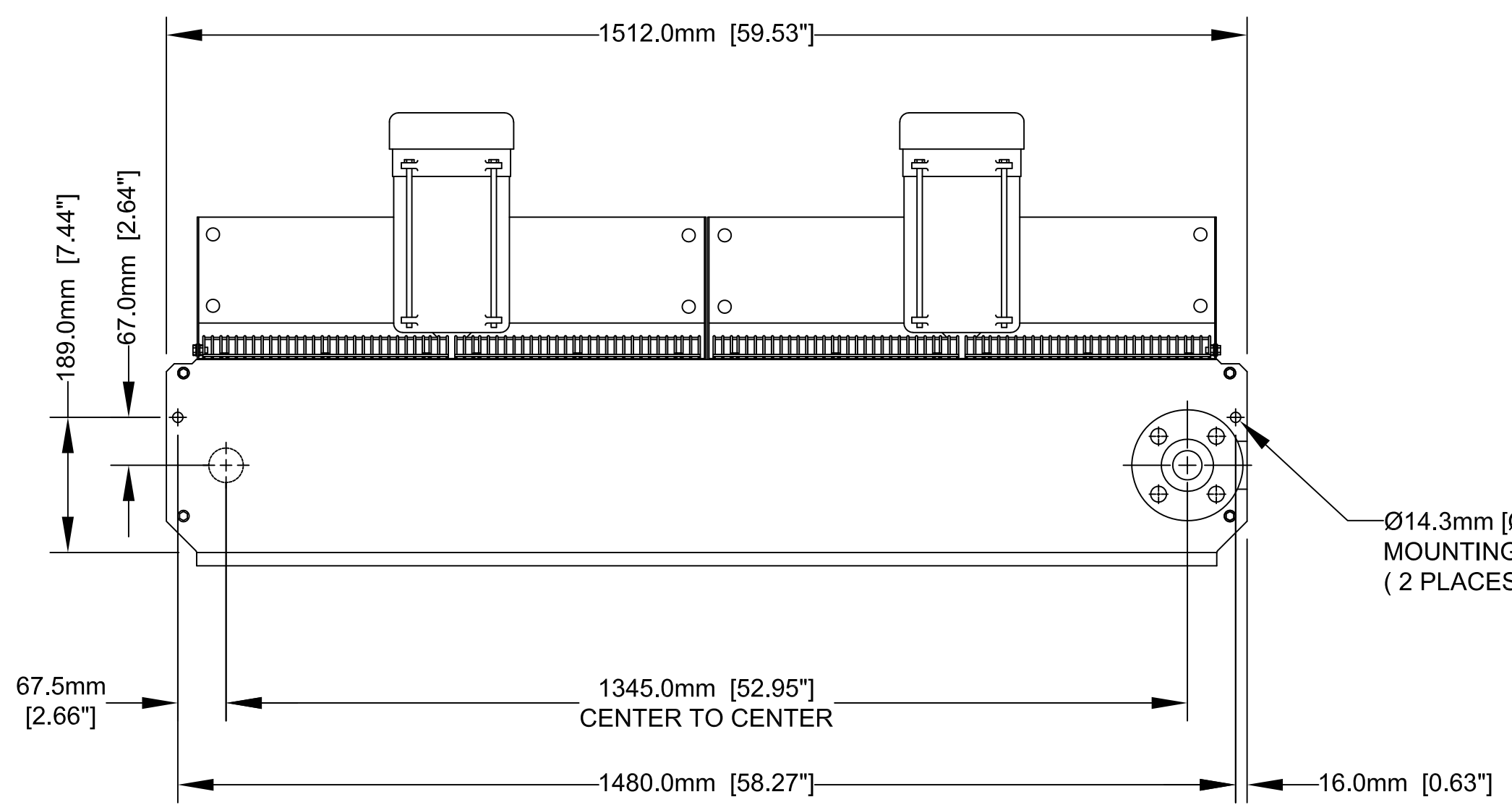
MOTOR ENCLOSURE	
1	TOTALLY ENCLOSED
2	X-PROOF, GR C, D, E, F & G

DISCHARGE TYPE	
1	2-WAY ALUMINUM LOUVRES
2	NOZZLE
3	4-WAY ALUMINUM LOUVRES

CABINET MATERIAL	
A	EPOXY POWDER COATED CARBON STEEL
B	HERESITE PHENOLIC COATED CARBON STEEL
C	STAINLESS STEEL

EXCHANGER COATINGS	
1	HEAT RESISTANT ALUMINUM PAINT
2	HERESITE PHENOLIC COATING

- NOTES:
- TOLERANCES ON DIMENSIONS ARE +/-2.0mm [ +/-0.06" ]
  - AIR DELIVERY:  
AH-24B-A- 7650 CFM  
AH-24B-B- 7420 CFM  
AH-24B-C1- 6690 CFM  
(AT 70°F AT SEA LEVEL)
  - AIR THROW AT 15PSI STREAM = 40' (12.2m)
  - NET WEIGHT:  
AH-24B-A- 343 lbs.  
AH-24B-B- 406 lbs.  
AH-24B-C1- 470 lbs.
  - SHIPPING WEIGHT:  
AH-24B-A- 443 lbs.  
AH-24B-B- 506 lbs.  
AH-24B-C1- 570 lbs.
  - ADD 12 lbs TO FLANGED UNITS.



DATE	REVISION	BY	CHK
------	----------	----	-----



DRAWN BY: MTC	TITLE: INSTL DWG, AH-24B HEATER
CHECKED BY:	
SCALE: 1:8	DRAWING NO.:
DATE: 18 OCT 2007	