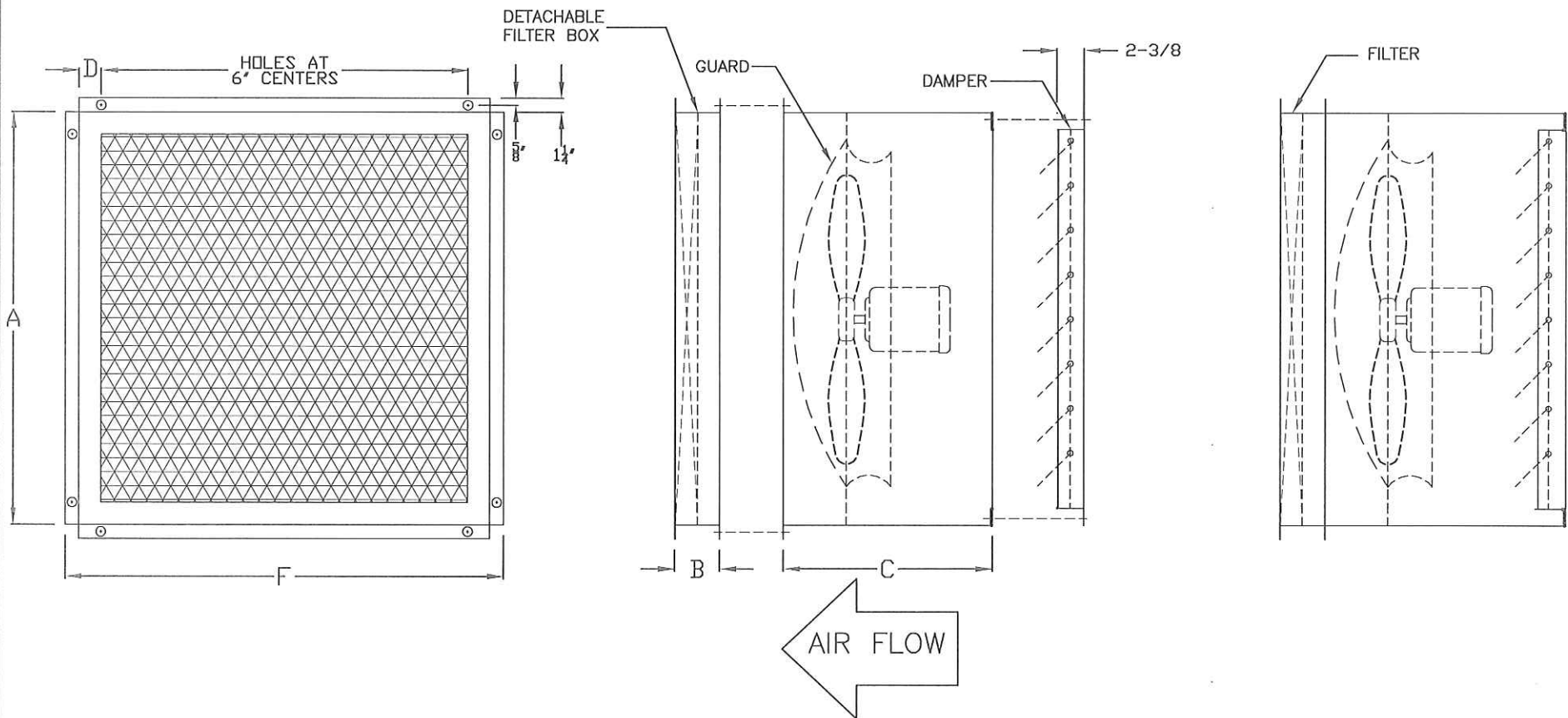



# MODEL "CAF" BLOW-THROUGH



| Model # | A      | B | C  | D | F      | FAN SIZE | FILTER SIZE                       |
|---------|--------|---|----|---|--------|----------|-----------------------------------|
| NCF12-A | 16-1/4 | 4 | 20 | 2 | 18-3/4 | 12       | 16x16x2 (QTY.1)                   |
| NCF16-A | 20-1/4 | 4 | 20 | 3 | 22-3/4 | 16       | 20x20x2 (QTY.1)                   |
| NCF18-C | 24-1/4 | 4 | 20 | 3 | 26-3/4 | 18       | 24x24x2 (QTY.1)                   |
| NCF20-E | 24-1/4 | 4 | 22 | 3 | 26-3/4 | 20       | 24x24x2 (QTY.1)                   |
| NCF24-E | 30-1/4 | 4 | 25 | 3 | 32-3/4 | 24       | 20x20x2 (2), 20x10 (2), 10x10 (1) |
| NCF30-C | 36-1/4 | 4 | 28 | 3 | 38-3/4 | 30       | 18x18x2 (QTY.4)                   |

|  |          |         |                        |              |  |
|--|----------|---------|------------------------|--------------|--|
| NCF CABINET FILTER FAN BLOW-THROUGH<br><br><b>NATIONAL FAN COMPANY</b><br> <b>NATIONAL FAN CO.</b> | AMC NO.  | Project | Drawn by<br>V Hartmann | Certified by | File<br>CAF Blow Through                     |
|  | Cust NO. | Notes   | Page Number            | Revision     | Scale<br>Not to scale<br><br>Date<br>8/15/17 |