

# ENVIROFAN

## Gold Line – 160C-7 WH

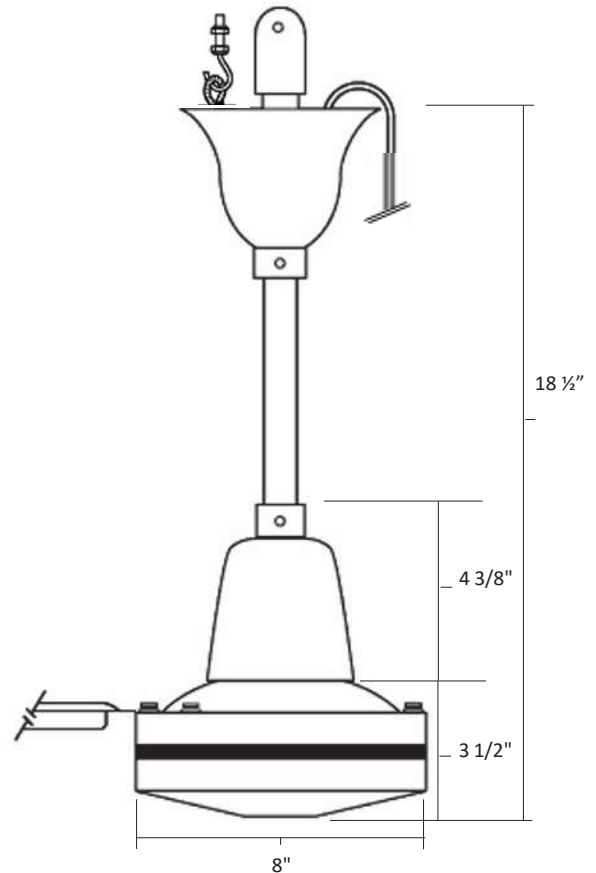
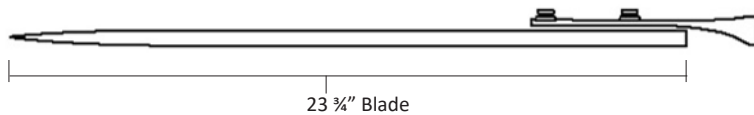
### Specifications:

**Fan Diameter:** 56"  
**Color:** White  
**Weight:** 23 lbs.  
**Direction:** Upblowing & Downblowing  
**Coverage Area:** 2100 sq.ft.  
**RPM:** 352  
**Amps:** .688  
**Watts:** 82.55  
**Volts:** 120V, 60 Hz  
**Wiring:** Wire Leads (extend about 16" from top)

### EnergyGuide

**Estimated Yearly Energy Cost:** \$23.14  
**Cubic Feet per Minute (CFM):** 7212 \*\*  
**CFM/Watt:** 87.36

Based on 12 cents per kWh and 6.4 hours use per day  
Your cost depends on rates and use  
All estimates based on typical use  
The higher the airflow, the more air the fan will move



### Features:

Thermo Protected Motor  
Secondary Support Cable - Extends about 18" from top  
Cast Iron Motor Housing  
Aluminum Blades  
UL 507 Listed  
10" Downrod (1" OD)  
5 Year Warranty  
2 Mounting Options: J-Bolt or EZ Mount Bracket to UL approved fan box



Note: Per UL 507 Regulations, fan blades must be 10 feet or more above floor  
\*If fan blades are less than 10 feet above floor, a ceiling fan guard is required\*  
\*\*CFM Measured from fan hung from 10' high ceiling with standard downrod\*\*  
**Technical specifications subject to change without notice**

## Northwest Envirofan

A Division of Northwest Environmental Systems, Inc.

Envirofan Ceiling Fans • Protecto-Guard Ceiling Fan Guards • Fan Controls

info@envirofan.com  
(920) 235-7808  
www.envirofan.com