



clearwater LIGHTS™



Installation Manual

BMW F800GS (2013+)

Krista/Erica/Sevina LED Light Kit

Dimmable

Patent Pending




Made in USA

Step 1: Parts List and Bike Preparation


Please be sure to read our instructions thoroughly before attempting installation.

- Check Parts list supplied with your kit to be sure all parts are handy. If something is missing, please call us at (916) 852-7029.


E-K 8 – F800GS 2013+
2 Kristal/Erica/Sevina Lights



2 Mod Bracket

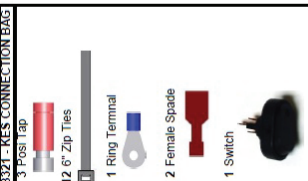


B322 - KES UNIVERSAL HARNESS BAG
1 Pot Assembly




1 M6 x 10 BH
1 M6 Nylock Nut
1 M5 x 30 SH
1 L Bracket
1 Spacer #7

B321 - KES CONNECTION BAGS




3 Posi Tap
12 6" Zip Ties
1 Ring Terminal
2 Female Spade
1 Switch

B107 - HARDWARE BAG



2 M10 x 16 BH
2 M10 washers
2 M10 Nylock Nut
4 M8 x 12 BH
4 M8 Washer
4 M6 x 14 SH
4 M6 Washer
4 M6 Nylock Nut
2 M5 x 30 SH
4 M5 x 20 SH
6 M5 Washer
4 4mm M6 Spacer
2 Spacer #18

1 2013+ Connecting Bracket
1 2013+ Left piece
1 2013+ Right piece



Last updated: 2/1/17

Clearwater lights include a simple and high quality means of connecting to the motorcycle's electrical system. "Posi" devices made by Posi-Products are used to securely and safely make electrical connections on the bike. You can view instructions on the proper installation of the Posi-Products on the manuals page of our website or on Posi-Product's web site at <http://www.posi-lock.com>. They simply screw together and mate the wires.

Step 1: Parts List & Bike Preparation

Bike Preparation:

- First, park the motorcycle on hard pavement or concrete to insure the bike will be stable during the installation. If you can mount the bike on a stand with tie-down straps, this will help secure the motorcycle.
- Follow the manufacturers guidelines for disconnecting the battery. This is important to prevent damage to the electrical system.

Krista/Erica/Sevina Technical:

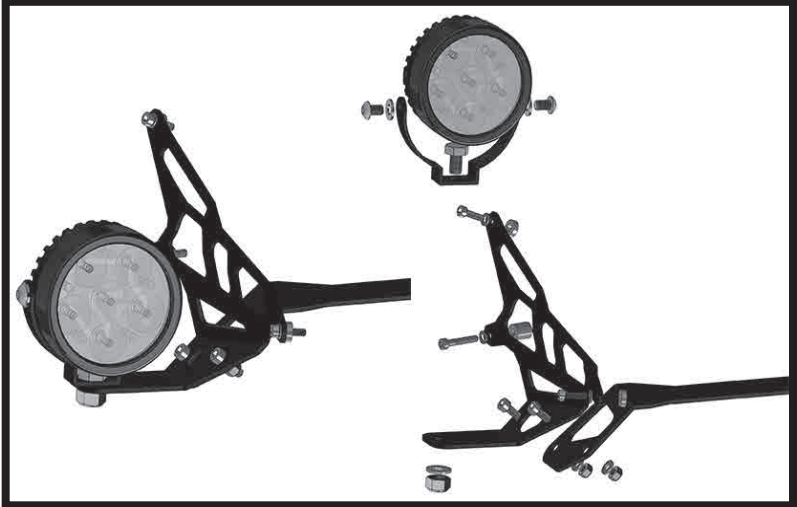
- Krista, Erica, and Sevina are very bright LED auxiliary lights. Do not use these with oncoming traffic unless the dimmer is turned down all the way. Krista, Erica, and Sevina have been designed as off road only light's due to their light output and beam pattern. The wide circular pattern is very useful in mountain roads on a motorcycle as it keeps light on the road and in the tree canopy. As the bike leans, light is still focused on the road. Be certain to use the lights in a manner that does not blind oncoming traffic.
- Krista, Erica, and Sevina LED lights use digital drivers to produce very efficient light. By using a proprietary digital volume control, we can "dim" the lights via a remote mount volume control. This rotary knob sends a digital signal to our microprocessor that changes the pulses of electricity to the LED's. As we increase the time that the lights are "off" the human eye perceives this as dimming. We switch our lights on and off at a rate of 250 times per second, every second. Increased efficiency occurs with the dimming as well.
- Krista, Erica, and Sevina can also be used in a "low" beam mode and a "high" beam mode. The factory handlebar high beam switch is used to select the two different modes. Krista, Erica, and Sevina are easy to install and have many, many uses. Krista is also currently serving overseas as an emergency operating room light on a remote island hospital.



Step 2: Mounting The Lights

Mounting the Lights (Beak Mount):

- Pre-assemble the Erica/Krista/Sevina lights to their separate bracket using supplied hardware. Be sure to follow the exploded diagrams below to ensure the assembly is correct. Snug the bolts for later alignment of the lights.



Step 3: Mounting The Volume Control Knob

Mounting The Volume Control Knob: (Bar Mount)

- Mount the Volume Control Knob to handlebar by using supplied bracket, bolt and spacer. (Note: bike in picture has additional aftermarket switch installed).
- Route wires from lights and volume control knob bracket to area under left side cover. Connections can be made here and be kept weatherproof.



- Hint for High Vibration installations: To keep the Volume Control Knob from rotating itself under high vibration, put a dab of silicone adhesive under the knob and let it dry. Then push the rubber knob back on. The friction of the glue under the knob will keep it in place.

Step 4: Wiring

Wire Routing:

- Be sure to route wires so that they cannot become tangled or caught in either a suspension part or steering part. Check movement of both steering and suspension before riding the bike.
- It is sometimes helpful to follow existing wire routing.

Electrical:

- Run the red and black power wires directly to the battery. The fuse will protect the system in the event of a short.
- Locate the power relay box in a safe location. Secure with a zip tie. It is a good idea to face the relay box with the wires coming out of the bottom. This helps keep everything dry.

(Continued on the next page)

Step 4: Wiring

Wiring Continued:

- Route the two black connectors for the lights to a convenient location where they will not interfere with steering or any other moving parts.
- Install the switch in a convenient location. Refer to the sticker on the switch for proper placement.
- Switch - Crimp spade lugs to red, yellow and black wires from relay box. Attach to corresponding tabs on switch. (See wiring diagram).
- Using Posi-tap, attach red (turn on wire) to a switched 12v wire. See wiring diagram for your motorcycle.
- Install connectors as shown in the wiring diagram on page 6.
- Note: extra crimp on connectors provided in connection kit for if you would like to shorten the wires.

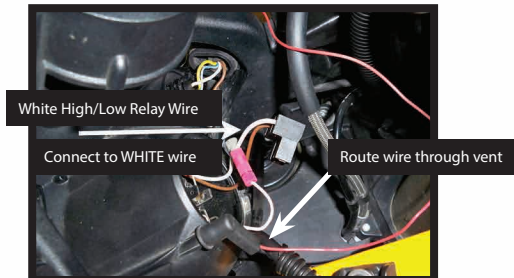
Horn Feature:

- Locate the Horn's hot (+) lead. This will make your lights flash to full when you sound your horn. Use a Posi-tap to connect one of the white wires from the relay box to this wire. It does not matter which white wire you use, both trigger the same way. If you do not want to use this feature, simply tuck the white wire away in a neat fashion.
- [See addendum for ground switching bikes.](#)

High Beam Feature:

- If you are going to install the high beam feature (and we hope you do) be sure to follow these instructions.
- Locate the high beam headlight wire. This will be on only when the high beam is illuminated. This will trigger the volume control knob to control the brightness of the lights. Connect the white wire from the volume control knob to this high beam circuit wire. See diagram for details.

Note: The image below is of a F800GS. The red high/low relay wire is now a white wire from the volume control knob.

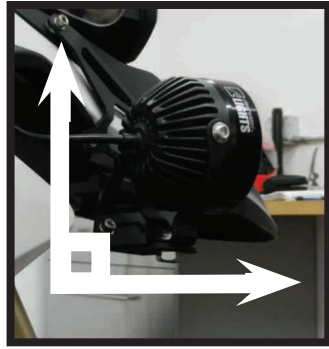


Step 5: Alignment

Aligning the Lights:

As Krista is designed as an auxiliary light, adjustment is up to the user depending on his needs. Ask an assistant to help you with this procedure.

Make sure the bike is on level ground and have an assistant sit on the bike. With a right angle board or object, position the board on the floor and slide it up to the light. The goal is to adjust the lights so that the light is level with the ground.



Passengers and luggage may alter the alignment of the light, so further adjustments may be needed. You may find that a slight downward angle (5 degrees) is helpful. Often times it is helpful to angle the right side light toward the right side of the road. This helps with identifying road terrain and potential critters.

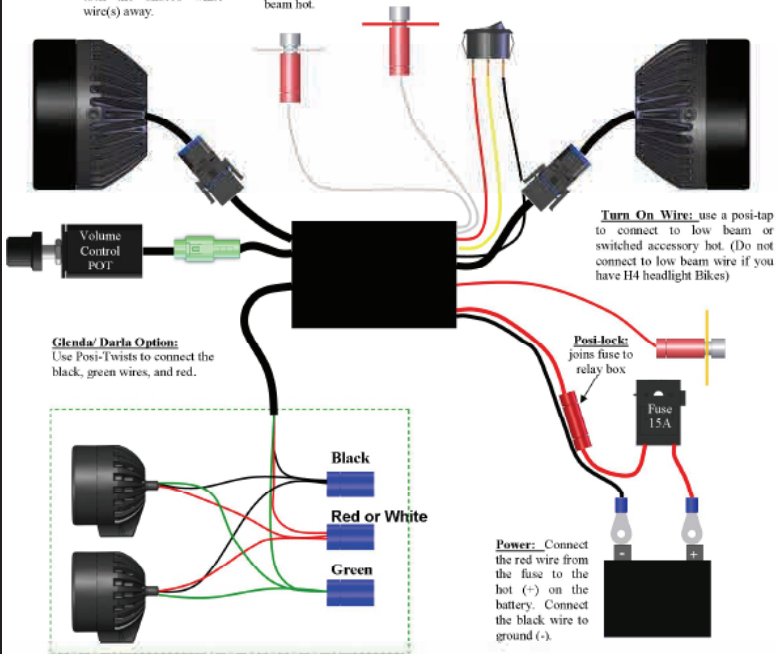
Wiring Diagram for Krista/ Erica/Sevina

Note: it does not matter which white wire you hook up to the horn or high beam. Both trigger the same way. If you do not want the high beam or horn option, just simply tuck the unused white wire(s) away.

High Beam Option: use a posi-tap to connect one of the white wires to the high beam hot.

Horn Option: use a posi-tap to connect the other white wire to the horn hot.

Switch: Connect the Yellow wire marked "Switch Lead" to the "load" terminal (Middle terminal) on the switch. Connect the Red wire marked "12V+ to switch" to the "supply" terminal (Opposite side of the LED light terminal) on the switch. Connect the Black wire marked "Ground" to the "earth" terminal (Under the LED light terminal) on the switch.



Thank you for purchasing your **Clearwater Lights**. We hope this product will help make you a safer rider. Please feel free to send us comments or suggestions at any time. We learn from you. Visit our website for more exciting products to help you see better at night.

Ride safe!

Sincerely,

Glenn and the team at Clearwater.



The Clearwater Company - 11305 Sunrise Gold Circle, Suite D
Rancho Cordova, CA 95742
Phone: (916) 852-7029 | Fax: (916) 852-9410 | www.clearwaterlights.com

Version 2.2 | 4/29/16