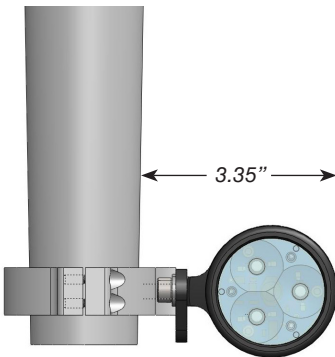
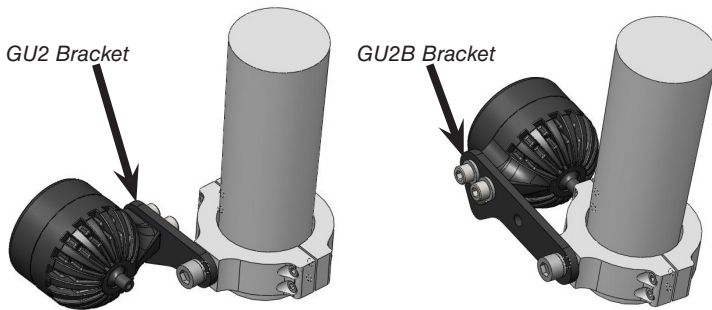
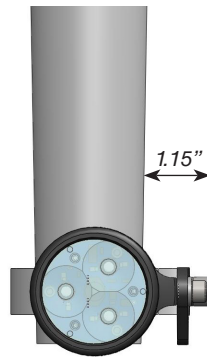


Installing the Off-Road Option

- Because of the high demand from riders who take bikes such as the BMW 1150-1200GS off-road, we have developed a different mounting option to protect the lights in close quarter trail situations.
- Instead of mounting the lights on the outside of the forks with a standard *GU2* bracket, use a *GU2-B* bracket in order to extend the light forward giving it clearance to be mounted on the inside of the fork.
- By moving the lights to the inside of the forks, the safety triangle is lessened, but the lights are moved closer to the bike and more protected from oncoming debris.



GU2 Bracket Installation



GU2B Bracket Installation