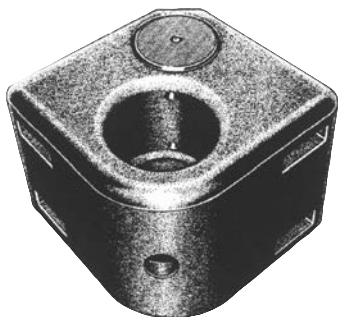
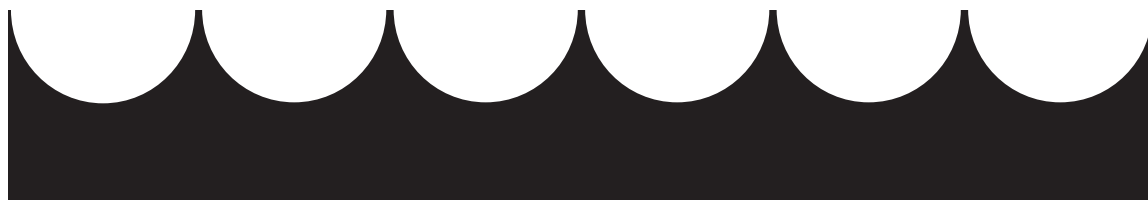


EquiFount



INSTALLATION INSTRUCTIONS AND SPECIFICATIONS FOR MODEL 1100 & 1200

READ CAREFULLY

MIRACO

A DIVISION OF
AHRENS AGRICULTURAL INDUSTRIES, INC.
BOX 686
GRINNELL, IOWA 50112
PHONE 641-236-5822
TOLL FREE 1-800-541-7866
FAX 1-641-236-3341
www.Miraco.co

SPECIFICATIONS

PART 1 - GENERAL

A. DESCRIPTION:

1. EquiFount is designed for small numbers of livestock to be bolted on a wall in the corner. A pressurized water source is required. Electrically heated model available #1100.

B. WEIGHTS & DIMENSIONS:

Model #	Gallons	Description	Dimensions		Weight
1100	1	Non-heated	16" x 16" x 14"	40.64 x 40.64 x 35.56 cm	16#
1100	1	Heated	16" x 16" x 14"	40.64 x 40.64 x 35.56 cm	16#
1200	1	Wallmount	16" x 16" x 14"	40.64 x 40.64 x 35.56 cm	17#
1200	1	Electric Wallmount	16" x 16" x 14"	40.64 x 40.64 x 35.56 cm	17#

C. MATERIAL NECESSARY FOR INSTALLATION:

1. 1/2" x 3" galvanized lags or bolts.
2. #834-5 insulated tube.

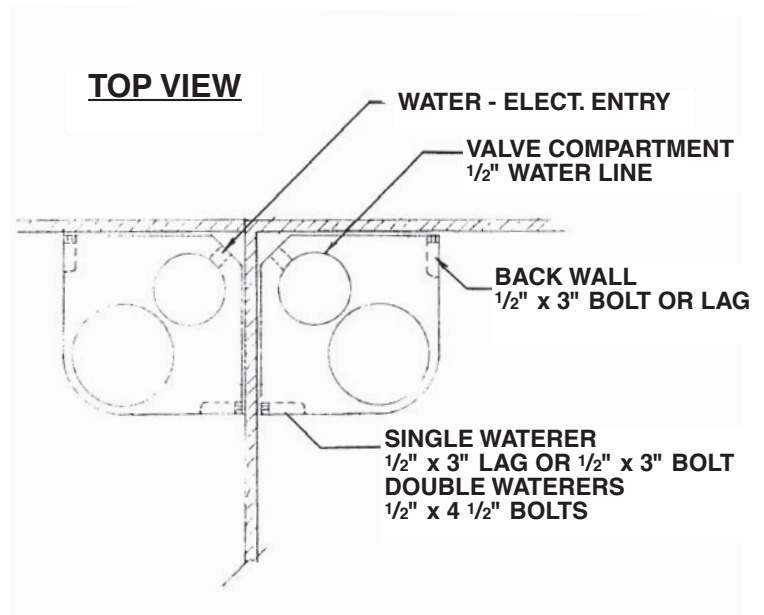
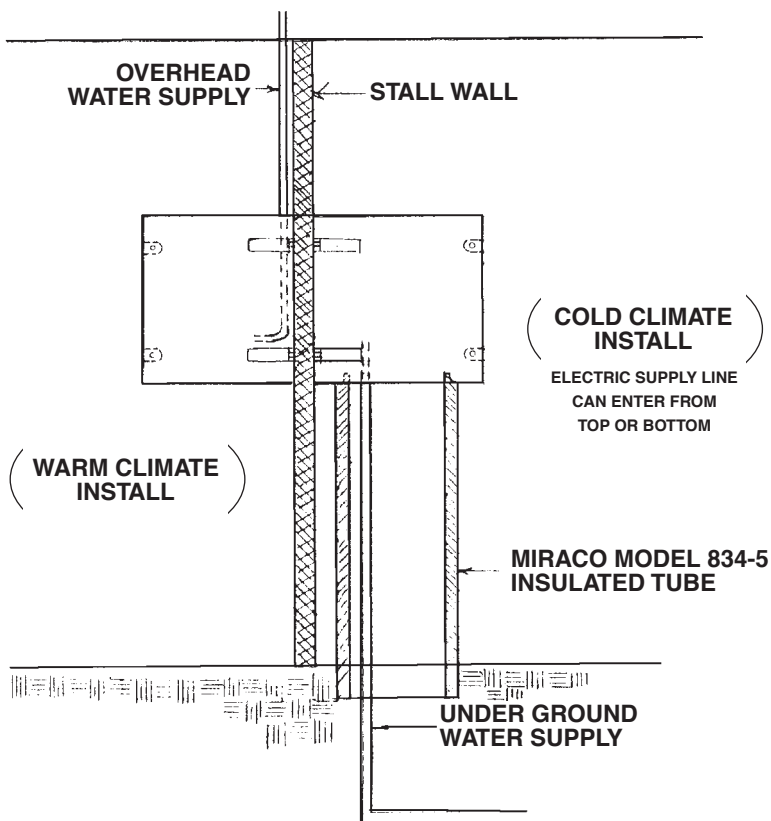
PART II - MATERIALS, PRODUCTS

A. MATERIALS:

1. Polyethylene.

B. VALVE:

1. Miraco plastic plunger style valve.



Warm Climate Use



Water line from above should be protected with the pipe sleeve or wood.

Use 1/2" x 3" lags or bolts (galvanized). Lags are easiest if there is nothing on the other side of the studs, otherwise use galvanized bolts. Put nuts on the inside.

Distance from the floor at the owner's discretion.

Cold Climate Use



Water lines should be buried below frost line, overhead lines need to be wrapped with heat tape.

Heat pad never comes in contact with water. Extremely safe for the animal.

Molded bottom fits together air tight.

Water line from below entering through an insulated tube #834-5 from Miraco.
#834-5 has access hole for shut off.

Partially bury below floor level, keeps water line frost free and protects water line.

Water Level Adjustment

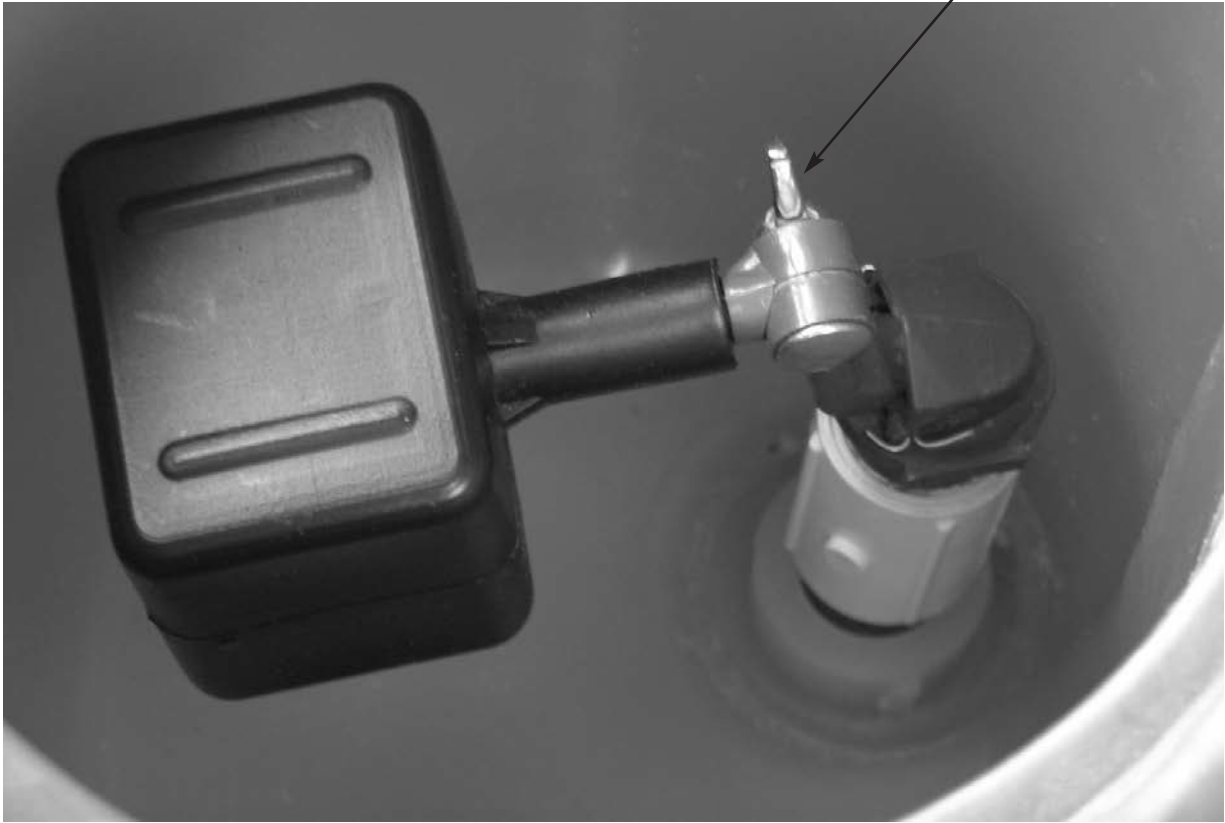
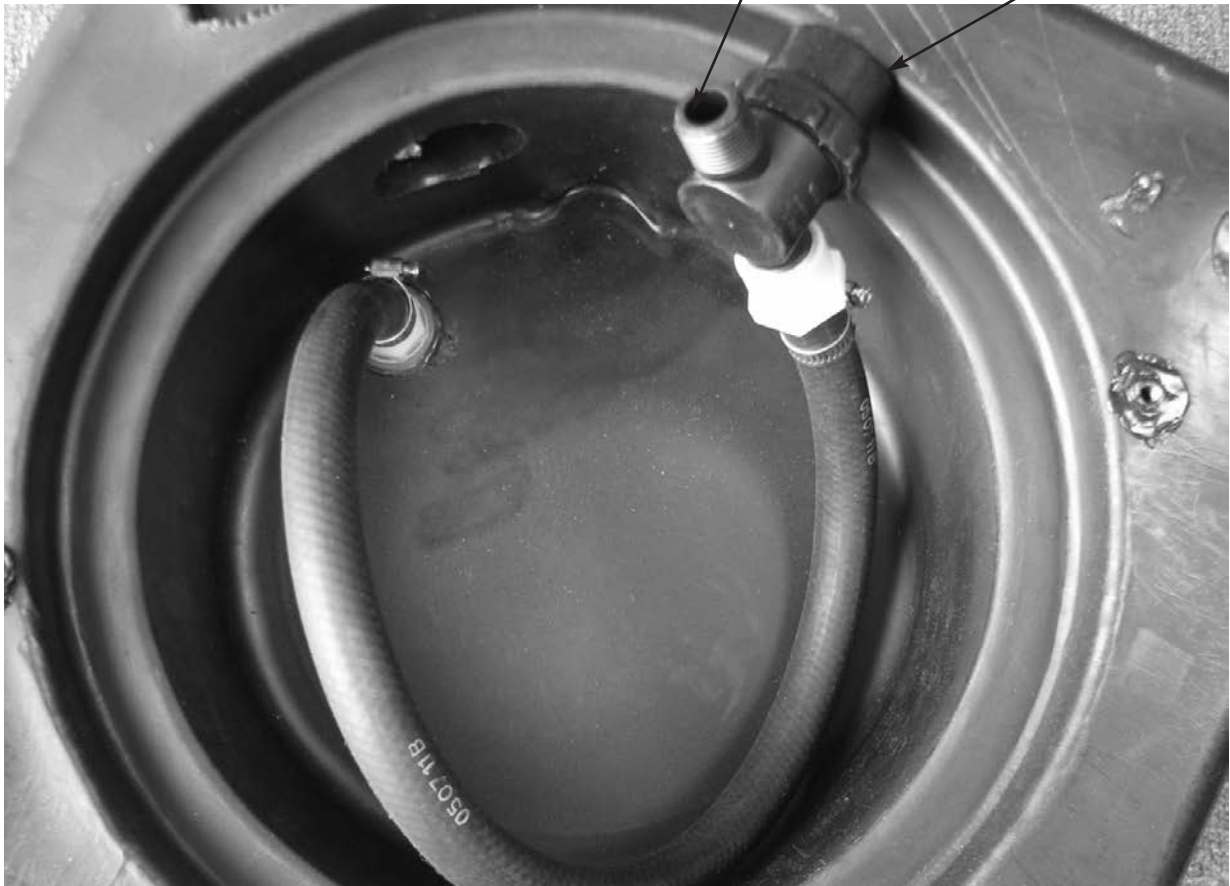


Photo From Underside Of Fount

Easy Hook Up 1/2" thread

Water Filter



When installing heat cable above do not wrap.