

SETUP GUIDE

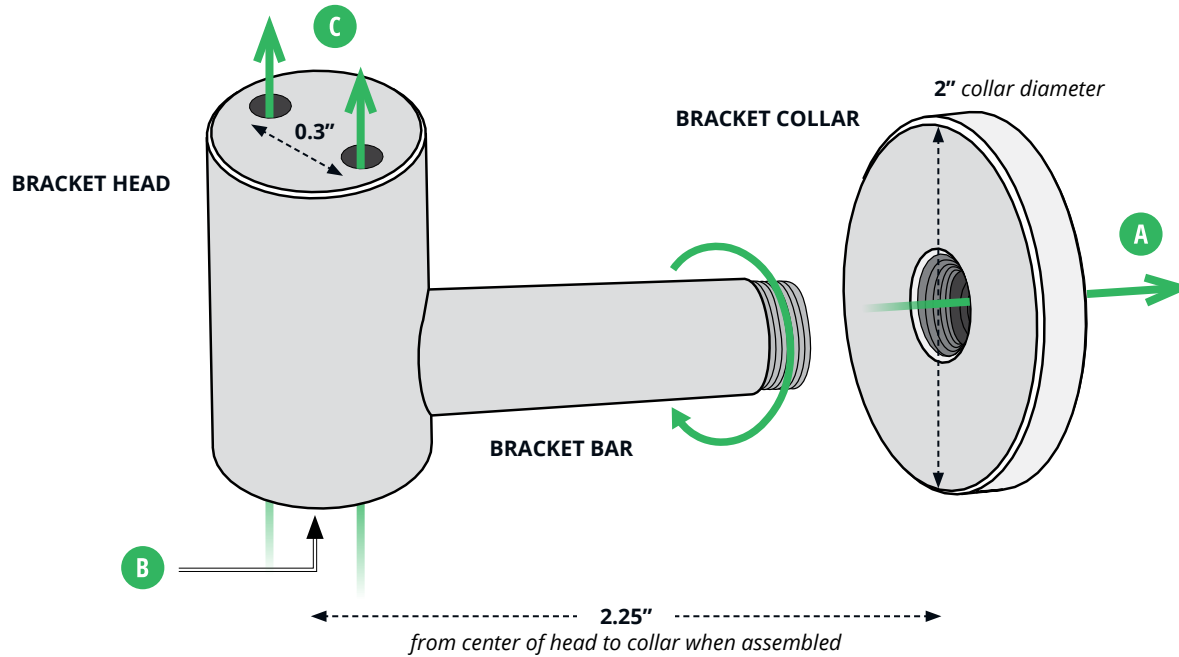
WALL MOUNTED HANDRAIL BRACKET

SKU #HRS-SS-WL-ASSY



INSTALL DEMO VIDEO

<https://youtu.be/olZHm1TVEEA>



TOOLS & SUPPLIES

- ❑ Drill (3/16 bit*)
- ❑ T30 x 6" star drive power bit*
- ❑ 1/8" Allen wrench*
- ❑ Mounting screw (included with bracket)*
- ❑ Handrail mounting screws (included with bracket)*
Signature series handrail: 11/64" pilot hole
Venture series handrail: 3/16" pilot hole

* available at www.cablebullet.com

HOW TO INSTALL THE WALL MOUNTED BRACKET

- 1 | Mount the bracket collar to the wall at the desired location by drilling a 3/16" pilot hole and driving a Cable Bullet mounting screw **A** through the center of the collar with a T30 star drive power bit.
- NOTE:** The bracket collar must be mounted to a stud or structural material.
- 2 | Attach the assembled bracket head and bar to the mounted collar by screwing it in by hand. All parts should assemble easily by hand.

- 3 | To pivot the bracket, loosen the 1/4-20 x 1/4" set screw **B** on the underside of the bracket head with an 1/8" Allen wrench and tighten at the desired angle.
- 4 | Attach your handrail by mounting it on top of the bracket head. Drill pilot holes (see recommended sizes under **Tools & Supplies**), and drive in 2 handrail mounting screws **C** through the underside of the bracket head.

GOT QUESTIONS? WE'RE HERE TO HELP!



WWW.CABLEBULLET.COM



INFO@CABLEBULLET.COM



574.742.2737