



POST PLACEMENT ON STAIR RUNS

IMPORTANT: It is the installer's responsibility to make certain the structure supporting your posts has no less than 3-1/2" of structural blocking.

FLOATING STAIRS (MONO STRINGER)

Stair treads that are supported by a center stringer.



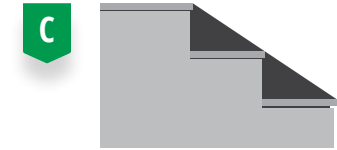
OPEN (CUTOUT/SAWTOOTH) STRINGERS

Stairs that are open on one or both sides. *More than 1/2" nosing (return) will require stand-off or notching tread!*



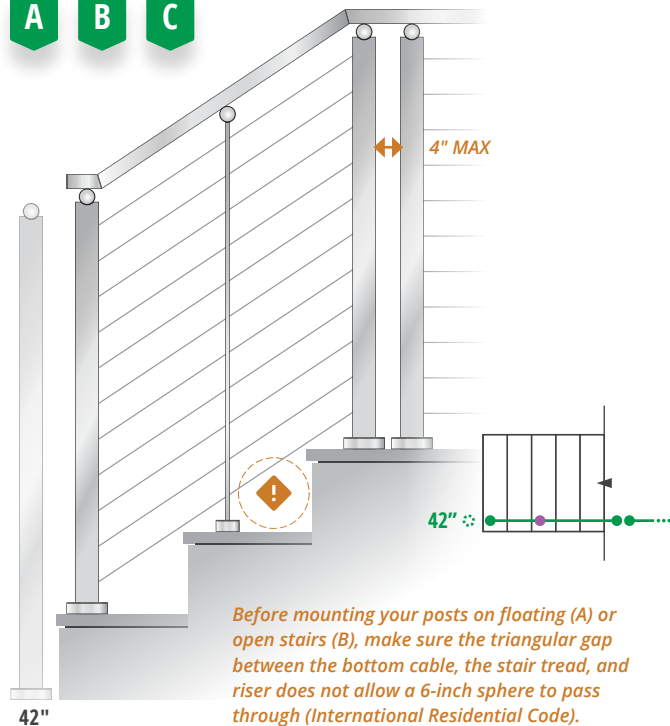
CLOSED (FINISHED) STRINGERS

Stairs are finished on either end by a trim/skirt board or knee wall. *NOTE: Cable Bullet posts do not have angled feet and cannot be mounted to a sloped knee wall!*



TOP MOUNT ONLY

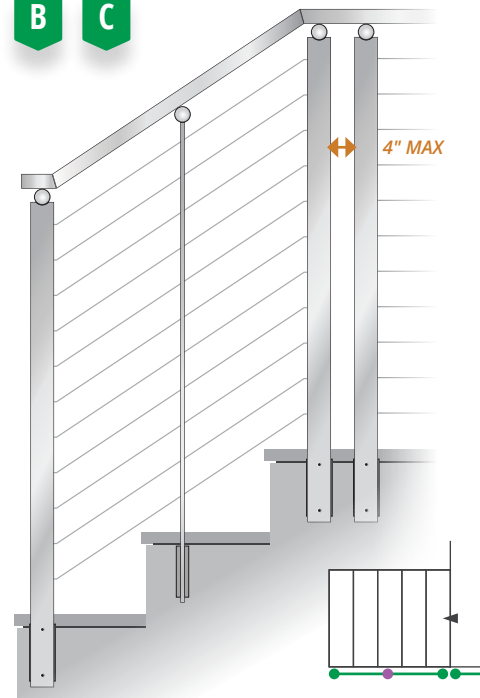
Recommended for Staircase Designs:



Before mounting your posts on floating (A) or open stairs (B), make sure the triangular gap between the bottom cable, the stair tread, and riser does not allow a 6-inch sphere to pass through (International Residential Code).

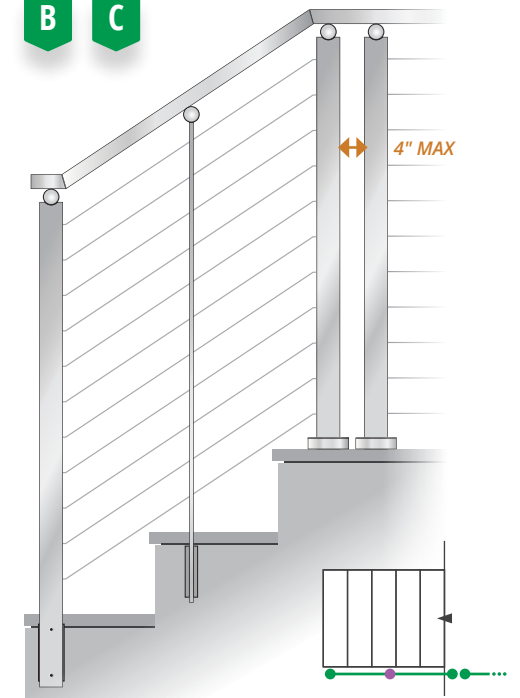
SIDE MOUNT ONLY

Recommended for Staircase Designs:



TOP-TO-SIDE MOUNT

Recommended for Staircase Designs:





POST PLACEMENT ON L-SHAPED STAIR RUNS

IMPORTANT: It is the installer's responsibility to make certain the structure supporting your posts has no less than 3-1/2" of structural blocking.

FLOATING STAIRS (MONO STRINGER)

Stair treads that are supported by a center stringer.



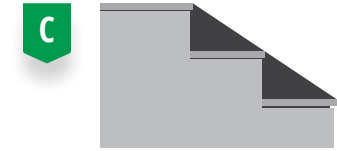
OPEN (CUTOUT/SAWTOOTH) STRINGERS

Stairs that are open on one or both sides. *More than 1/2" nosing (return) will require stand-off or notching tread!*



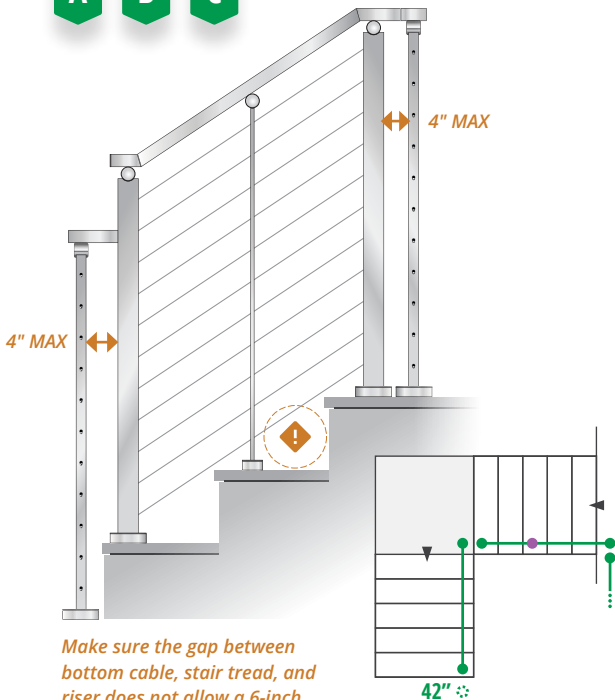
CLOSED (FINISHED) STRINGERS

Stairs are finished on either end by a trim/skirt board or knee wall. *NOTE: Cable Bullet posts do not have angled feet and cannot be mounted to a sloped knee wall!*



TOP MOUNT ONLY

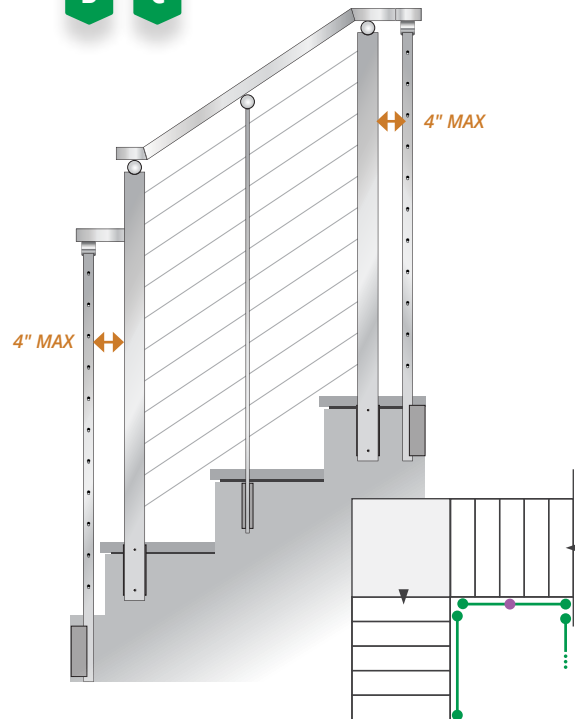
Recommended for Staircase Designs:



Make sure the gap between bottom cable, stair tread, and riser does not allow a 6-inch sphere to pass through (IRC).

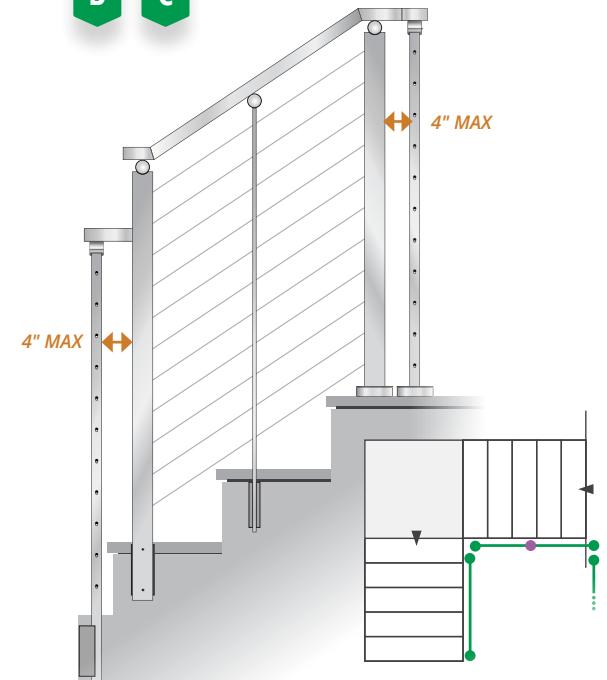
SIDE MOUNT ONLY

Recommended for Staircase Designs:



TOP-TO-SIDE MOUNT

Recommended for Staircase Designs:





POST PLACEMENT ON U-SHAPED STAIR RUNS

IMPORTANT: It is the installer's responsibility to make certain the structure supporting your posts has no less than 3-1/2" of structural blocking.

FLOATING STAIRS (MONO STRINGER)

Stair treads that are supported by a center stringer.



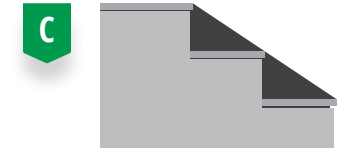
OPEN (CUTOUT/SAWTOOTH) STRINGERS

Stairs that are open on one or both sides. *More than 1/2" nosing (return) will require stand-off or notching tread!*



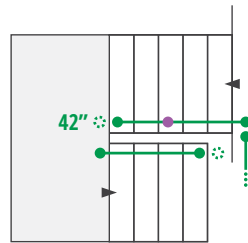
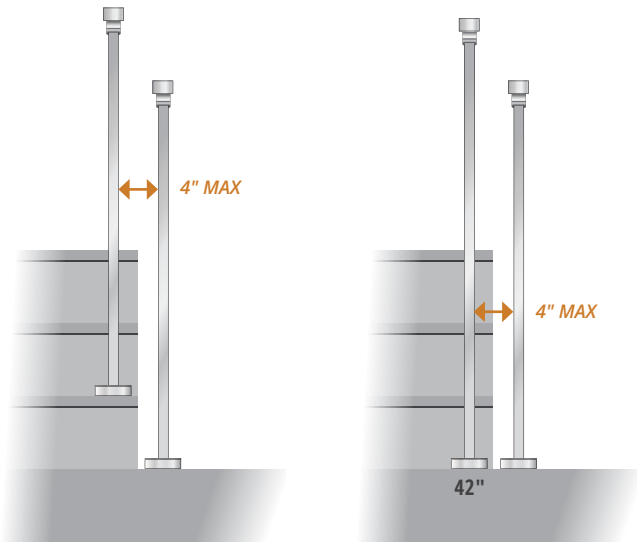
CLOSED (FINISHED) STRINGERS

Stairs are finished on either end by a trim/skirt board or knee wall. *NOTE: Cable Bullet posts do not have angled feet and cannot be mounted to a sloped knee wall!*



TOP MOUNT ONLY

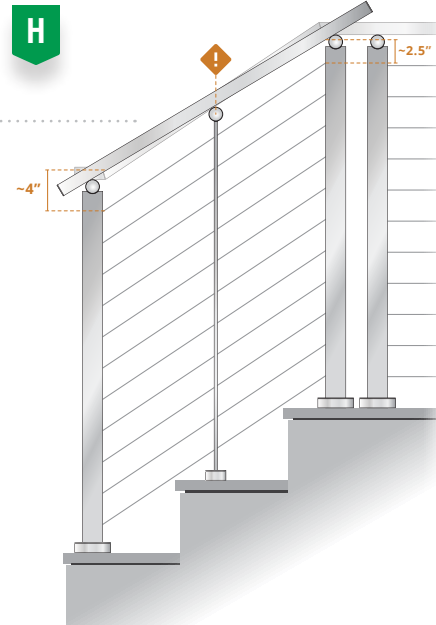
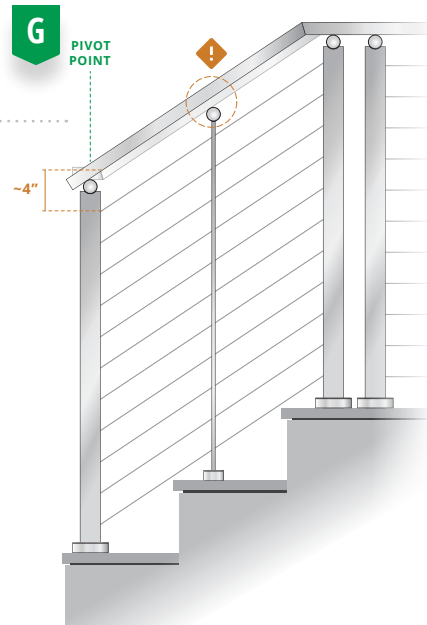
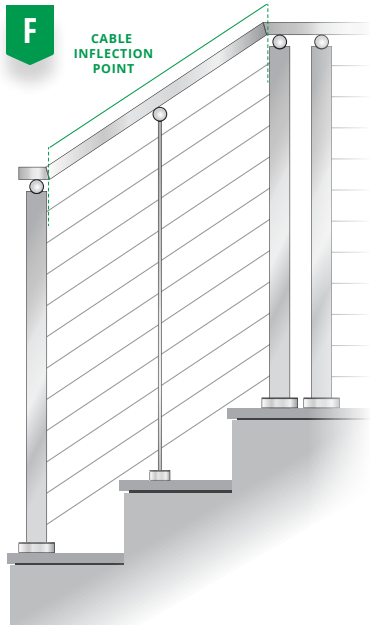
Recommended for Staircase Designs:





RAIL HEIGHT TRANSITIONS

FIGURE E Transition your handrail from 42 inches high on a level, to 36 inches high on a stair run, by using a 2-post configuration. Dead-end your handrail and insert an end cap.



HANDRAIL DESIGNS

FIGURE F is the preferred handrail design option. Breaking the handrail in line with the cable inflection point allows your handrail to always run parallel to your cables.

FIGURE G is optional on shorter runs that don't need intermediate support posts (7-8 ft max.). Extend your handrail past the cable inflection point.

FIGURE H is not recommended as it will result in an irregular gap between your handrail and cables at the top and bottom of your run.