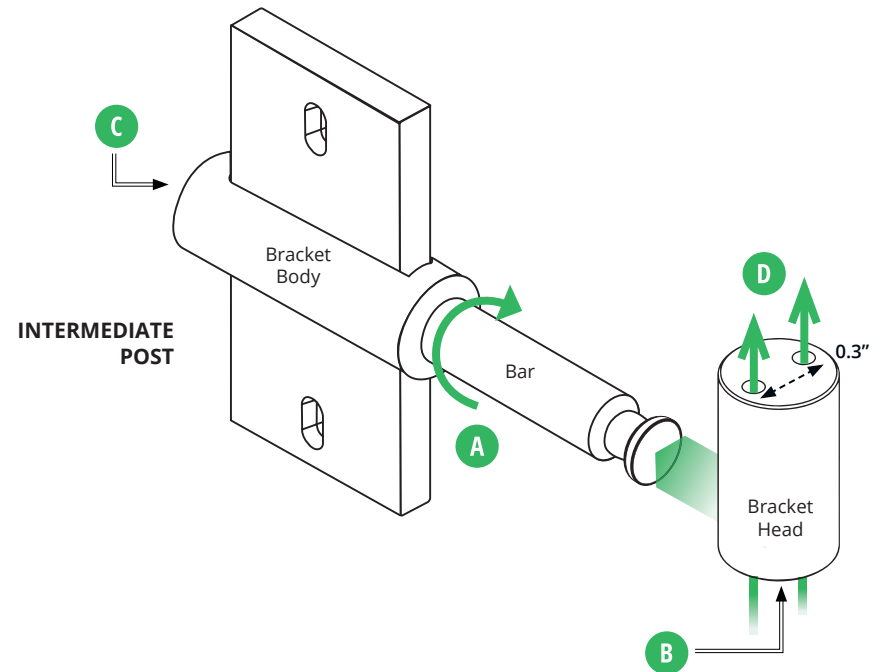
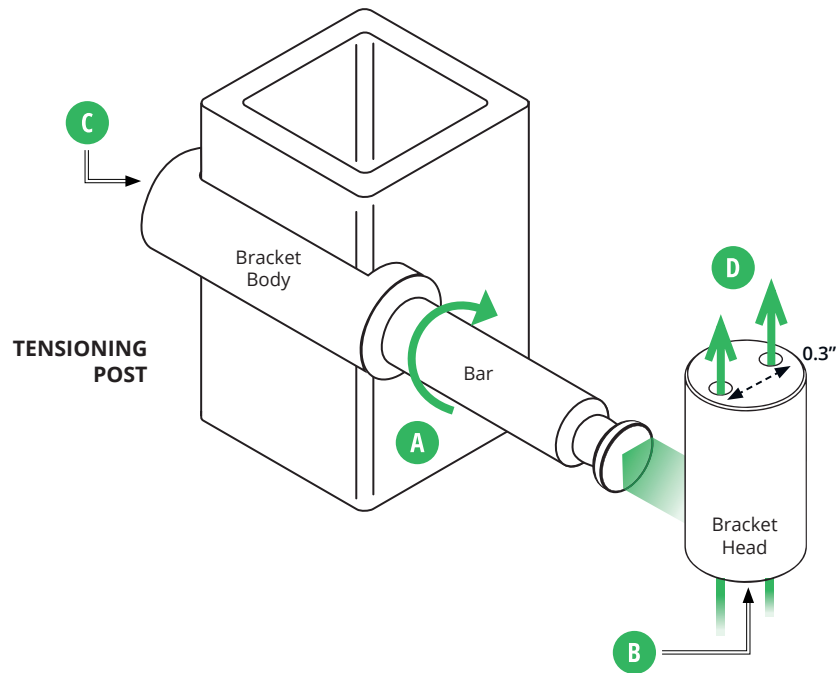


SETUP GUIDE

SIGNATURE SERIES POST MOUNTED HANDRAIL BRACKET

Tensioning Post Bracket | Intermediate Post Bracket



TOOLS & SUPPLIES

- Measuring tape
- 1/8" Allen wrench*
- 3/16" Allen wrench*
- Handrail mounting screws (included with bracket)

*available at www.Cablebullet.com

HOW TO INSTALL THE POST MOUNTED BRACKET

- 1 | Screw the bar into the bracket body **A**.
- 2 | Slide the bracket head onto the bar, and use an 1/8" Allen wrench to tighten the 1/4-20 set screw **B** on the underside of the bracket head. Adjust the set screw as needed to set the angle of your handrail.
- 3 | Slide the bracket onto the post and find the desired height of your handrail by measuring from the floor to the top of the bracket head.

NOTE: On intermediate posts, you'll need to install the handrail brackets BEFORE installing the cables.

- 4 | Secure the bracket against the post by tightening the set screw on the back of the assembly **C** with a 3/16" Allen wrench.
- 5 | Attach your handrail by mounting it on top of the bracket head. For signature series aluminum handrail, drill 11/64" pilot holes, and drive in 2 handrail mounting screws **D** through the underside of the bracket head.

GOT QUESTIONS? WE'RE HERE TO HELP!



WWW.CABLEBULLET.COM



INFO@CABLEBULLET.COM



574.742.2737